

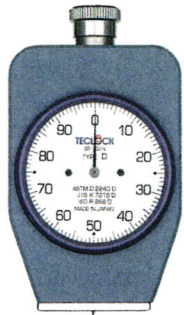


Analog

Digital

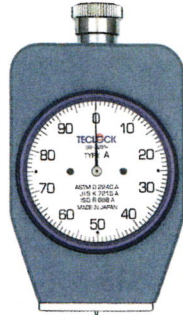
Compliance with JIS K 7215 standard Durometers for hardness test of plastic

This standard is prescribed by plastic industry in Japan apart from testing method of hardness of rubber. This is basically equal to Durometer of JIS K 6253, as only its round up method of spring load value etc. is different. But we distinguish model name as another Durometer according to the view of conformity to standard.



GS-702N

Type D Durometer
Plastics
Hard rubber



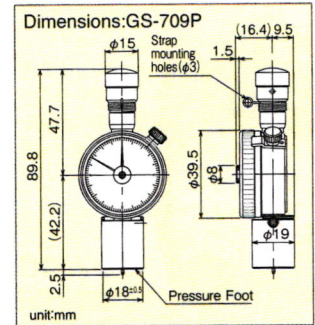
GS-709N

Type A Durometer
General rubber
Soft plastic



GS-709P

Type A Durometer
Peak pointer type
Pocket type



Specifications

Model	Type	Application / Materials	Conform Standards	Spring Load Value 0-100	Indenter Shape (mm)	Indenter Height(mm)	Weight (g)
Analog	GS-702N	Plastics / Hard rubber	JIS K 7215	0-44483mN (0-4536gf)	Conical Cone of R0.1 with 35° angle	2.50	200
	GS-702G	Plastics / Hard rubber		0-44483mN (0-4536gf)	Conical Cone of R0.1 with 35° angle	2.50	208
	GS-709N	Soft plastic / General rubber	ASTM D 2240	549-8061mN (56-822gf)	Truncated Cone of φ 0.79 with 35° angle	2.50	200
	GS-709G	Soft plastic / General rubber		549-8061mN (56-822gf)	Truncated Cone of φ 0.79 with 35° angle	2.50	208
	GS-709P	Soft plastic / General rubber		JIS K 7215	550-8050mN (56.1-821.1gf)	Truncated Cone of φ 0.79 with 35° angle	2.50
Digital	GSD-719K	Soft plastic / General rubber	JIS K 6253, JIS K 7215, ISO 7619, ISO 868, ASTM D 2240	549-8061mN (55-822gf)	Truncated Cone of φ 0.79 with 35° angle	2.50	313
	GSD-720K	Plastics / Hard rubber		0-44450mN (0-4533gf)	Conical Cone of R0.1 with 35° angle	2.50	313

Compliance with JIS K 7312 standard Thermosetting Poly urethane Estolamer Moldings Physical Test

Analog

Digital



GS-701N

Type C (ASKER)
Soft rubber
for Windings yarn

Standard about physical test method of polyurethane Elastomer. One of the test items is hardness test and rubber industry generally calls type A durometer "shore-A" and type D durometer "shore- D". In addition, type C for low hardness range is called ASKER and GS-701N(G) is the same product ASKER-C. It complies with hardness test of JIS S 6050 "Plastic eraser ". Furthermore, SRIS 0101 (ex Society of Rubber Industry, Japan standard of Measure), which was the base of these standard was already discontinued, but only type name is remained.

Specifications

Model	Type	Application / Materials	Conform Standards	Spring Load Value 0-100	Indenter Shape (mm)	Indenter Height(mm)	Weight (g)
Analog	GS-701N	Soft rubber, Foam rubber	JIS K 7312	539-8385mN (55-855gf)	Hemisphere of SR5.08	2.54	200
	GS-701G			539-8385mN (55-855gf)	Hemisphere of SR5.08	2.54	208
Digital	GSD-701K	Eraser, Windings yarn	JIS S 6050	539-8385mN (55-855gf)	Hemisphere of SR5.08	2.54	313