

VD84 - Compact Vacuum Meter with Datalogger Pirani

Absolute Pressure 100 to 1×10^{-3} mbar



VD84 at a glance

- Temperature compensated Pirani sensor with durable helix filament
- External detachable sensor with stainless steel small flange DN 16 ISO-KF or 1/8"NPT male thread
- Excellent reproducibility
- Sensor protection against condensed solvents by metal shield
- Gas correction factors for correct pressure readings

Features of the VD8 product family

- Operation with battery or power supply for mobile use and fixed installation
- Display for direct reading of measurement data
- Data logger: save up to 2000 measurements in the vacuum meter
- Versatile and easy to use
- Operating modes: continuous operation for long-term measurements or automatic switch off for battery saving
- Setting option: storage of minimum and maximum pressures
- Long battery lifetime thanks to clocked measurements
- Pressure units mbar, Torr, hPa
- USB interface for easy push button data transfer to PCs, but no PC connection is necessary during measurements
- Easy configuration and readjustment of the vacuum meter by VacuGraph™ software or directly on the gauge
- VacuGraph™ Windows software to visualize, analyze and save measurements

VD84 - Compact Vacuum Meter with Datalogger Pirani

Absolute Pressure 100 to 1×10^{-3} mbar



Technical Data

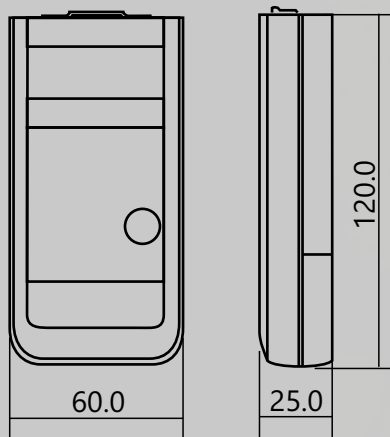
Measurement Principle	Heat conduction Pirani (gas type dependent)
Measurement Range	100 - $1e-3$ mbar (75 - $1e-3$ Torr)
Max. Overload	4 bar absolute
Accuracy	100 - 20 mbar: <30% f.r. (f. reading) 20 - $1e-2$ mbar: 10% f.r. (f. reading) < $1e-2$ mbar: < factor 2 (f. reading)
Resolution	100 - 10 mbar: 1 mbar < 10 mbar: 2 digits mantissa, 1 decimal place
Measurement Rate	1.0 s
Logging Rate	0.1 s, 1 ... 6000 s
Materials With Vac. Contact	Stainl. steel 1.4305, nickel, tungsten, glass
Operating Temperature	+5...+50 °C
Storage Temperature	-20...+60 °C
Power Supply	9 V battery or 12...15 VDC external
Power Consumption	Approx. 110mW (clocked)
Operating Time	Li-battery: <100h, 6LR61 Alkaline:<40h
Serial Interface	Mini-USB, Type B, 5pin, female, Virtual Com Port protocol
Electrical Connection	Mini-jack 2.5 mm for plug-in power supply
Vacuum Connection	Stainless steel small flange DN16 ISO KF or 1/8" male thread
Display	LCD 12 mm
Protection Class	IP40
Weight	Approx. 200 g (battery included)

VD84 - Compact Vacuum Meter with Datalogger Pirani

Absolute Pressure 100 to 1×10^{-3} mbar

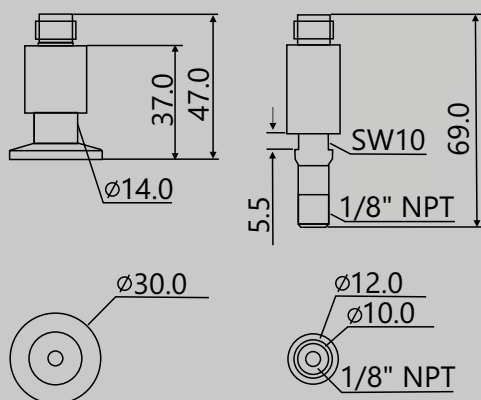


Dimensions in mm



Model designations

- VD84/1 Compact vacuum meter with probe type VSP841 DN 16 ISO-KF flange
- VD84/2 Compact vacuum meter with probe type VSP842 1/8" NPT male thread
- VSP841 Passive (external) Pirani sensor DN 16 ISO-KF flange
- VSP842 Passive (external) Pirani sensor 1/8" NPT male thread



Accessories

- VD8ZUB accessory set consisting of:
 - VD8CASE protective plastic case
 - VD8N4 power supply 15 V, incl. change-over plug, EURO, US, UK, AUS
 - VD8ALK alkaline battery 9 V (vacuum tested);
 - WUSB0002 interface cable, 2 m, USB;
 - VGR VacuGraph Windows® software

For further accessories and information see our VD8 brochure.

VD84 - Compact Vacuum Meter with Datalogger Pirani

Absolute Pressure 100 to 1×10^{-3} mbar



Thyracont Vacuum Instruments GmbH

Max-Emanuel-Straße 10

94036 Passau, Germany

Phone: +49 (0)851 95986 0

Email: info@thyracont-vacuum.com

Alterations reserved, version 20171127