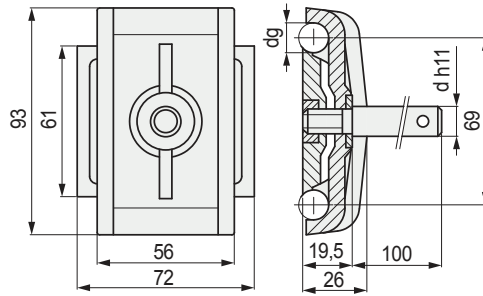


for round steel Rods

Part. S0071



Double guide-rail clamp



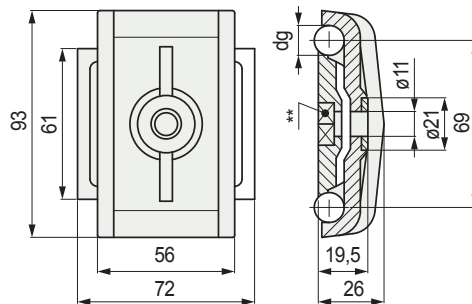
pin dia. d mm	Guide dia. dg mm	Code	Weight kg
12	10	677252	0,20
	12	50960	
14	10	677262	0,22
	12	50970	
16	10	677272	0,26
	12	50980	

- Material: guide rail clamp in reinforced polyamide PA FV (black).
- Pin in austenitic stainless steel.
- Washer in austenitic stainless steel.
- Nut in nickel plated brass.
- Packaging: 50 pieces.

Part. S0070



Double guide-rail clamp



** = Seat for nut M10 UNI 5588

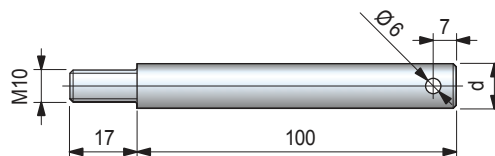
Pin dia. d mm	Code	Weight kg
10	677242	0,09
12	50950	

- Material: guide rail clamps in reinforced polyamide PA FV (black).
- Washer in austenitic stainless steel.
- State of supply: supplied without tightening nut.
- Packaging: 50 pieces.
- Accessories: swivel pin connection Part. S0740 - S0740P.

Part. S0000



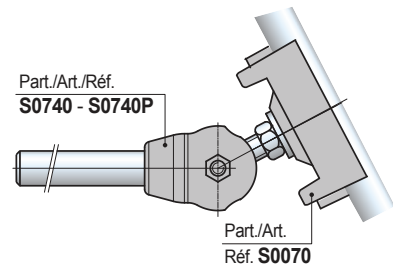
Rod for Part. S0070



Pin dia. d mm	Code	Weight kg
12	65794	0,11
14	66004	0,14
16	66654	0,18

- Material: austenitic stainless steel.
- Packaging: 50 pieces.

- **Swivel pin connection** Part. S0740 - S0740P
Use for conveyors with (format change).
They allow an easy regulation of product-guides on corner tracks.
See page S112.



● Best Seller

● Standard

● On request: minimum quantity may apply. Consult our Customer Service for availability.

Item code for order = Part. + Code