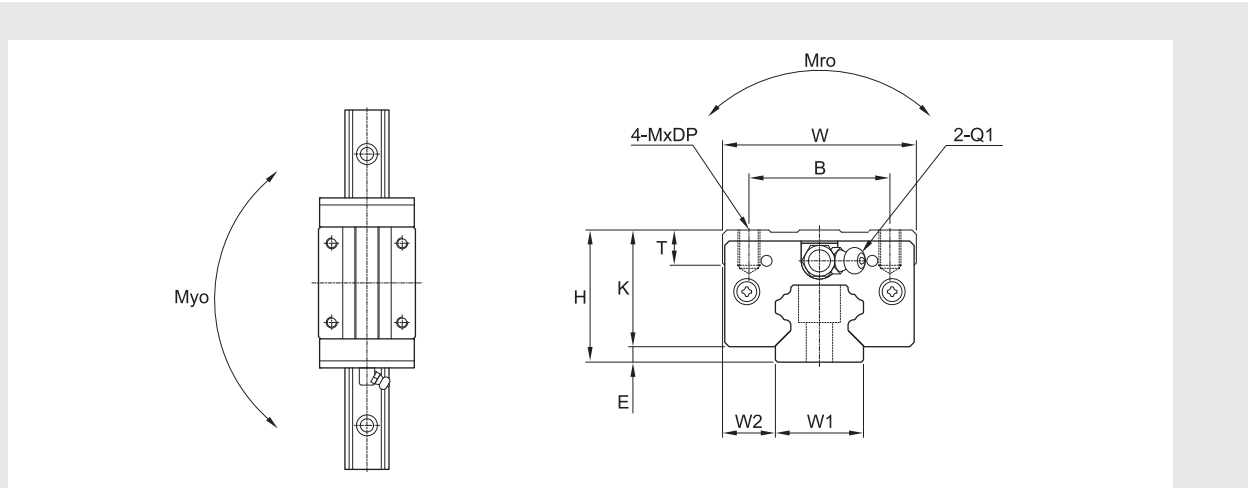


Linear Rail System

SBG Standard Linear Rail System

SBG-SL/SLL

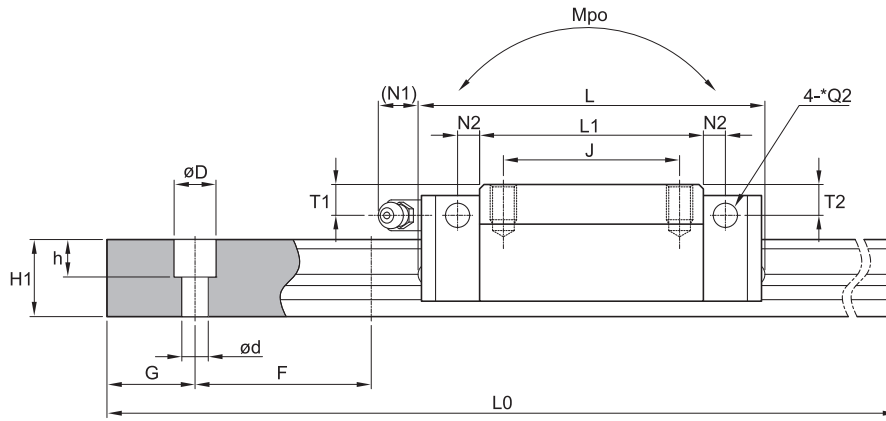


Model	Mounting dimension				Block dimensions												
	H	W	L	E	Mounting tap hole				L1	T	K	Grease fitting					
					B	J	M	DP				T1	N1	T2	N2	Q1	*Q2
SBG15 SL	28	34	60.8	3	26	26	M4	5	38.8	8	25	8	5.5	8.5	4.5	M4x0.7	Ø3.5
SBG20 SL	30	44	77.2	3.5	32	36	M5	8	50.8	8	26.5	7	12	7	5	M6x0.75	Ø5.5
SBG20 SLL	30	44	93.2	3.5	32	50	M5	8	66.8	8	26.5	7	12	7	5	M6x0.75	Ø5.5
SBG25 SL	40	48	86.9	6.5	35	35	M6	8	59.5	12	33.5	12.2	12	12.1	5.5	M6x0.75	Ø5.5
SBG25 SLL	40	48	106.4	6.5	35	50	M6	8	79	12	33.5	12.2	12	12.1	5.5	M6x0.75	Ø5.5
SBG30 SL	45	60	100	7	40	40	M8	10	70.4	12	38	11.5	12	11.5	5.5	M6x0.75	Ø5.5
SBG30 SLL	45	60	122.5	7	40	60	M8	10	92.9	12	38	11.5	12	11.5	5.5	M6x0.75	Ø5.5
SBG35 SL	55	70	112.6	7.5	50	50	M8	12	80.4	15	47.5	15	12	15	6	M6x0.75	Ø5.5
SBG35 SLL	55	70	138.1	7.5	50	72	M8	12	105.9	15	47.5	15	12	15	6	M6x0.75	Ø5.5
SBG45 SL	70	86	140.4	10	60	60	M10	13	98	15	60	15	16.5	20	8	PT1/8	Ø8.5
SBG45 SLL	70	86	172.4	10	60	80	M10	13	130	15	60	15	16.5	20	8	PT1/8	Ø8.5
SBG55 SL	80	100	164.8	13	75	75	M12	18	118	18	67	18	16.5	20.5	10	PT1/8	Ø8.5
SBG55 SLL	80	100	202.8	13	75	95	M12	18	156	18	67	18	16.5	20.5	10	PT1/8	Ø8.5
SBG65 SL	90	126	195.2	17.5	76	70	M16	20	147	23	72.5	23	16.5	12	10	PT1/8	Ø8.5
SBG65 SLL	90	126	255.2	17.5	76	120	M16	20	207	23	72.5	23	16.5	12	10	PT1/8	Ø8.5

① C (Basic dynamic load rating), Co (Basic static load rating)

Linear Rail System

SBG Standard Linear Rail System



(Unit : mm)

Rail dimension									Basic load rating [kN]		Permissible static moment [kN · m]			Mass	
W1	W2	H1	F	Bolt hole			G	Max length of rail L0	C	Co	Mro	Mpo	Myo	Block [kg]	Rail [kg/m]
				d	D	h									
15	9.5	15	60	4.5	7.5	5.3	20	3000	8.33	13.4	0.07	0.05	0.05	0.2	1.45
20	12	17.5	60	6	9.5	8.5	20	4000	14.2	25	0.22	0.18	0.18	0.33	2.2
20	12	17.5	60	6	9.5	8.5	20	4000	16.9	36.5	0.28	0.31	0.31	0.45	2.2
23	12.5	21.8	60	7	11	9	20	4000	20.9	39.2	0.35	0.31	0.3	0.56	3.1
23	12.5	21.8	60	7	11	9	20	4000	24.6	48	0.43	0.49	0.48	0.73	3.1
28	16	25	80	9	14	12	20	4000	29.2	53.8	0.59	0.49	0.48	0.98	4.45
28	16	25	80	9	14	12	20	4000	35.3	67.9	0.74	0.79	0.78	1.28	4.45
34	18	29	80	9	14	12	20	4000	38.8	68.6	0.94	0.74	0.72	1.63	6.4
34	18	29	80	9	14	12	20	4000	46	90.4	1.24	1.3	1.28	2.12	6.4
45	20.5	38	105	14	20	17	22.5	4000	61.6	110.6	1.98	1.56	1.54	2.96	11.25
45	20.5	38	105	14	20	17	22.5	4000	75.5	138.5	2.45	2.33	2.3	3.75	11.25
53	23.5	45	120	16	23	20	30	4000	91.2	156.9	3.37	2.69	2.65	4.52	15.25
53	23.5	45	120	16	23	20	30	4000	111.8	196.6	4.19	4.05	3.97	5.68	15.25
63	31.5	58.5	150	18	26	22	35	4000	147.9	240.1	6.17	4.85	4.75	7.43	23.9
63	31.5	58.5	150	18	26	22	35	4000	189.1	320.4	8.18	8.34	8.14	12.05	23.9

② *Q2: The hole of side grease nipple is not made to prevent a foreign substance from going into inside. When you order the side grease nipple, we build it by ourselves.