

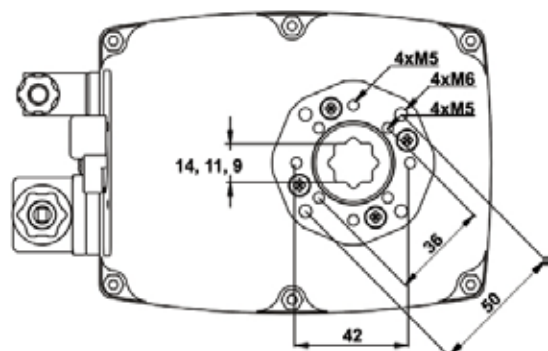
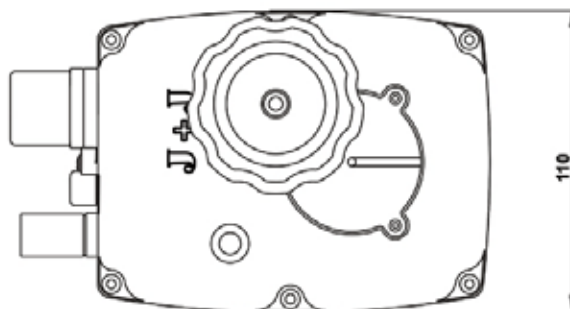
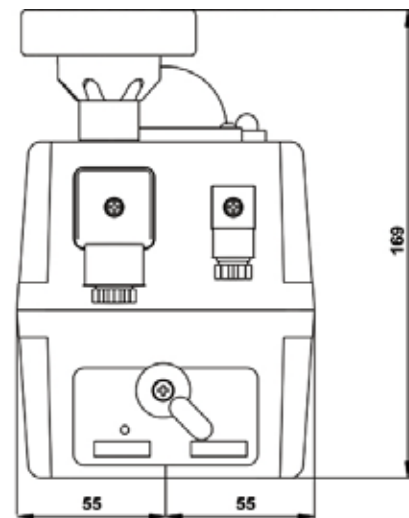
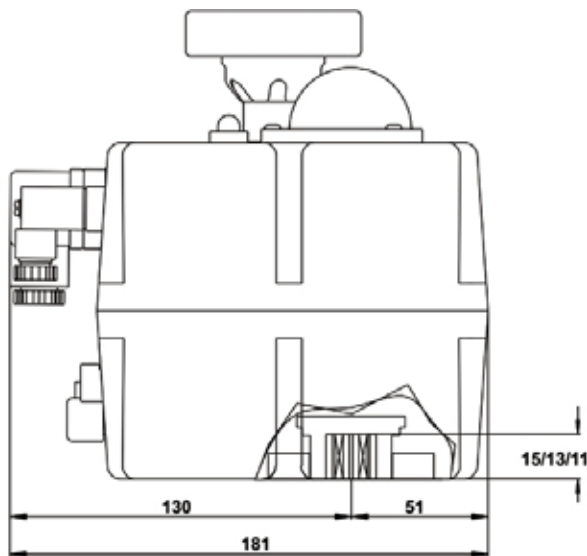
J3C S20

IP67

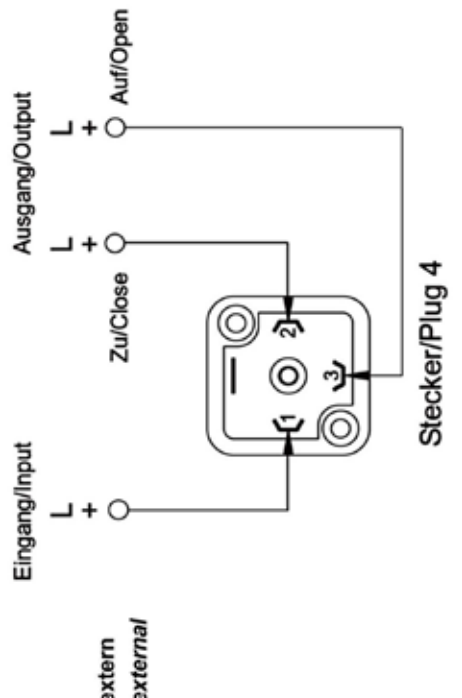
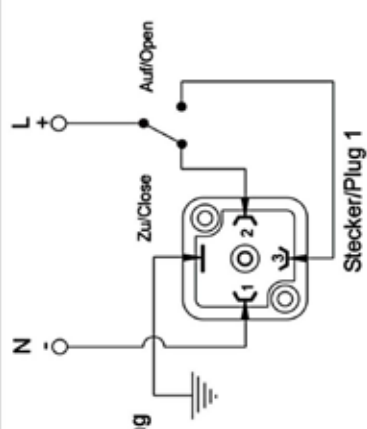
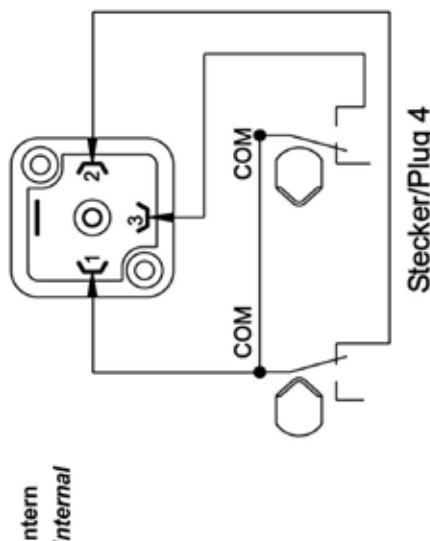
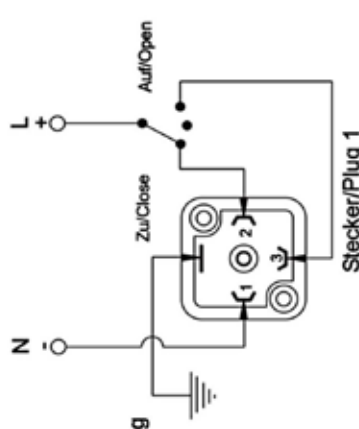
Compact actuator for regulation and control of valves. Equipped with extra limit switches (ELS), handwheel, dome. Valve-Interface according ISO 5211/DIN 3337, connectors, heater, electronic limiter.

technical dates

voltage range	24 - 240 V AC/DC (50/60 Hz)
current consumption	0,1 A - 1,2 A
operating time s/90°	10 s ± 10%
heater	3,5 W
break torque	25 Nm
operational torque	20 Nm
duty rating [ED]	75%
protection class	IP67
temperature range	-20 °C to 70 °C
flange	F03/F04/F05 - F07 via kit
double square connectors	9 mm, 11 mm, 14 mm
housing	polyamide (PA6)
ELS	5 A 125 V AC / 3 A 250 V AC
optional features	failsafe battery pack (BSR), DPS digital positioning system, potentiometer, 3 positions actuator, 4 positions actuator, with 2 phases selection - optional NO or NC



wiring diagram

<p>Potentialfreie Endlagen / potentialfree limit switches</p>	<p>Power Standard</p>
<p>extern external</p> 	<p>AC/DC 2 Punkt Regelung 2 point control</p> 
<p>intern internal</p> 	<p>AC/DC 3 Punkt Regelung 3 point control</p> 
	<p>DC 2 Draht 2 wires</p> 