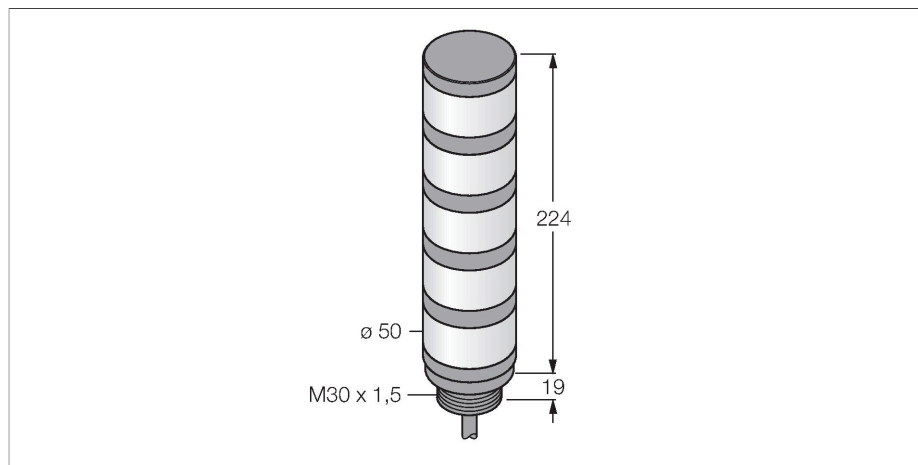


TL50WBGYR

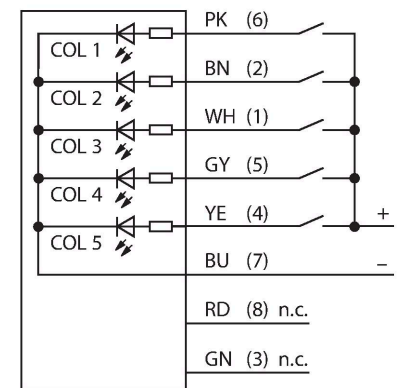
LED Indicator – Tower Light



Features

- Black plastic housing
- EMI and RFI immune
- Protection class IP67
- Cable 2 m
- Multicolor: White (COL 1) / Blue (COL 2) / Green (COL 3) / Yellow (COL 4) / Red (COL 5)
- Operating voltage: 18...30 VDC or 24 VAC with 45 mA per LED color
- Inputs: PNP/NPN

Wiring diagram



Functional principle

The TL50 tower lights provide highly visible status indicators and a clear user guidance within the entire system. They can be assembled from varicolored LEDs and are available with or without beeper. You can mount them directly on machines, in the cabinet or in monitoring locations of production lines.

The wiring diagram shows a PNP pin assignment.

There are 10 colors available blue (B), green (G), red (R), yellow (Y), white (W), turquoise (T), orange (O), violet (V), sky blue (S) and magenta (M), which specify the light sequence from bottom to top in the type code of the tower light. Example: TL50GYRQ, colors green, yellow and red arranged from bottom to top.

Technical data

| | |
|------------------------------------|---|
| Type | TL50WBGYR |
| ID | 3083225 |
| Signal and display data | |
| Purpose | LED indicator light |
| Function | Tower light |
| Light type | White Blue Green Yellow Red |
| Dimmable | no |
| Features of color 1 | White, Permanently on, 21 lm |
| Features of color 2 | Blue, Permanently on, 4.5 lm |
| Features of color 3 | Green, Permanently on, 23 lm |
| Features of color 4 | Yellow, Permanently on, 5 lm |
| Features of color 5 | Red, Permanently on, 7.5 lm |
| Electrical data | |
| Operating voltage | 18...30 VDC |
| DC rated operational current | ≤ 45 mA |
| Operating voltage | 21...27 VAC |
| AC rated operational current | ≤ 45 mA |
| Max. current consumption per color | 45 mA |
| Input type | Bipolar (PNP/NPN) |
| Response time typical | < 10 ms |
| Mechanical data | |
| Cascadable | No |
| Design | Smooth barrel, TL50 |
| Dimensions | Ø 50 x 242.9 x 242.9 mm |

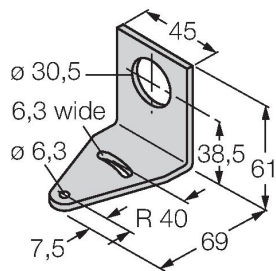
Technical data

| | |
|------------------------|------------------------|
| Housing material | Plastic, ABS, Black |
| Window material | Polycarbonate, diffuse |
| Electrical connection | Cable, 2 m, PVC |
| Number of cores | 8 |
| Ambient temperature | -40...+50 °C |
| Relative humidity | 0...95 % |
| Protection class | IP67 |
| Tests/approvals | |
| Approvals | CE, UL listed |

Accessories

SMB30A

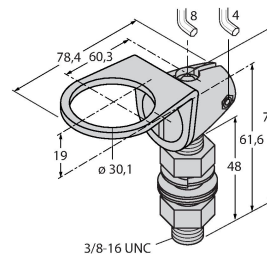
3032723



Mounting bracket, rectangular, stainless steel, for sensors with 30mm thread

SMB30FA

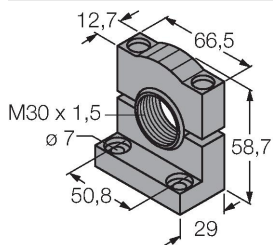
3074005



Montagewinkel; Werkstoff VA 1.4401

SMB30SC

3052521



Mounting bracket, PBT black, for sensors with 30 mm thread, rotatable