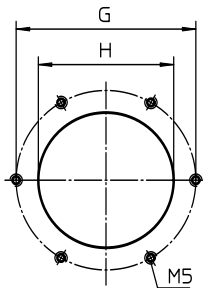
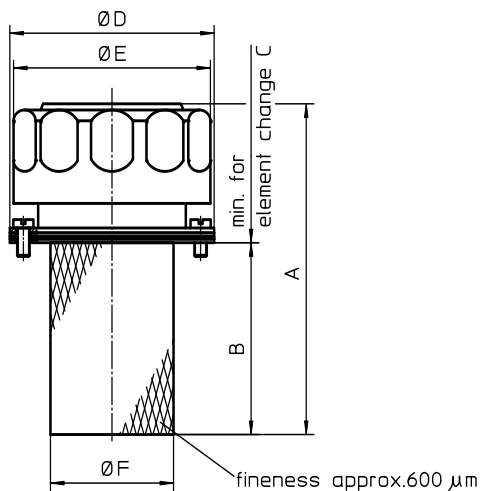


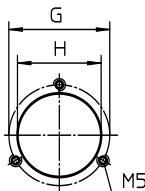
# BREATHER FILTER

## Series EBF 30 and 50, TBF 3/4, BF

Sheet No.  
**6002 F**



bore draft EBF 50



bore draft EBF 30

### 1. Type index:

#### 1.1. Complete filter: (ordering example)

**EBF. 50. 10P. V1**

1	2	3	4
---	---	---	---

#### 1 series:

EBF = breather filter

#### 2 nominal size: 30, 50

#### 3 filter-material and filter-fineness:

10 P = 10 µm paper

#### 4 internal valve:

- = without

V 1 = preload valve 0,35 bar ± 10 %, only for nominal size 50 available

### 2. Dimensions:

type	A	B	C	D	E	F	G	H	Q1	Q2	weight kg
EBF 30	111	63	80	52	46	29	41	34	200	300	0,1
EBF 50	134	78	100	83	80	50	73	55	600	1000	0,3

Q1 = air flow rate l/min, with Δp 0,01 bar  
Q2 = air flow rate l/min, with Δp 0,03 bar

### 1. Type index:

#### 1.1. Complete filter: (ordering example)

**TBF. 3/4 . 3P**

1	2	3
---	---	---

#### 1 series:

TBF = tank breather filter

#### 2 nominal size: connection G ¾

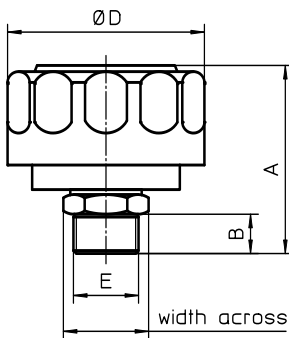
#### 3 filter-fineness:

3P = 3 µm paper

### 2. Dimensions:

type	A	B	D	E	width across	Q1	Q2	weight kg
TBF ¾	71	16	80	G ¾ A	30	300	600	0,3

Q1 = air flow rate l/min, with Δp 0,01 bar  
Q2 = air flow rate l/min, with Δp 0,03 bar



### 1. Type index:

#### 1.1. Complete filter: (ordering example)

**BF. G1**

1	2
---	---

#### 1 series:

BF = breather filter

#### 2 connection size: G ¼, G ½, G1

### 2. Dimensions:

type	DN	A	B	C	D	Q in l/min
BF G ¼	8	G ¼	30	10	30	70
BF G ½	15	G ½	30	8	31	100
BF G 1	25	G 1	37	10	42	400

Q = flow rate of air l/min, filter-fineness 40 µm