

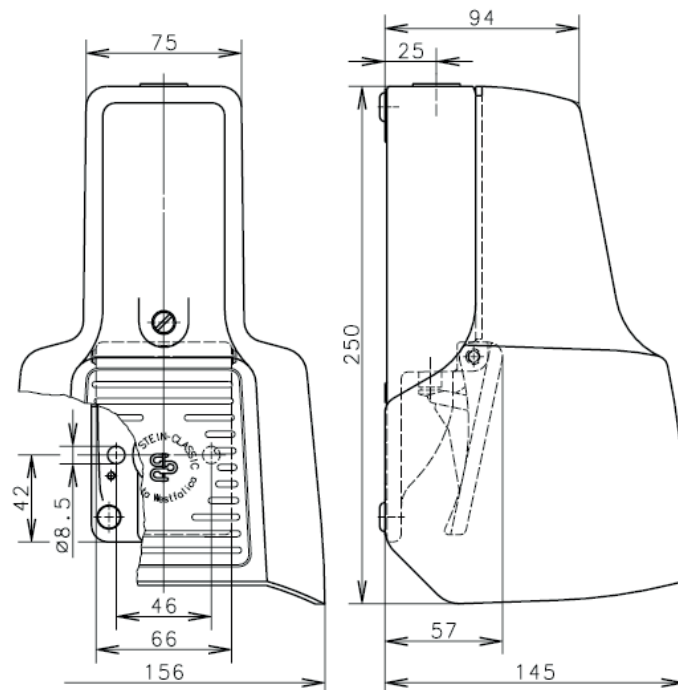
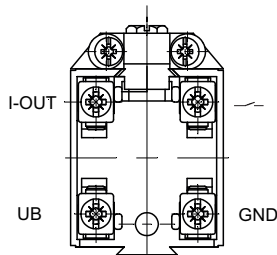
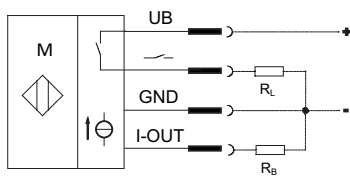
# Foot-switch

## Series F1 UN

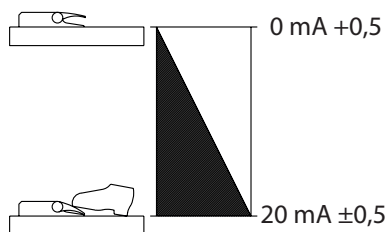
Description **F1-AI0-20MA UN**

Article number **6161000729**

### Wiring diagram



### Characteristic



On  
 Off

Electrical Data	
Rated operating voltage range	$U_B$ 12 - 26 V DC
Idle current	$I_o$ < 25 mA
Short-circuit protection type switching element	synchronising, permanently short-circuit and overload protected
Reverse polarity	yes
Readiness delay	$t_v$ < 50 ms
Protection class	III (safety extra-low voltage)
Analogue output	
Current output	0 – 20 mA
Linearity errors max.	$\pm 2,5$ % from the end value (20 mA), $U_B$ and temperature at a constant level
Temperature errors max.	$\pm 10$ % $U_B$ constant level
Repetition accuracy	R $\leq 2$ % from the end value (20 mA), $U_B$ and temperature at a constant level
max. load resistor	$R_B$ 400 $\Omega$
Switching output	
switching element function	S PNP NO (teachable)
Hysteresis	H $\approx 10$ %
Voltage drop	$U_d$ $\leq 1,6$ V
Utilization category	DC 12
Rated operational currents	$I_e$ 200 mA
Minimum operating current	$I_m$ 1 mA
Residual current	$I_r$ < 0,1 mA

Mechanical data	
Enclosure	AL, die-cast
Protective guard (Accident protection cover UN)	AL, die-cast
Actuator	Foot lever (PA)
Ambient air temperature	-30° C ... +80° C
Operating force	$\approx 10$ N (pedal centre)
Mechanical life	$10 \times 10^6$ operating cycles
Switching frequency	max. 50 / min
Assembly	2 x M8
Connection	screw terminals (M3,5)
Number of connections	4
Conductor cross-sections	Solid: 0,5 ... 1,5 mm <sup>2</sup> or Litz wire with ferrules: 0,5 ... 1,5 mm <sup>2</sup>
Cable entrance	1 x M20 x 1,5
Weight	$\approx 1,5$ kg
Protection type	IP65 acc. to IEC/EN 60529

Standards	
EN 60947-5-7	

EU Conformity <sup>1)</sup>	
acc. to directive 2014/30/EU (EMC-Directive)	

**Notes**

The degree of protection specified (IP code) applies only to a properly closed cover and the use of an equivalent cable gland with adequate cable.

<sup>1)</sup>To be conform with the EMV guideline (2014/30/EU) a shielded connection cable has to be used.