

INTRODUCTION



1624 South Eber Rd., Holland, Ohio 43528
PHONE: 419.866.0700 FAX: 419.866.0767

Designnetics® offers over 1,000 patented Flow Applicators to meet a wide range of specifications for applying primers, adhesives, and other materials to just about any surface - glass, metal, plastic, rubber and wood. Every Designnetics system is quality constructed for maximum chemical resistance, durability and longevity. They provide dispensing efficiency with the precision of a marking pen at a throw away price. Delivering sharp line demarcation and smooth consistent layout, Designnetics Applicators reduce masking and razor blade clean-up. The closed system provides greater environmental protection and chemical control, reducing drips and spillage. Flow Applicators provide uniformity and repeatability with little training of personnel. Each Applicator is engineered for flow and wear characteristics. If your material is reactive, the Designnetics Docking Station eliminates waste caused by circulating air and moisture.

Designnetics Applicators are organized into five categories: **Flat**, **Wraparound**, **Round**, **Brush** and **Channel Applications**. Detailed tip dimensions are shown by individual part number. Additional modification or tip designs not found in this catalog may be available. Please consult your Designnetics Representative.

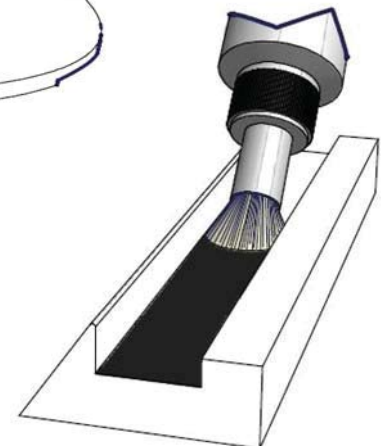
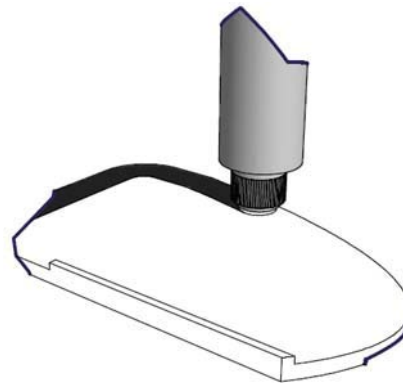
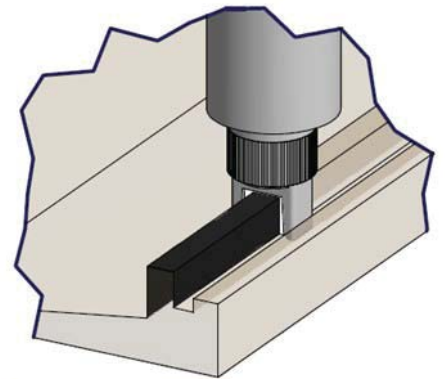
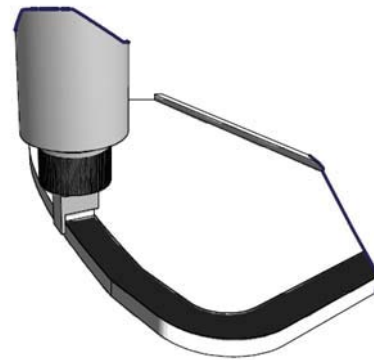


TABLE OF CONTENTS



1624 South Eber Rd., Holland, Ohio 43528
PHONE: 419.866.0700 FAX: 419.866.0767

Table of Contents.....	TOC
Introduction	INTRO
Index	INDEX-1
Accessories.....	A-1
Docking Stations	A-1
Adapters.....	A-3
Extensions.....	A-4
Miscellaneous.....	A-5
Restrictors	A-7
Brush Applicators.....	B-1
Channel Applicators.....	C-1
Dispensers	D-1
Bottles	D-1
Handheld.....	D-2
Automated.....	D-4
Flat Applicators	F-1
Guides.....	F-8
Guides with Dead Space.....	F-14
Mohair	F-21
Miscellaneous.....	F-23
Round Applicators.....	R-1
Wraparound Applicators.....	W-1

INDEX



1624 South Eber Rd., Holland, Ohio 43528
 PHONE: 419.866.0700 FAX: 419.866.0767

Product	Page	Product	Page	Product	Page	Product	Page	Product	Page
11A/B	W-2	13C/D	W-2	20G	A-7	23BV/BW	F-19	23HR/HS	C-1
11AA/AB	F-32	13E/F	W-2	20P	A-7	23BX/BY	F-8	23HT/HU	W-6
11AC/AD	F-32	13G/H	W-2	20Q	A-7	23C/D	C-3	23HV/HW	F-15
11AE	W-1	13I/J	W-16	21A	D-1	23CA/CB	C-1	23HX/HY	F-15
11AG/AH	W-1	14A	A-5	21AF	D-1	23CC/CD	F-9	23i/J	F-2
11Ai/AJ	F-32	14C	A-5	21B	D-1	23CE/CF	F-9	23JA/JB	C-10
11AK/AL	F-39	14E	A-5	21BF	D-1	23CG/CH	C-1	23JC/JD	F-9
11AM/AN	F-32	14F	A-5	21C	D-1	23CJ	F-1	23JE/JF	C-1
11AP/AQ	W-2	14G	A-3	21D	D-1	23CK/CL	F-2	23JG/JH	F-14
11AR/AS	W-2	14J	A-5	21E	D-1	23CM/CN	W-3	23JI/JJ	F-9
11AT/AU	W-2	15A	A-6	21F	D-1	23CP/CQ	F-14	23JK/JL	W-16
11AV/AW	C-6	16A/B	W-9	21H	D-1	23CR/CS	F-2	23JM/JN	F-35
11AX/AY	W-2	16AA/AB	W-10	21P	D-1	23CU	F-2	23JP/JQ	F-9
11BA/BB	W-1	16AC/AD	F-32	21Q	D-1	23CV/CW	F-2	23JR/JS	F-14
11BC/BD	W-1	16AE/AF	W-10	22A	A-1	23CX/CY	C-1	23JT/JU	F-2
11BE/BF	W-11	16AH	W-9	22B	A-1	23DA/DB	F-9	23K/L	F-9
11BG/BH	W-11	16Ai/AJ	W-10	22C	A-1	23DC/DD	F-14	23M/N	F-13
11BI/BJ	F-32	16AK/AL	W-9	22D	A-1	23DE/DF	F-26	23P/Q	C-2
11BK/BL	W-1	16AM/AN	W-10	22E	A-1	23DG/DH	F-9	23R/S	F-3
11BM/BN	W-1	16AP/AQ	W-10	22F	A-1	23Di/DJ	C-3	23T/U	F-3
11BP/BQ	W-1	16AR/AS	W-13	22H	A-2	23DK/DL	F-38	23V/W	W-3
11BR/BS	F-32	16AT/AU	W-9	22i	A-1	23DM/DN	C-1	23X/Y	C-1
11BT/11BU	W-1	16C/D	W-9	22J	A-1	23DP/DQ	F-9	24A/B	W-7
11BV/11BW	W-2	16E/F	W-7	22K	A-1	23DR/DS	W-15	24C/D	W-11
11BX/BY	F-32	16G/H	W-9	22L	A-1	23DT/DU	W-15	25A/B	A-3
11C/D	W-2	16i/J	W-9	22M	A-2	23DV/DW	W-15	25E	A-5
11CA/CB	W-2	16K/L	W-7	22N	A-1	23DX/DY	F-34	25F	A-5
11E/F	W-1	16M/N	W-9	23A/B	C-3	23DZ	C-3	25G/H	A-3
11G/H	W-1	16P/Q	W-10	23AA/AB	F-9	23E/F	C-1	26AA/AB	B-9
11i/J	W-1	16R/S	W-13	23AC/AD	W-3	23EA/EB	F-2	26AC/AD	B-9
11K/L	W-1	16T/U	W-7	23AE/AF	F-9	23EC/ED	F-37	26AE/AF	B-2
11M/N	W-2	16V/W	W-9	23AG/AH	C-1	23EE/EF	F-14	26Ai/AJ	R-1
11P/Q	W-1	16X/Y	W-9	23Ai/AJ	F-3	23EG/EH	C-1	26AK/AL	B-4
11R/S	F-32	17A/B	W-9	23AK/AL	W-3	23Ei/EJ	C-1	26AM/AN	B-2
11T/U	W-1	17C/D	W-7	23AM/AN	F-9	23EK/EL	F-15	26AP/AQ	B-1
11V/W	W-11	18A/B	W-9	23AP/AQ	F-14	23EM/EN	F-9	26AR/AS	B-1
11X/Y	F-32	19A/B	W-7	23AR/AS	F-9	23EP/EQ	F-9	26AT/AU	B-1
12A/B	W-8	19C/D	W-13	23AT/AU	F-3	23ER/ES	W-3	26AV/AW	B-1
12C/D	F-31	19E/F	W-13	23AV/AW	F-9	23ET/EU	F-20	26AX/AY	A-3
12E/F	W-8	19i/J	W-13	23AX/AY	C-1	23EV/EW	F-2	26BA/BB	B-2
12G/H	W-8	19K/L	W-13	23BA/BB	F-2	23EX/EY	F-2	26BC/BD	A-4
12i/J	W-8	19M/N	W-13	23BC/BD	F-9	23FA/FB	F-14	26BE/BF	R-4
12K/L	W-8	2000	D-2	23BE/BF	F-2	23FC/FD	W-15	26BG/BH	R-3
12M/N	W-8	2002	A-4	23BG/BH	F-2	23FE/FF	C-3	26Bi/BJ	R-1
12P/Q	W-8	2003	A-4	23Bi/BJ	C-1	23FG/FH	F-1	26BK/BL	R-1
12R/S	W-8	20A	A-7	23BK/BL	F-9	23FI/FJ	F-2	26BM/BN	R-1
12T/U	F-31	20B	A-7	23BM/BN	W-3	23FK/FL	F-2	26BP/BQ	R-4
12V/W	F-31	20C	A-7	23BP/BQ	W-3	23FR/FS	F-2	26BR/BS	B-2
12X/Y	F-31	20D	A-7	23BR/BS	F-14	23G/H	C-1	26BT/BU	B-4
13A/B	W-2	20E	A-7	23BT/BU	F-2	23HP/HQ	F-15	26BV/BW	R-1

INDEX



1624 South Eber Rd., Holland, Ohio 43528
 PHONE: 419.866.0700 FAX: 419.866.0767

Product	Page	Product	Page	Product	Page	Product	Page	Product	Page
26BX/BY	R-1	26G/H	B-5	27BV/BW	F-26	27G/H	W-5	32CA/CB	F-10
26BZ	R-1	26GA/GB	R-7	27BX/BY	F-17	27i/J	F-11	32CC/CD	F-10
26C/D	A-4	26GE/GF	R-7	27BZ	F-17	27K/L	F-5	32CE/CF	F-15
26CA/CB	R-1	26GG/GH	R-7	27C/D	F-5	27M/N	F-11	32CG/CH	F-11
26CC/CD	R-3	26Gi/GJ	R-3	27CA/CB	F-17	27P/Q	F-17	32Ci/CJ	F-19
26CG/CH	B-1	26GK/GL	F-31	27CC/CD	F-17	27R/S	F-5	32CK/CL	F-4
26Ci/CJ	R-1	26GM/GN	R-1	27CE/CF	W-5	27T/U	F-16	32CM/CN	F-22
26CK/CL	R-1	26GP/GQ	R-1	27CG/CH	F-14	27V/W	F-11	32CP/CQ	F-16
26CM/CN	R-1	26GR/GS	B-2	27Ci/CJ	W-5	27X/Y	F-19	32CR/CS	C-9
26CP/CQ	R-1	26GT/GU	R-5	27CK/CL	F-17	28A/B	W-7	32CT/CU	F-16
26CR/CS	R-4	26GV/GW	R-1	27CM/CN	F-27	28C/D	F-33	32CV/CW	F-16
26CT/CU	R-3	26GX/GY	A-4	27CP/CQ	W-5	28E/F	F-33	32CX/CY	F-19
26CV/CW	B-1	26HA/HB	R-1	27CR/CS	F-11	28G/H	F-33	32DA/DB	F-19
26CX/CY	B-5	26HC/HD	R-1	27CT/CU	F-18	28i/J	W-7	32DC/DD	F-16
26DA/DB	B-1	26HE/HF	R-4	27CV/CW	F-5	28K/L	C-4	32DE/DF	F-10
26DC/DD	B-4	26HG/HH	R-1	27CX/CY	F-20	28M/N	F-33	32DG/DH	F-4
26DE/DF	B-6	26HI/HJ	R-4	27DA/DB	C-5	30A/B	W-7	32Di/DJ	F-16
26DG/DH	R-1	26HK/HL	R-1	27DC/DD	F-17	31A/B	W-14	32DK/DL	F-4
26Di/DJ	B-1	26HM/HN	R-1	27DE/DF	F-5	31C/D	W-13	32DM/DN	C-5
26DK/DL	R-3	26HP/HQ	B-2	27DG/DH	F-21	31E/F	W-13	32DP/DQ	W-4
26DM/DN	B-1	26HR/HS	R-1	27Di/DJ	F-5	31G/H	W-14	32DR/DS	W-6
26DP/DQ	B-2	26i/J	B-2	27DK/DL	F-17	31I/J	W-13	32DT/DU	W-4
26DR/DS	R-1	26K/L	B-4	27DM/DN	F-34	31K/L	W-13	32DV/DW	F-36
26DT/DU	B-6	26M/N	B-2	27DP/DQ	F-27	31M/N	W-13	32DX/DY	F-4
26DV/DW	C-8	26P/Q	R-3	27DR/DS	F-18	32A/B	F-11	32E/F	F-13
26DX/DY	B-8	26R/S	B-9	27DT/DU	F-14	32AA/AB	F-10	32EA/EB	F-10
26E/F	A-4	26V/W	R-2	27DV/DW	F-5	32AC/AD	F-4	32EC/ED	F-4
26EA/EB	R-1	26X/Y	B-9	27DX/DY	F-7	32AE/AF	F-4	32EE/EF	F-4
26EC	R-4	27A/B	F-11	27E/F	F-13	32AG/AH	F-19	32EG/EH	F-20
26ED	A-4	27AA/AB	F-19	27EA/EB	W-6	32Ai/AJ	F-15	32Ei/EJ	C-5
26EG/EH	R-1	27AC/AD	F-16	27EC/ED	F-26	32AK/AL	F-19	32EK/EL	F-27
26Ei/EJ	R-1	27AE	F-11	27EE/EF	F-38	32AM/AN	W-4	32EM/EN	F-4
26EK/EL	A-3	27AG/AH	F-5	27EG/EH	F-26	32AP/AQ	F-11	32EP/EQ	F-16
26EM/EN	R-1	27Ai/AJ	W-6	27Ei/EJ	F-17	32AR/AS	F-4	32ER/ES	F-16
26EP/EQ	R-7	27AK/AL	F-17	27EK/EL	F-17	32AT/AU	F-20	32ET/EU	F-4
26ER/ES	R-7	27AM/AN	F-25	27EM/EN	F-5	32AV/AW	F-10	32EV/EW	F-16
26ET/EU	R-7	27AP/AQ	F-11	27EP/EQ	F-21	32AX/AY	F-36	32EX/EY	F-26
26EV/EW	R-1	27AR/AS	F-17	27ER/ES	F-17	32BA/BB	F-15	32FA/FB	F-7
26EX/EY	R-1	27AT/AU	W-5	27ET/EU	F-17	32BC/BD	F-10	32FC/FD	F-4
26FA/FB	R-1	27AV/AW	F-11	27EV/EW	F-11	32BE/BF	F-15	32FE/FF	F-4
26FC/FD	B-6	27AX/AY	F-18	27EX/EY	F-35	32BH	F-4	32FG/FH	F-26
26FE/FF	R-1	27BA/BB	F-14	27FA/FB	F-17	32Bi/BJ	F-11	32FI/FJ	W-12
26FG/FH	R-1	27BC/BD	F-11	27FC/FD	F-16	32BK/BL	C-3	32FK/FL	F-4
26FI/FJ	C-8	27BE/BF	F-22	27FE/FF	F-11	32BM/BN	F-19	32FM/FN	F-4
26FK/FL	C-8	27BH	F-7	27FG/FH	F-25	32BP/BQ	F-16	32FP/FQ	F-4
26FM/FN	C-8	27Bi/BJ	F-5	27FI/FJ	F-17	32BR/BS	F-7	32FR/FS	F-4
26FP/FQ	R-1	27BM/BN	F-18	27FK/FL	F-17	32BT/BU	F-26	32FT/FU	C-9
26FR/FS	R-1	27BP/BQ	F-5	27FM/FN	F-5	32BV/BW	F-27	32FV/FW	W-6
26FT/FU	C-8	27BR/BS	F-5	27FP/FQ	F-17	32BX/BY	F-10	32FX/FY	W-6
26FX/FY	R-1	27BT/BU	F-16	27FR/FS	F-19	32C/D	F-4	32G/H	W-4

INDEX



1624 South Eber Rd., Holland, Ohio 43528
 PHONE: 419.866.0700 FAX: 419.866.0767

Product	Page	Product	Page	Product	Page	Product	Page	Product	Page
32GA/GB	F-4	38BK/BL	W-5	43G/H	C-2	44DP/DQ	F-31	46CC/CD	F-14
32GC/GD	F-10	38BM/BN	F-7	43i/J	C-3	44DR/DS	W-6	46CE/CF	F-14
32GE/GF	F-10	38BP/BQ	C-3	43K/L	C-3	44DT/DU	F-10	46CG/CH	C-7
32GG/GH	F-10	38BR/BS	F-7	43M/N	C-3	44DV/DW	F-4	46Ci/CJ	C-7
32GI/GJ	F-4	38BT/BU	F-18	43P/Q	C-3	44DX/DY	F-36	46CK/CL	C-7
32GK/GL	F-4	38C/D	F-7	43R/S	C-4	44EA/EB	C-5	46CM/CN	C-6
32GM/GN	F-4	38E/F	F-13	43T/U	C-3	44EC/ED	F-3	46CP/CQ	F-21
32GP/GQ	F-4	38G/H	W-5	43V/W	C-3	44EE/EF	F-4	46CR/CS	W-3
32i/J	F-36	38i/J	F-12	43X/Y	C-3	44EG/EH	W-16	46CT/CU	F-1
32K/L	W-4	38K/L	F-11	44A/B	F-10	44EI/EJ	F-25	46CV/CW	W-3
32M/N	F-4	38M/N	W-5	44AA/AB	F-10	44EK/EL	F-15	46CX/CY	F-8
32P/Q	W-4	38P/Q	F-7	44AC/AD	W-3	44EM/EN	C-5	46CZ	F-8
32R/S	F-36	38R/S	F-17	44AE/AF	F-37	44EP/EQ	C-4	46DA/DB	F-14
32T/U	F-4	38T/U	F-12	44Ai	F-37	44ER/ES	F-37	46DC/DD	F-8
32V/W	F-11	38V/W	F-12	44AK/AL	F-37	44ET/EU	F-18	46DE/DF	F-38
32X/Y	F-10	38X/Y	F-17	44AM/AN	F-36	44G/H	F-3	46DG/DH	F-8
33A/B	F-18	38Z	F-18	44AP/AQ	W-12	44i/J	F-37	46DI/DJ	F-1
33C/D	F-24	39A/B	W-8	44AR/AS	F-31	44K/L	F-10	46DK/DL	F-1
33E/F	F-18	39C/D	W-7	44AT/AU	W-12	44M/N	F-3	46DM/DN	F-1
33G/H	F-26	39E/F	W-7	44AV/AW	F-15	44R/S	F-15	46DP/DQ	F-34
34A/B	F-18	40C/D	R-2	44AX/AY	F-3	44T/U	F-15	46DR/DS	F-8
34C/D	F-23	40E/F	R-2	44BA/BB	C-4	44V/W	F-37	46DT/DU	F-14
34E/F	F-18	40G/H	R-2	44BC/BD	C-7	44X/Y	F-3	46EG/EH	C-6
35A/B	A-4	40i/J	R-2	44BE/BF	F-3	44Z	F-3	46G/H	W-3
35C/D	A-4	40K/L	R-2	44BG/BH	F-3	46A/B	F-8	46i/J	F-8
36A/B	W-8	40M/N	R-2	44Bi/BJ	W-14	46AC/AD	F-1	46K/L	F-8
37A/B	C-2	40P/Q	R-2	44BK/BL	F-21	46AE/AF	W-12	46M/N	F-8
37C/D	C-5	40R/S	R-2	44BM/BN	F-21	46AG/AH	F-14	46P/Q	F-1
37E/F	C-6	40T/U	R-2	44BP/BQ	F-36	46Ai/AJ	F-8	46T/U	W-3
37G/H	C-9	40V/W	R-3	44BR/BS	F-3	46AK	F-8	46V/W	W-3
37i/J	C-9	40X/Y	R-2	44BT/BU	F-36	46AM/AN	F-1	46X/Y	F-1
37K/L	C-9	42A/B	F-29	44BV/BW	F-33	46AP/AQ	F-8	47A/B	F-10
38A/B	F-12	42AA/AB	F-28	44BX/BY	F-36	46AR/AS	F-8	47AA/AB	W-4
38AA/AB	F-12	42AC/AD	F-29	44C/D	F-3	46AT/AU	F-1	47AC/AD	F-3
38AC/AD	F-16	42AE/AF	F-39	44CC/CD	C-7	46AV/AW	F-1	47AE/AF	F-3
38AE/AF	F-16	42C/D	F-29	44CE/CF	F-15	46AX/AY	F-8	47AG/AH	F-3
38AG/AH	W-6	42E/F	F-28	44CG/CH	W-14	46BA/BB	F-14	47Ai/AJ	F-9
38Ai/AJ	F-18	42G/H	F-28	44Ci/CJ	F-36	46BC/BD	F-1	47AK/AL	W-4
38AK/AL	F-27	42i/J	F-29	44CK/CL	F-35	46BE/BF	F-8	47AM/AN	F-15
38AM/AN	F-18	42K/L	F-29	44CM/CN	F-37	46BG/BH	F-39	47AP/AQ	F-15
38AP/AQ	F-27	42M/N	F-39	44CP/CQ	F-37	46Bi/BJ	F-14	47AR/AS	F-26
38AR/AS	F-7	42P/Q	F-28	44CR/CS	F-15	46BK/BL	W-14	47AT/AU	W-3
38AT/AU	F-7	42R/S	F-39	44CT/CU	C-4	46BM/BN	F-8	47AV/AW	F-15
38AV/AW	F-12	42T/U	F-30	44CV/CW	F-4	46BP/BQ	F-1	47BA/BB	F-10
38AX/AY	F-11	42V/W	F-30	44CX/CY	F-37	46BR/BS	F-1	47BC/BD	F-15
38BA/BB	F-18	42X/Y	F-29	44DA/DB	W-14	46BT/BU	F-14	47BE/BF	F-10
38BC/BD	W-2	43A/B	C-2	44DE/DF	F-37	46BV/BW	F-8	47BG/BH	F-10
38BE/BF	F-11	43AA/AB	C-4	44Di/DJ	W-14	46BX/BY	F-1	47Bi/BJ	F-3
38BG/BH	F-18	43C/D	C-1	44DK/DL	F-15	46C/D	F-1	47BK/BL	F-14
38Bi/BJ	F-18	43E/F	C-4	44DM/DN	C-5	46CA/CB	F-1	47BM/BN	F-3

INDEX



1624 South Eber Rd., Holland, Ohio 43528
 PHONE: 419.866.0700 FAX: 419.866.0767

Product	Page	Product	Page	Product	Page	Product	Page	Product	Page
47BP/BQ	W-4	5050	D-4	53Z	F-6	60C/D	B-4	69C/D	F-25
47BR/BS	F-15	50A/B	W-9	54A/B	W-8	60E/F	B-3	69E/F	F-24
47BT/BU	F-10	50C/D	W-9	54C/D	W-8	60G/H	B-4	69G/H	F-25
47BV/BW	F-10	50E/F	W-10	54E/F	W-8	60i/J	B-3	69i/J	F-30
47BX/BY	F-3	51A/B	R2	54G/H	F-31	60K/L	B-3	69K/L	F-30
47C/D	F-3	51AA/AB	R-4	54i/J	W-8	60M/N	B-3	70A	A-5
47CA/CB	F-14	51AC/AD	R-2	54K/L	W-8	60P/Q	B-7	70B	A-5
47CC/CD	F-14	51AE/AF	R-6	55A/B	W-2	60R/S	B-7	70C-H	A-6
47CE/CF	F-14	51AG/AH	R-7	56A/B	F-13	60T/U	B-3	71A/B	W-8
47CG/CH	F-3	51Ai/AJ	R-6	56C/D	F-7	60V/W	B-5	72C/D	R-3
47DC/DD	F-3	51AK/AL	R-2	56G/H	W-5	60X/Y	B-8	72E/F	R-3
47DE/DF	F-3	51AM/AN	R-4	56i/J	F-7	61A/B	F-35	73A/B	R-3
47E/F	F-13	51AP/AQ	R-2	56K/L	F-7	62A/B	F-37	73C/D	R-6
47G/H	W-3	51AR/AS	R-2	56M/N	F-7	62C/D	F-22	73E/F	R-3
47i/J	F-10	51AT/AU	R-4	56P/Q	F-17	62E/F	F-27	74A	B-10
47K/L	W-3	51AV/AW	R-4	56R/S	F-26	62G/H	F-37	74AA	B-10
47M/N	F-14	51AX/AY	R-5	56T/U	F-17	64A/B	W-7	74B	B-6
47P/Q	F-9	51BA/BB	R-2	57A/B	F-13	64C/D	W-7	74C	B-6
47R/S	F-3	51BE/BF	R-2	57C/D	F-6	65A	R-4	74D	B-7
47T/U	W-4	51BG/BH	R-2	57G/H	W-5	65B	R-4	74E	B-6
47V/W	F-16	51BI/BJ	R-3	57i/J	F-13	65E/F	F-33	75A/B	R-3
47X/Y	F-15	51BK/BL	R-3	58A/B	F-13	65G/H	F-33	75E/F	R-3
48A/B	W-8	51BM/BN	R-3	58AA/AB	F-13	66A/B	R-2	77A/B	R-5
48C/D	W-8	51BP/BQ	R-3	58AC/AD	F-6	66AA/AB	R-5	77C/D	R-5
49A/B	F-12	51BR/BS	R-4	58AE/AF	F-6	66AC/AD	R-4	77E/F	R-5
49AA/AB	F-12	51C/D	R-2	58AG/AH	F-13	66AE/AF	R-2	78A/B	R-3
49AC/AD	F-27	51E/F	R-2	58AI/AJ	F-6	66AG/AH	R-4	78C/D	R-3
49AE/AF	F-6	51G/H	R-2	58AK/AL	F-18	66AI/AJ	R-2	78E/F	R-3
49AG/AH	F-6	51i/J	R-3	58AM/AN	F-18	66AK/AL	R-2	79A/B	R-4
49Ai/AJ	F-35	51K/L	R-2	58AP/AQ	F-18	66AM/AN	R-2	79C/D	R-4
49AK/AL	F-22	51M/N	R-4	58C/D	F-6	66AP/AQ	R-8	79E/F	R-4
49AM/AN	F-34	51P/Q	R-5	58G/H	W-5	66AR/AS	R-2	79G/H	R-2
49AP/AQ	F-6	51R/S	R-4	58GF	W-5	66AT/AU	R-8	79I/J	R-4
49AR/AS	F-6	51T/U	R-5	58i/J	F-12	66AV/AW	R-4	79K/L	R-8
49AT/AU	F-12	51V/W	R-4	58K/L	F-13	66AX/AY	R-2	80A/B	W-9
49AV/AW	F-6	51X/Y	R-5	58M/N	F-6	66BA/BB	R-2	80C/D	W-10
49AX/AY	W-16	52A/B	F-36	58P/Q	F-6	66C/D	R-2	80G/H	R-6
49BA/BB	F-6	52E/F	F-36	58R/S	F-13	66E/F	R-2	80i/J	F-32
49C/D	F-6	53A/B	F-13	58T/U	W-5	66G/H	R-2	80K/L	W-7
49E/F	F-13	53C/D	F-6	58V/W	F-6	66i/J	R-5	80M/N	W-10
49G/H	W-5	53E/F	F-13	58X/Y	F-18	66K/L	R-5	80P/Q	W-10
49i/J	W-5	53G/H	W-5	59A/B	W-7	66M/N	R-4	81C/D	R-6
49K/L	F-12	53i/J	F-13	60A/B	B-7	66P/Q	R-5	81E/F	C-8
49M/N	F-12	53K/L	F-23	60AA/AB	B-7	66R	R-2	81G/H	R-6
49P/Q	F-6	53M/N	F-6	60AC/AD	B-6	66T/U	R-2	82A/B	F-7
49R/S	F-23	53P/Q	W-5	60AE/AF	B-3	66V/W	R-4	83A/B	F-24
49T/U	F-22	53R/S	W-5	60AG/AH	B-8	66X/Y	R-5	83C/D	F-24
49V/W	F-25	53T/U	F-6	60AI/AJ	B-8	67A/B	F-33	84A/B	F-40
49X/Y	W-5	53V/W	F-6	60AM/AN	B-3	68A/B	F-38	86A/B	R-7
5000	D-3	53X/Y	F-13	60AP/AQ	B-4	69A/B	F-25	86C/D	R-8

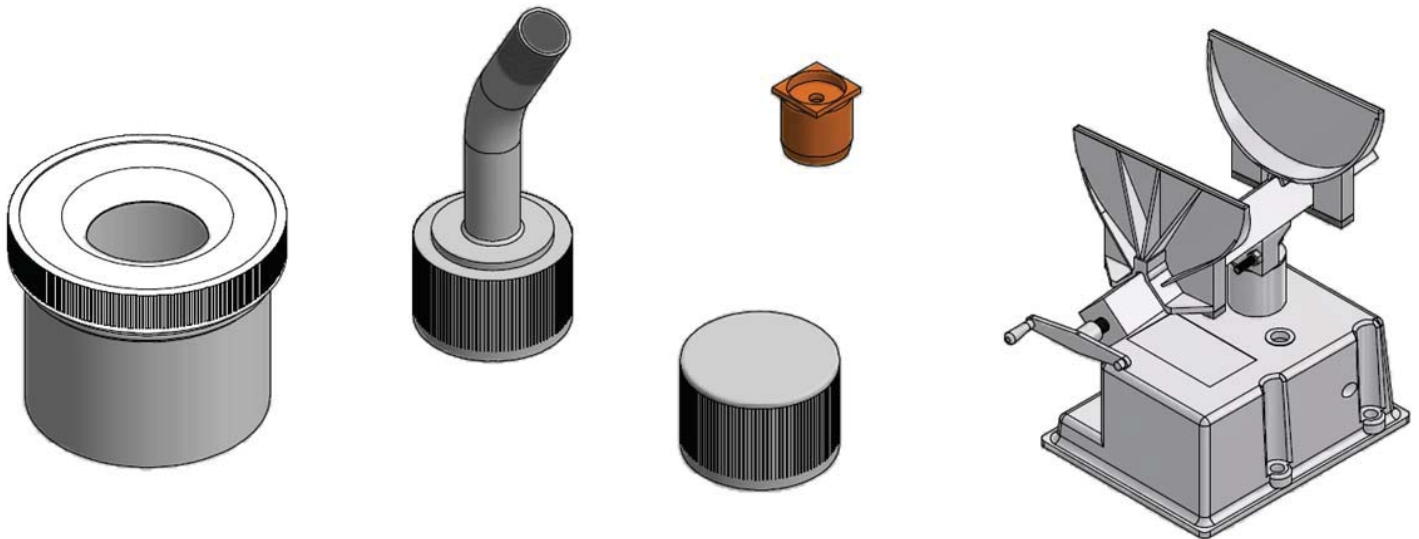
INDEX



1624 South Eber Rd., Holland, Ohio 43528

PHONE: 419.866.0700 FAX: 419.866.0767

Product	Page	Product	Page	Product	Page	Product	Page	Product	Page
87A/B	C-10								



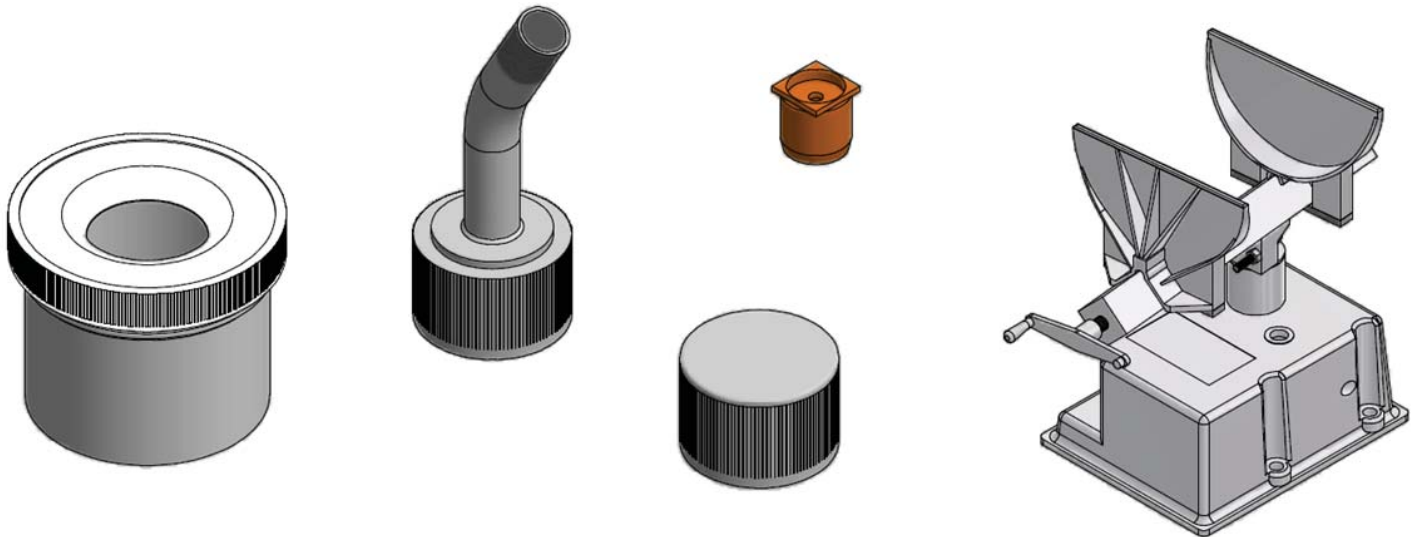
Docking Station- This unique device secures the applicator bottle in an inverted position to keep the tip moist and protected from circulated air. For moisture cure chemical systems the Designetics Docking Station is a must to ensure an extended tip life.

Extensions- To meet special application needs, various extensions are available.

Caps- Closing your bottles or covering your brushes when not in use prolong product life.

Flow Restrictor- Used with low viscosity materials where flow needs to be restricted.

Shaker- Air Actuated shaker aggressively shakes liquids to assure a quality flow and to meet chemical manufactures specifications.



Docking Station- This unique device secures the applicator bottle in an inverted position to keep the tip moist and protected from circulated air. For moisture cure chemical systems the Designetics Docking Station is a must to ensure an extended tip life.

Extensions- To meet special application needs, various extensions are available.

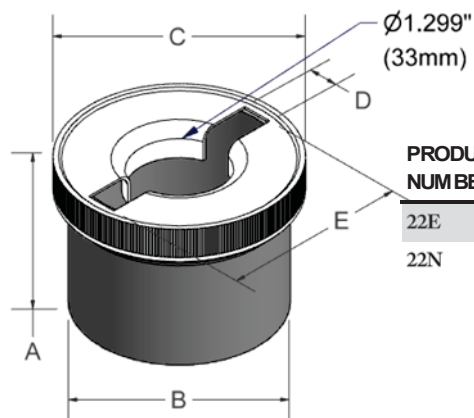
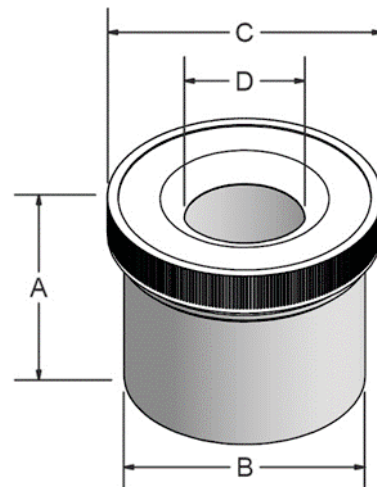
Caps- Closing your bottles or covering your brushes when not in use prolong product life.

Flow Restrictor- Used with low viscosity materials where flow needs to be restricted.

Shaker- Air Actuated shaker aggressively shakes liquids to assure a quality flow and to meet chemical manufactures specifications.

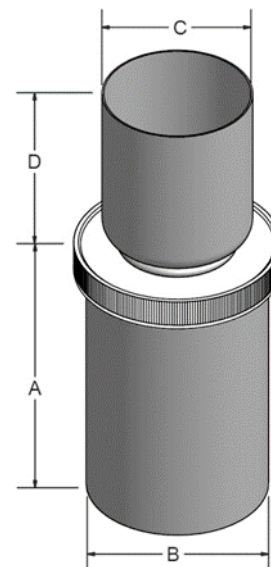
PRODUCT NUMBER	DIMENSION (A)	DIMENSION (B)	DIMENSION (C)	DIMENSION (D)	Jar Size
22A	2.283" (58.0mm)	2.622" (66.6mm)	2.750" (69.9mm)	1.299" (33.0mm)	4oz.
22L*	2.283" (58.0mm)	2.622" (66.6mm)	2.750" (69.9mm)	1.000" (25.4mm)	4oz.
22i	5.110" (129.8mm)	3.333" (84.7mm)	3.527" (89.6mm)	1.575" (40.0mm)	20oz.
22B	5.110" (129.8mm)	3.333" (84.7mm)	3.527" (89.6mm)	1.693" (43.0mm)	20oz.
22C	2.480" (63.0mm)	3.267" (83.0mm)	3.527" (89.6mm)	1.575" (40.0mm)	8oz.
22D	3.350" (85.1mm)	2.622" (66.6mm)	2.750" (69.9mm)	1.299" (33.0mm)	8oz.
22J	2.480" (63.0mm)	3.267" (83.0mm)	3.527" (89.6mm)	1.693" (43.0mm)	8oz.

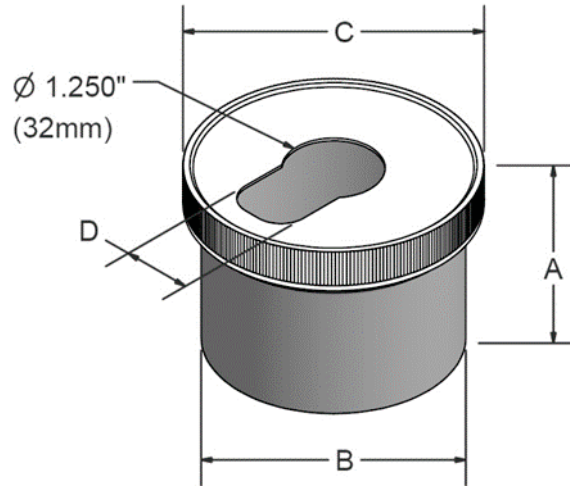
*Unformed Hole



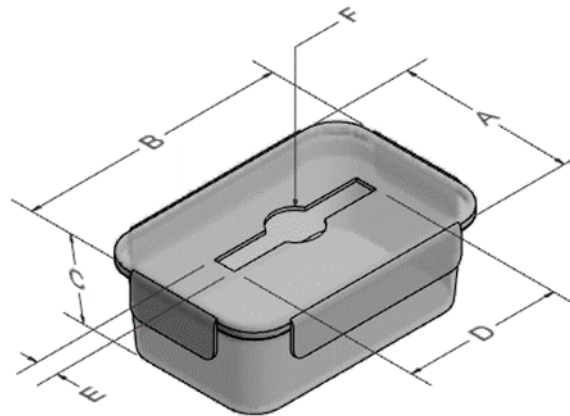
PRODUCT NUMBER	DIMENSION (A)	DIMENSION (B)	DIMENSION (C)	DIMENSION (D)	DIMENSION (E)	Jar Size
22E	2.480" (63.0mm)	3.267" (83.0mm)	3.527" (89.6mm)	0.500" (12.7mm)	3.000" (76.2mm)	8oz.
22N	5.110" (129.8mm)	3.333" (84.7mm)	3.527" (89.6mm)	0.500" (12.7mm)	3.000" (76.2mm)	20oz.

PRODUCT NUMBER	DIMENSION (A)	DIMENSION (B)	DIMENSION (C)	DIMENSION (D)	Jar Size
22F	5.110" (129.8mm)	3.333" (84.7mm)	2.625" (66.7mm)	3.188" (81.0mm)	20oz.
22K	2.480" (63.0mm)	3.267" (83.0mm)	2.625" (66.7mm)	3.188" (81.0mm)	8oz.

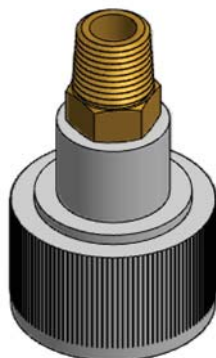




PRODUCT NUMBER	DIMENSION (A)	DIMENSION (B)	DIMENSION (C)	DIMENSION (D)	Jar Size
22H	2.480" (63.0mm)	3.267" (83.0mm)	3.527" (89.6mm)	0.985" (25.0mm)	8oz.



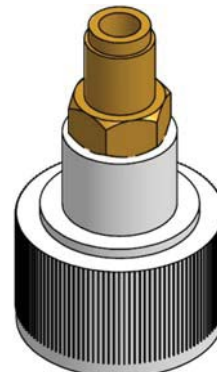
PRODUCT NUMBER	DIMENSION (A)	DIMENSION (B)	DIMENSION (C)	DIMENSION (D)	DIMENSION (E)	DIMENSION (F)	Jar Size
22M	4.250" (108.0mm)	6.250" (158.8mm)	2.250" (57.2mm)	3.532" (89.7mm)	0.500" (12.7mm)	0.551" (14.0mm)	16oz.



26EK

26EL with 20A Restrictor

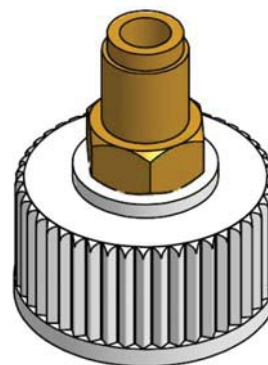
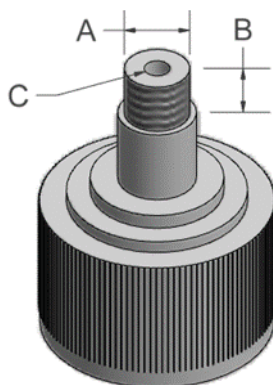
ADAPTER FOR BOTTLES
 THREADED 1/8" NPT



26AX

26AY with 20A Restrictor

ADAPTER FOR BOTTLES
 COMPATIBLE WITH MOST DESIGNETICS
 APPLICATORS*



14G

ADAPTER FOR 3M BOTTLES ONLY
 COMPATIBLE WITH MOST DESIGNETICS
 APPLICATORS*

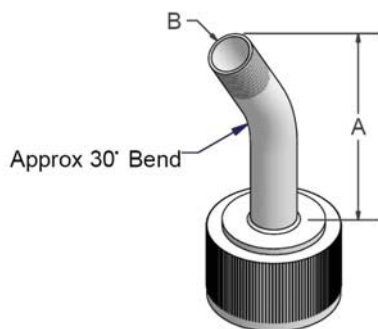
PRODUCT NUMBER	DIMENSION (A)	DIMENSION (B)	DIMENSION (C)	RESTRICTOR
25 A	0.313" (8.0mm)	0.250" (6.4mm)	0.250" (6.4mm)	-
25 B	0.313" (8.0mm)	0.250" (6.4mm)	0.250" (6.4mm)	20A
25 G	0.313" (8.0mm)	0.250" (6.4mm)	0.160" (4.1mm)	-
25 H	0.313" (8.0mm)	0.250" (6.4mm)	0.160" (4.1mm)	20A

Ends are threaded 8mm x 125

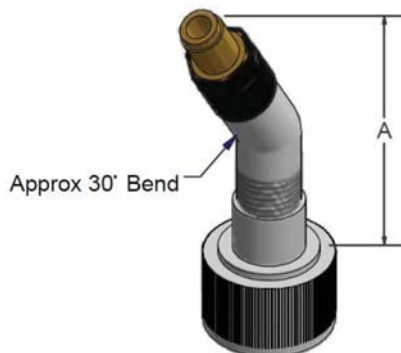
EXTENSIONS



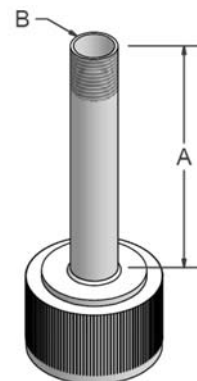
1624 South Eber Rd., Holland, Ohio 43528
 PHONE: 419.866.0700 FAX: 419.866.0767



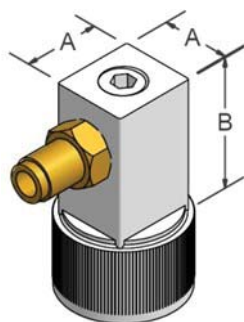
PRODUCT NUMBER	DIM (A)	THREAD (B)	RESTRICTOR
26E	2.165" (55.0mm)	3/8" x 24 N.F.	-
26F	2.165" (55.0mm)	3/8" x 24 N.F.	20A



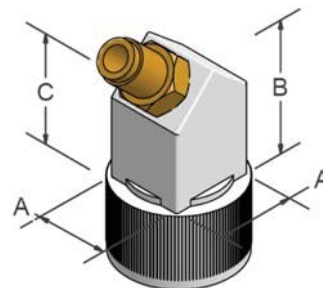
PRODUCT NUMBER	DIM (A)	RESTRICTOR
26GX	2.598" (66.0mm)	-
26GY	2.598" (66.0mm)	20A



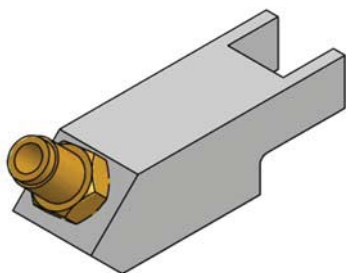
PRODUCT NUMBER	DIM (A)	THREAD (B)	RESTRICTOR
26C	2.165" (55.0mm)	3/8" x 24 N.F.	-
26D	2.165" (55.0mm)	3/8" x 24 N.F.	20A
26BC	7.625" (193.7mm)	3/8" x 24 N.F.	-
26BD	7.625" (193.7mm)	3/8" x 24 N.F.	20A
26ED	2.165" (55.0mm)	-	-



PRODUCT NUMBER	DIMENSION (A)	DIMENSION (B)	RESTRICTOR
35A	0.750" (19.1mm)	1.250" (31.8mm)	-
35B	0.750" (19.1mm)	1.250" (31.8mm)	20A



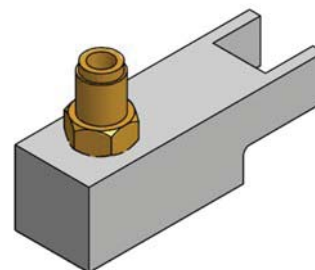
PRODUCT NUMBER	DIMENSION (A)	DIMENSION (B)	DIMENSION (C)	RESTRICTOR
35C	0.750" (19.1mm)	1.250" (31.8mm)	1.000" (25.4mm)	-
35D	0.750" (19.1mm)	1.250" (31.8mm)	1.000" (25.4mm)	20A



2002

45° Non-Swivel Extension

Use with Hand-held Flow Dispenser 2000
 Compatible with most Designetics Applicators*



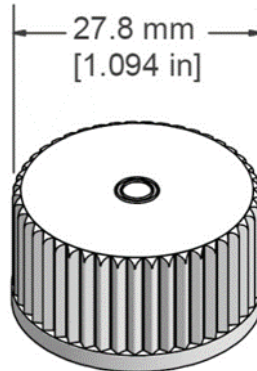
2003

90° Non-Swivel Extension

Use with Hand-held Flow Dispenser 2000
 Compatible with most Designetics Applicators*



14A
 Cap
 Fits all Designetics Bottles



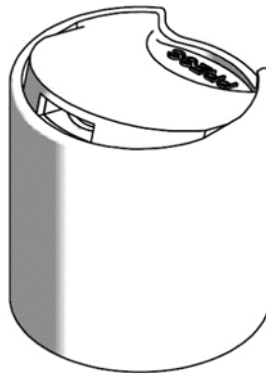
14E
 Cap - Unlined
 Fits 3M Bottles



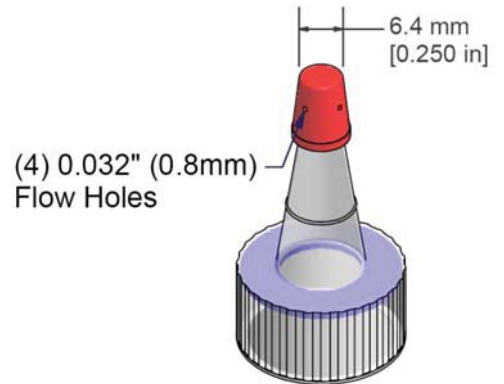
14C
 Tip Cover for 3/4" & smaller
 Applicators and Brushes



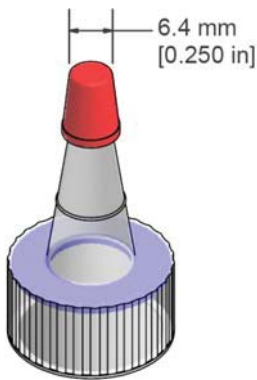
14F
 Funnel for Bottles
 Fits all Designetics Bottles



14J
 Push Top Cap
 Fits all Designetics Bottles



25E
 Spout Cap with Gasket
 Fits all Designetics Bottles



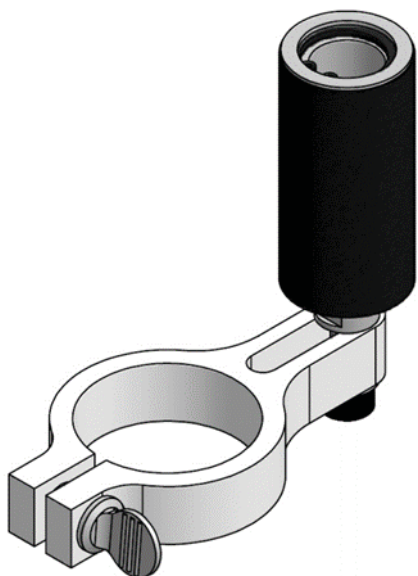
25F
 Spout Cap with Gasket
 Fits all Designetics Bottles



70A
 Snap on brush guide
 Contact your Designetics
 Sales Representative to see
 which brushes are compatible



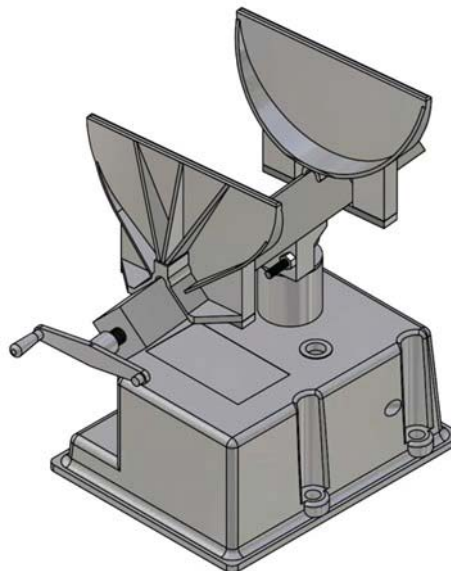
70B
 Use with any size Applicator



70 Series

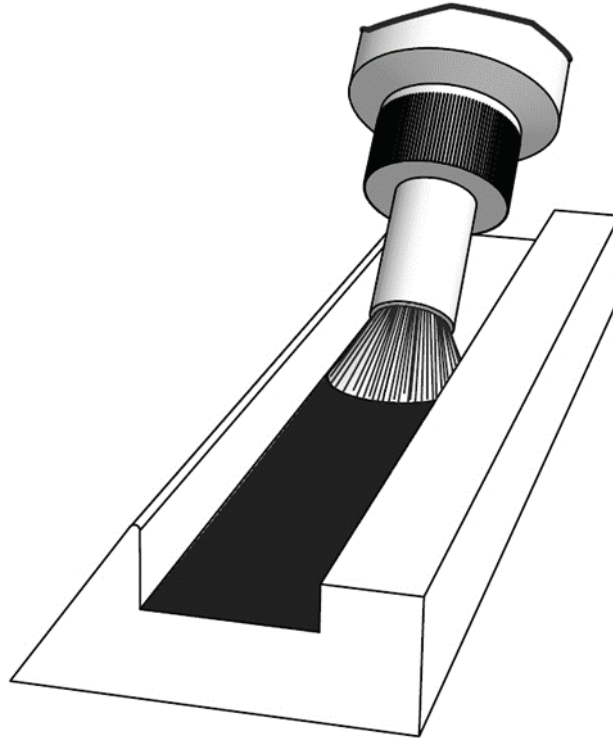
Adjustable Guide

Variable sizes available. Contact your Designetics Sales Representative for details



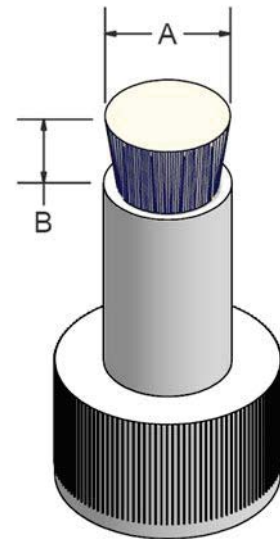
15A

Air Actuated Shaker

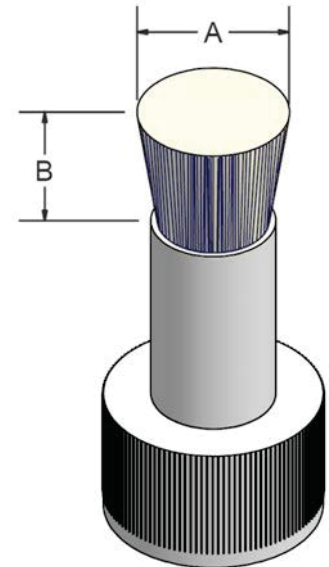


The Designetics Brush Applicators are designed to dispense material onto irregular or hard-to-get-to surfaces where rigid tips will not fit. Brush Applicators are also an alternative solution for coating surfaces like metal and wood. Brush Applicators can be cut and shaped to fit into virtually any tight quarters. Brushes are available in high quality goathair, horsehair, and synthetic materials. Your Designetics rep. can recommend the best type of brush to meet your needs.

PRODUCT NUMBER	DIMENSION (A)	DIMENSION (B)	ORIFICE SIZE	BRUSH HAIR TYPE	RESTRICTOR
26DM	0.433" - 0.512" (11.0-13.0mm)	0.394" - 0.472" (10.0-12.0mm)	0.063" (1.6mm)	GOAT	-
26DN	0.433" - 0.512" (11.0-13.0mm)	0.394" - 0.472" (10.0-12.0mm)	0.063" (1.6mm)	GOAT	20A
26AP	0.500" - 0.625" (12.7-15.9mm)	0.393" (10.0mm)	0.030" (0.76mm)	GOAT	20Q
26AQ	0.500" - 0.625" (12.7-15.9mm)	0.393" (10.0mm)	0.030" (0.76mm)	GOAT	(1)-20Q, (1)-20A
26CG	0.500" - 0.625" (12.7-15.9mm)	0.393" (10.0mm)	0.030" (0.76mm)	GOAT	20Q
26CH	0.500" - 0.625" (12.7-15.9mm)	0.393" (10.0mm)	0.030" (0.76mm)	GOAT	(1)-20Q, (1)-20A
26CV	0.500" - 0.625" (12.7-15.9mm)	0.393" (10.0mm)	0.063" (1.6mm)	GOAT	-
26CW	0.500" - 0.625" (12.7-15.9mm)	0.393" (10.0mm)	0.063" (1.6mm)	GOAT	20A
26AR	0.500" - 0.625" (12.7-15.9mm)	0.393" (10.0mm)	0.080" (2.0mm)	GOAT	20P
26AS	0.500" - 0.625" (12.7-15.9mm)	0.393" (10.0mm)	0.080" (2.0mm)	GOAT	(1)-20P, (1)-20A
26AT	0.500" - 0.625" (12.7-15.9mm)	0.393" (10.0mm)	0.109" (2.8mm)	GOAT	-
26AU	0.500" - 0.625" (12.7-15.9mm)	0.393" (10.0mm)	0.109" (2.8mm)	GOAT	20A
26Di	0.500" - 0.625" (12.7-15.9mm)	0.393" (10.0mm)	0.109" (2.8mm)	GOAT	20Q
26DJ	0.500" - 0.625" (12.7-15.9mm)	0.393" (10.0mm)	0.109" (2.8mm)	GOAT	(1)-20Q, (1)-20A
26DA	0.500" - 0.625" (12.7-15.9mm)	0.393" (10.0mm)	0.109" (2.8mm)	GOAT	20D
26DB	0.500" - 0.625" (12.7-15.9mm)	0.393" (10.0mm)	0.109" (2.8mm)	GOAT	(1)-20D, (1)-20A
26AV	0.500" - 0.625" (12.7-15.9mm)	0.393" (10.0mm)	0.078" (2.0mm)	HORSE	-
26AW	0.500" - 0.625" (12.7-15.9mm)	0.393" (10.0mm)	0.078" (2.0mm)	HORSE	20A



PRODUCT NUMBER	DIMENSION		ORIFICE SIZE	BRUSH HAIR	
	(A)	(B)		TYPE	RESTRICTOR
26GR	0.500"-0.625" (12.7-15.9mm)	0.630"-0.690" (16.0-17.5mm)	0.125" (3.2mm)	GOAT	-
26GS	0.500"-0.625" (12.7-15.9mm)	0.630"-0.690" (16.0-17.5mm)	0.125" (3.2mm)	GOAT	20A
26BR	0.500"-0.625" (12.7-15.9mm)	0.630"-0.690" (16.0-17.5mm)	0.063" (1.6mm)	GOAT	-
26BS	0.500"-0.625" (12.7-15.9mm)	0.630"-0.690" (16.0-17.5mm)	0.063" (1.6mm)	GOAT	20A
26DP	0.512"-0.591" (13.0-15.0mm)	0.465"-0.543" (11.8-13.8mm)	0.063" (1.6mm)	GOAT	-
26DQ	0.512"-0.591" (13.0-15.0mm)	0.465"-0.543" (11.8-13.8mm)	0.063" (1.6mm)	GOAT	20A
26BA	0.550"-0.787" (14.0-20.0mm)	0.512" (13.0mm)	0.109" (2.8mm)	GOAT	-
26BB	0.550"-0.787" (14.0-20.0mm)	0.512" (13.0mm)	0.109" (2.8mm)	GOAT	20A
26HP	0.512"-0.591" (13.0-15.0mm)	0.709" (18.0mm)	0.063" (1.6mm)	GOAT	-
26HQ	0.512"-0.591" (13.0-15.0mm)	0.709" (18.0mm)	0.063" (1.6mm)	GOAT	20A
26i	0.625"-1.000" (15.9-25.4mm)	0.625" (15.9mm)	3/8" x 24 N.F. 0.109" (2.8mm)	GOAT	-
26j	0.625"-1.000" (15.9-25.4mm)	0.625" (15.9mm)	3/8" x 24 N.F. 0.109" (2.8mm)	GOAT	20A
26M	0.625"-1.000" (15.9-25.4mm)	0.625" (15.9mm)	0.109" (2.8mm)	GOAT	-
26N	0.625"-1.000" (15.9-25.4mm)	0.625" (15.9mm)	0.109" (2.8mm)	GOAT	20A
26AE	0.625"-1.000" (15.9-25.4mm)	0.625" (15.9mm)	0.080" (2.0mm)	GOAT	20P
26AF	0.625"-1.000" (15.9-25.4mm)	0.625" (15.9mm)	0.080" (2.0mm)	GOAT	(1)-20P, (1)-20A
26AM	0.625"-1.000" (15.9-25.4mm)	0.625" (15.9mm)	0.030" (0.76mm)	GOAT	20Q
26AN	0.625"-1.000" (15.9-25.4mm)	0.625" (15.9mm)	0.030" (0.76mm)	GOAT	(1)-20Q, (1)-20A

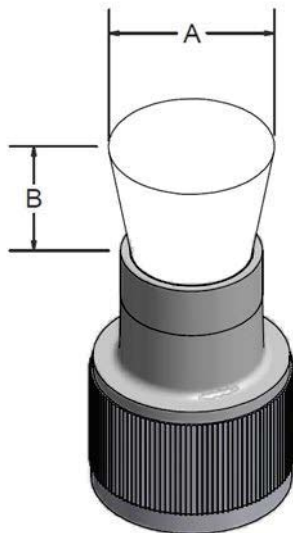
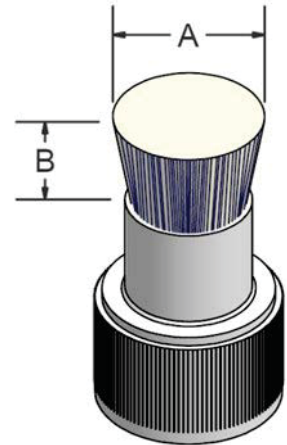


BRUSH APPLICATORS



1624 South Eber Rd., Holland, Ohio 43528
 PHONE: 419.866.0700 FAX: 419.866.0767

PRODUCT NUMBER	DIMENSION (A)	DIMENSION (B)	ORIFICE SIZE	BRUSH HAIR TYPE	RESTRICTOR
60K	0.750" (19.1mm)	0.210"-0.290" (5.3-7.3mm)	0.099" (2.5mm)	GOAT	-
60L	0.750" (19.1mm)	0.210"-0.290" (5.3-7.3mm)	0.099" (2.5mm)	GOAT	20A
60AM	0.750" (19.1mm)	0.210"-0.290" (5.3-7.3mm)	0.099" (2.5mm)	GOAT	20P
60AN	0.750" (19.1mm)	0.210"-0.290" (5.3-7.3mm)	0.099" (2.5mm)	GOAT	(1)-20P, (1)-20A
60AE	0.750" (19.1mm)	0.210"-0.290" (5.3-7.3mm)	0.030" (0.76mm)	GOAT	20Q
60AF	0.750" (19.1mm)	0.210"-0.290" (5.3-7.3mm)	0.030" (0.76mm)	GOAT	(1)-20Q, (1)-20A
60M	0.750" (19.1mm)	0.315"-0.398" (8.0-10.0mm)	0.099" (2.5mm)	GOAT	-
60N	0.750" (19.1mm)	0.315"-0.398" (8.0-10.0mm)	0.099" (2.5mm)	GOAT	20A
60T	0.750" (19.1mm)	0.315"-0.398" (8.0-10.0mm)	0.099" (2.5mm)	GOAT	20D
60U	0.750" (19.1mm)	0.315"-0.398" (8.0-10.0mm)	0.099" (2.5mm)	GOAT	(1)-20D, (1)-20A
60E	0.750" (19.1mm)	0.591" (15.0mm)	0.099" (2.5mm)	GOAT	-
60F	0.750" (19.1mm)	0.591" (15.0mm)	0.099" (2.5mm)	GOAT	20A
60i	0.750" (19.1mm)	0.591" (15.0mm)	0.032" (0.8mm)	GOAT	20Q
60J	0.750" (19.1mm)	0.591" (15.0mm)	0.032" (0.8mm)	GOAT	(1)-20Q, (1)-20A



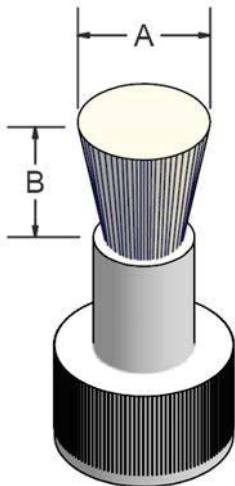
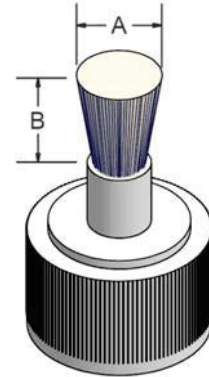
PRODUCT NUMBER	DIMENSION (A)	DIMENSION (B)	ORIFICE SIZE	BRUSH HAIR TYPE	RESTRICTOR
60AK	0.827" (21.0mm)	0.591" (15.0mm)	0.099" (2.5mm)	NYLON	-
60AL	0.827" (21.0mm)	0.591" (15.0mm)	0.099" (2.5mm)	NYLON	20A

BRUSH APPLICATORS



1624 South Eber Rd., Holland, Ohio 43528
 PHONE: 419.866.0700 FAX: 419.866.0767

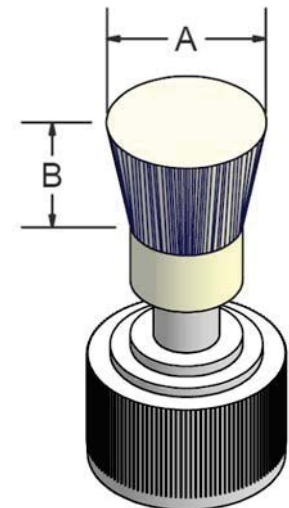
PRODUCT NUMBER	DIMENSION (A)		DIMENSION (B)		ORIFICE SIZE		BRUSH HAIR TYPE	RESTRICTOR
26AK	0.236"	(6.0mm)	0.492"	(12.5mm)	0.070"	(1.8mm)	GOAT	-
26AL	0.236"	(6.0mm)	0.492"	(12.5mm)	0.070"	(1.8mm)	GOAT	20A
26BT	0.236"	(6.0mm)	0.492"	(12.5mm)	0.030"	(0.8mm)	GOAT	(1)-20Q
26BU	0.236"	(6.0mm)	0.492"	(12.5mm)	0.030"	(0.8mm)	GOAT	(1)-20Q, (1)-20A
26DC	0.240"	(6.1mm)	0.559"	(14.2mm)	0.070"	(1.8mm)	PONY	-
26DD	0.240"	(6.1mm)	0.559"	(14.2mm)	0.070"	(1.8mm)	PONY	20A



PRODUCT NUMBER	DIMENSION (A)		DIMENSION (B)		ORIFICE SIZE		BRUSH HAIR TYPE	RESTRICTOR
26K	0.750" - 1.375" (19.0-35.0mm)		0.827"	(21.0mm)	0.109"	(2.8mm)	GOAT	-
26L	0.750" - 1.375" (19.0-35.0mm)		0.827"	(21.0mm)	0.109"	(2.8mm)	GOAT	20A

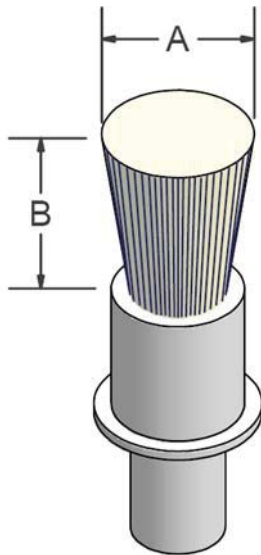
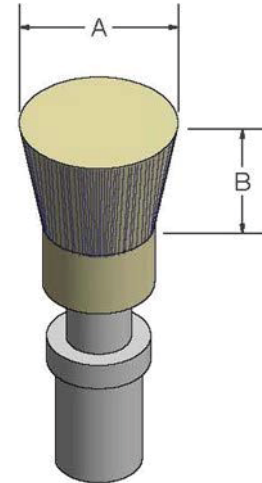
PRODUCT NUMBER	DIMENSION (A)		DIMENSION (B)		ORIFICE SIZE		BRUSH HAIR TYPE	RESTRICTOR
60C	0.875"	(22.2mm)	0.750"	(19.1mm)	0.094"	(2.4mm)	GOAT	-
60D	0.875"	(22.2mm)	0.750"	(19.1mm)	0.094"	(2.4mm)	GOAT	20B
60G*	0.875"	(22.2mm)	0.750"	(19.1mm)	0.125"	(3.2mm)	GOAT	-
60H*	0.875"	(22.2mm)	0.750"	(19.1mm)	0.125"	(3.2mm)	GOAT	20B
60AP	0.875"	(22.2mm)	0.750"	(19.1mm)	0.185"	(4.7mm)	GOAT	-
60AQ	0.875"	(22.2mm)	0.750"	(19.1mm)	0.185"	(4.7mm)	GOAT	20A

*ORIFICE THREADED-3/8"-24NF



PRODUCT NUMBER	DIMENSION (A)	DIMENSION (B)	ORIFICE SIZE	BRUSH HAIR TYPE	RESTRICTOR
60V*	0.875" (22.2mm)	0.750" (19.1mm)	0.094" (2.4mm)	GOAT	-
60W*	0.875" (22.2mm)	0.750" (19.1mm)	0.094" (2.4mm)	GOAT	20A

*ORIFICE THREADED-3/8"-24NF



PRODUCT NUMBER	DIMENSION (A)	DIMENSION (B)	ORIFICE SIZE	BRUSH HAIR TYPE	RESTRICTOR
26CX	0.500" (12.7mm)	0.394" (10.0mm)	0.109" (2.8mm)	GOAT	-
26CY	0.500" (12.7mm)	0.394" (10.0mm)	0.109" (2.8mm)	GOAT	20A
26G**	0.750"-1.375" (19.0-35.0mm)	0.827" (21.0mm)	0.109" (2.8mm)	GOAT	-
26H**	0.750"-1.375" (19.0-35.0mm)	0.827" (21.0mm)	0.109" (2.8mm)	GOAT	20A

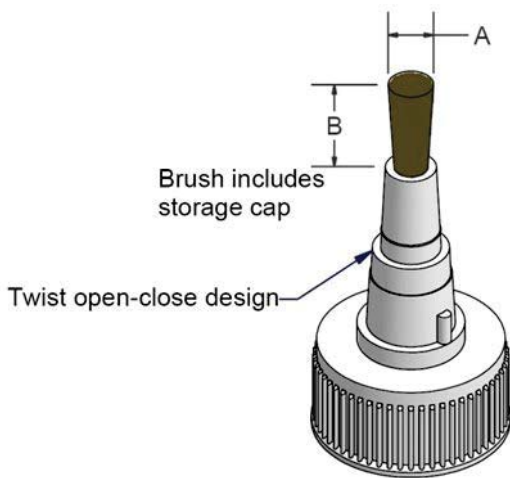
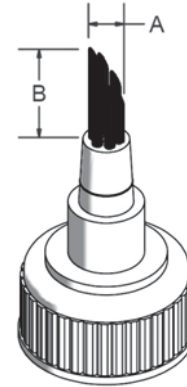
**ORIFICE THREADED-3/8"-24NF

BRUSH APPLICATORS



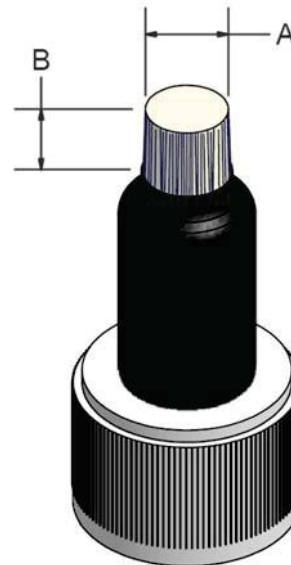
1624 South Eber Rd., Holland, Ohio 43528
 PHONE: 419.866.0700 FAX: 419.866.0767

PRODUCT NUMBER	DIMENSION (A)	DIMENSION (B)	BRUSH HAIR TYPE
74B	0.200" (5.1mm)	0.570" (14.5mm)	SYNTHETIC



PRODUCT NUMBER	DIMENSION (A)	DIMENSION (B)	BRUSH HAIR TYPE
74E	0.250" (6.4mm)	0.187" (4.7mm)	P ONY
74C	0.250" (6.4mm)	0.570" (14.5mm)	P ONY

PRODUCT NUMBER	DIMENSION (A)	DIMENSION (B)	ORIFICE SIZE	BRUSH HAIR TYPE	RESTRICTOR
26DT	0.394" (10.0mm)	0.125" (3.2mm)	0.109" (2.8mm)	GOAT	-
26DU	0.394" (10.0mm)	0.125" (3.2mm)	0.109" (2.8mm)	GOAT	20A
26DE	0.394" (10.0mm)	0.354" (9.0mm)	0.109" (2.8mm)	GOAT	-
26DF	0.394" (10.0mm)	0.354" (9.0mm)	0.109" (2.8mm)	GOAT	20A
26FC	0.394" (10.0mm)	0.453" (11.5mm)	0.109" (2.8mm)	GOAT	-
26FD	0.394" (10.0mm)	0.453" (11.5mm)	0.109" (2.8mm)	GOAT	20A
60AC	0.552" (14.0mm)	0.236" (6.0mm)	0.100" (2.5mm)	GOAT	-
60AD	0.552" (14.0mm)	0.236" (6.0mm)	0.100" (2.5mm)	GOAT	20A

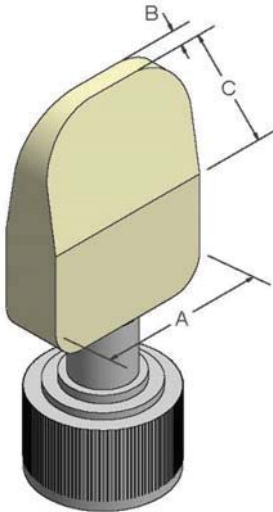
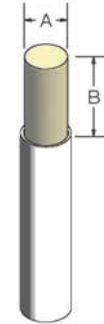


BRUSH APPLICATORS



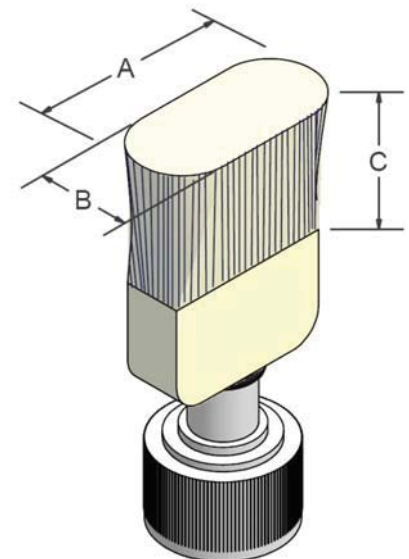
1624 South Eber Rd., Holland, Ohio 43528
 PHONE: 419.866.0700 FAX: 419.866.0767

PRODUCT NUMBER	DIMENSION (A)		DIMENSION (B)		ORIFICE SIZE		BRUSH HAIR TYPE		RESTRICTOR
74D	0.320"	(8.1mm)	0.689"	(17.5mm)	0.052"	(1.3mm)	SYNTHETIC		-

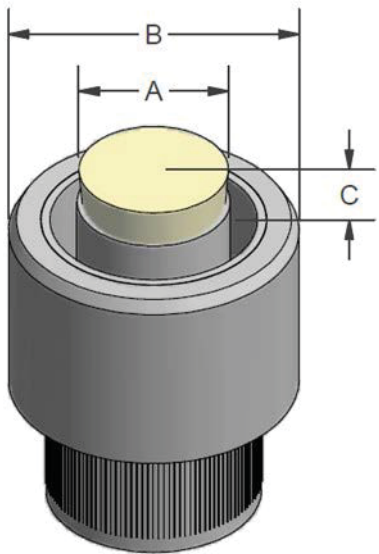
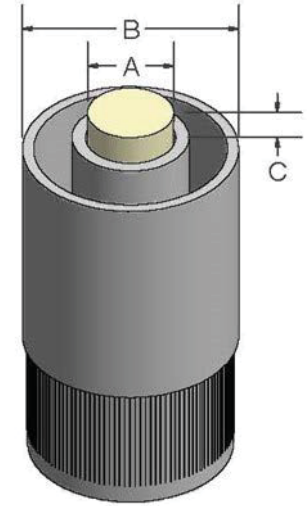


PRODUCT NUMBER	DIMENSION (A)		DIMENSION (B)		DIMENSION (C)		ORIFICE SIZE		BRUSH HAIR TYPE		RESTRICTOR
60 AA	1.378"	(35.0mm)	0.157"	(4.0mm)	1.000"	(25.4mm)	0.125"	(3.2mm)	GOAT		-
60 AB	1.378"	(35.0mm)	0.157"	(4.0mm)	1.000"	(25.4mm)	0.125"	(3.2mm)	GOAT		20B

PRODUCT NUMBER	DIMENSION (A)		DIMENSION (B)		DIMENSION (C)		ORIFICE SIZE		BRUSH HAIR TYPE		RESTRICTOR
60A	1.750"-2.250"	(44.4-57.2mm)	0.703"	(17.9mm)	1.000"	(25.4mm)	0.125"	(3.2mm)	GOAT		-
60B	1.750"-2.250"	(44.4-57.2mm)	0.703"	(17.9mm)	1.000"	(25.4mm)	0.125"	(3.2mm)	GOAT		20B
60P	1.750"-2.250"	(44.4-57.2mm)	0.703"	(17.9mm)	1.000"	(25.4mm)	0.030"	(0.8mm)	GOAT		(1)-20Q
60Q	1.750"-2.250"	(44.4-57.2mm)	0.703"	(17.9mm)	1.000"	(25.4mm)	0.030"	(0.8mm)	GOAT		(1)-20Q, (1)-20B
60R	1.750"-2.250"	(44.4-57.2mm)	0.703"	(17.9mm)	1.000"	(25.4mm)	0.080"	(2.0mm)	GOAT		(1)-20P
60S	1.750"-2.250"	(44.4-57.2mm)	0.703"	(17.9mm)	1.000"	(25.4mm)	0.080"	(2.0mm)	GOAT		(1)-20P, (1)-20B



PRODUCT NUMBER	DIMENSIONS			BRUSH HAIR	
	DIMENSION (A)	DIMENSION (B)	DIMENSION (C)	TYPE	RESTRICTOR
26DX	0.453" (11.5mm)	1.135" (28.8mm)	0.157" (4.0mm)	GOAT	-
26DY	0.453" (11.5mm)	1.135" (28.8mm)	0.157" (4.0mm)	GOAT	20A
60X	0.750" (19.1mm)	1.135" (28.8mm)	0.197" (5.0mm)	GOAT	-
60Y	0.750" (19.1mm)	1.135" (28.8mm)	0.197" (5.0mm)	GOAT	20A



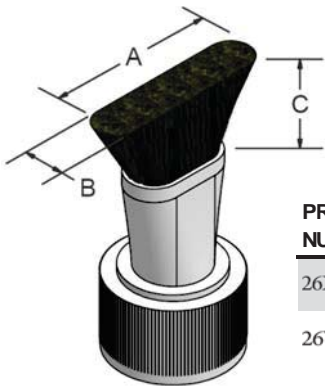
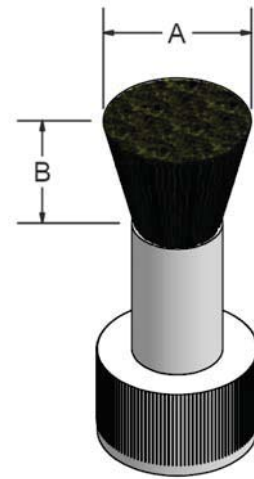
PRODUCT NUMBER	DIMENSIONS			BRUSH HAIR	
	DIMENSION (A)	DIMENSION (B)	DIMENSION (C)	TYPE	RESTRICTOR
60AG	0.669" (17.0mm)	1.457" (37.0mm)	0.197" (5.0mm)	GOAT	-
60AH	0.669" (17.0mm)	1.457" (37.0mm)	0.197" (5.0mm)	GOAT	20A
60AI	0.750" (19.1mm)	1.135" (28.8mm)	0.197" (5.0mm)	GOAT	-
60AJ	0.750" (19.1mm)	1.135" (28.8mm)	0.197" (5.0mm)	GOAT	20A

BRUSH APPLICATORS



1624 South Eber Rd., Holland, Ohio 43528
 PHONE: 419.866.0700 FAX: 419.866.0767

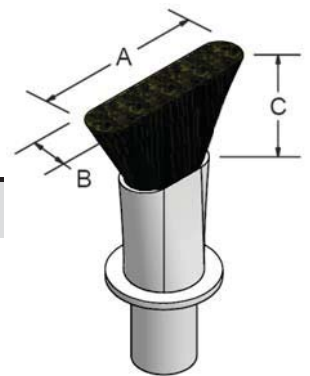
PRODUCT NUMBER	DIMENSION (A)	DIMENSION (B)	ORIFICE SIZE	BRUSH HAIR	
				TYPE	RESTRICTOR
26R	0.750" - 1.375" (19.0-35.0mm)	0.827" (21.0mm)	0.187" (4.7mm)	HORSE	-
26S	0.750" - 1.375" (19.0-35.0mm)	0.827" (21.0mm)	0.187" (4.7mm)	HORSE	20A
26AA	0.750" - 1.375" (19.0-35.0mm)	0.827" (21.0mm)	0.078" (2.0mm)	HORSE	-
26AB	0.750" - 1.375" (19.0-35.0mm)	0.827" (21.0mm)	0.078" (2.0mm)	HORSE	20A



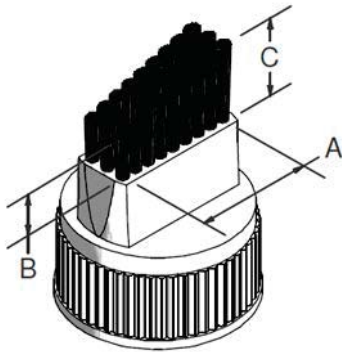
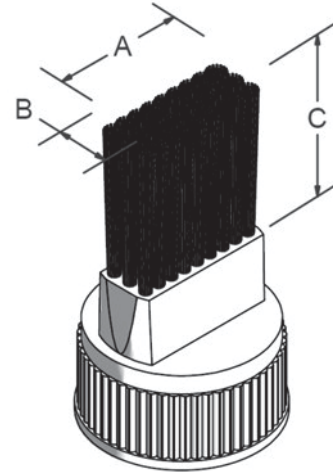
PRODUCT NUMBER	DIMENSION (A)	DIMENSION (B)	DIMENSION (C)	ORIFICE SIZE	BRUSH HAIR	
					TYPE	RESTRICTOR
26X	1.250" - 1.500" (31.8-38.1mm)	0.236" - 0.315" (6.0-8.0 mm)	0.830" (21.1mm)	0.187" (4.7mm)	HORSE	-
26Y	1.250" - 1.500" (31.8-38.1mm)	0.236" - 0.315" (6.0-8.0 mm)	0.830" (21.1mm)	0.187" (4.7mm)	HORSE	20A

PRODUCT NUMBER	DIMENSION (A)	DIMENSION (B)	DIMENSION (C)	ORIFICE SIZE	BRUSH HAIR	
					TYPE	RESTRICTOR
26X	1.250" - 1.500" (31.8-38.1mm)	0.236" - 0.315" (6.0-8.0 mm)	0.830" (21.1mm)	0.187" (4.7mm)	HORSE	-
26Y	1.250" - 1.500" (31.8-38.1mm)	0.236" - 0.315" (6.0-8.0 mm)	0.830" (21.1mm)	0.187" (4.7mm)	HORSE	20A

*ORIFICE THREADED-3/8" -24NF



PRODUCT NUMBER	DIMENSION (A)	DIMENSION (B)	DIMENSION (C)	BRUSH HAIR TYPE
74A	0.875" (22.2mm)	0.313" (8.0mm)	0.984" (25.0mm)	SYNTHETIC



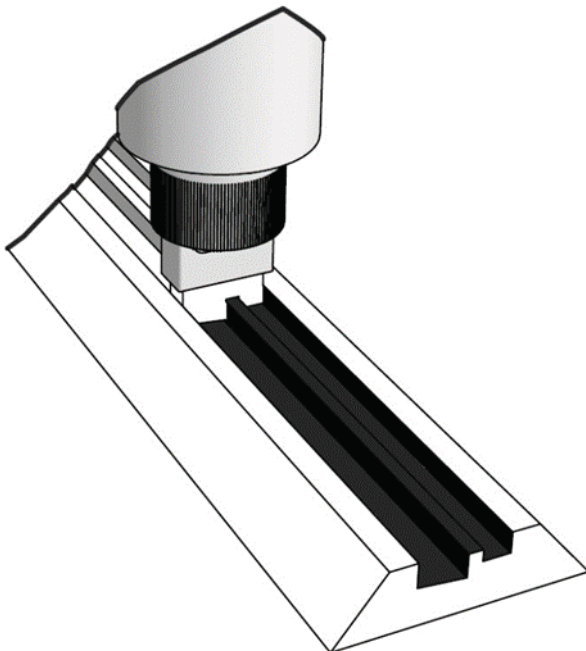
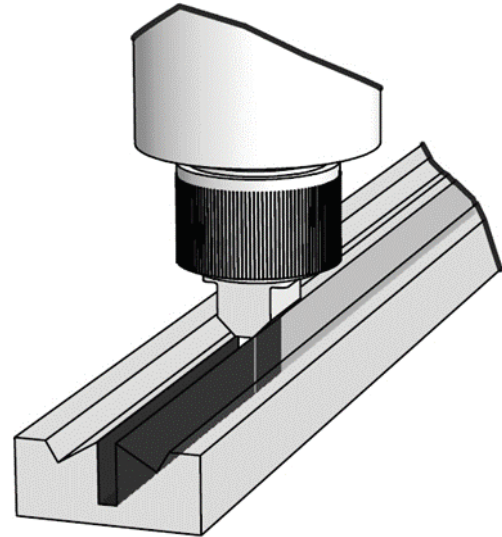
PRODUCT NUMBER	DIMENSION (A)	DIMENSION (B)	DIMENSION (C)	BRUSH HAIR TYPE
74A	0.875" (22.2mm)	0.313" (8.0mm)	0.984" (25.0mm)	SYNTHETIC

CHANNEL APPLICATORS



1624 South Eber Rd., Holland, Ohio 43528
PHONE: 419.866.0700 FAX: 419.866.0767

If your operation calls for coating the interior surfaces of metal, plastic, or rubber channels, the Designnetics Channel Applicators are the perfect solution for covering all surfaces evenly and completely.



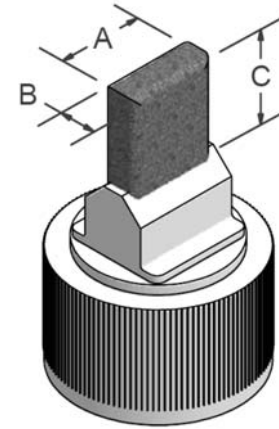
Many standard Channel Applicators are available to fit various shape, size, and material requirements. Custom applicators are designed to meet specialized application requirements.

CHANNEL APPLICATORS

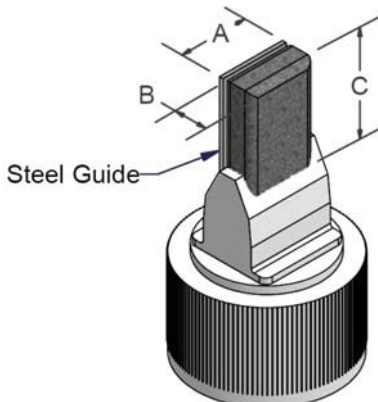


1624 South Eber Rd., Holland, Ohio 43528
 PHONE: 419.866.0700 FAX: 419.866.0767

PRODUCT NUMBER	DIMENSION			MESH / FELT		RESTRICTOR
	(A)	(B)	(C)	TYPE		
43C*	0.500" (12.7mm)	0.098" (2.5mm)	0.394" (10.0mm)	92	-	
43D*	0.500" (12.7mm)	0.098" (2.5mm)	0.394" (10.0mm)	92	20A	
23AG	0.500" (12.7mm)	0.118" (3.0mm)	0.500" (12.7mm)	92	-	
23AH	0.500" (12.7mm)	0.118" (3.0mm)	0.500" (12.7mm)	92	20A	
23G	0.500" (12.7mm)	0.188" (4.8mm)	0.500" (12.7mm)	92	-	
23H	0.500" (12.7mm)	0.188" (4.8mm)	0.500" (12.7mm)	92	20A	
23EG	0.500" (12.7mm)	0.197" (5.0mm)	0.591" (15.0mm)	92	20Q	
23EH	0.500" (12.7mm)	0.197" (5.0mm)	0.591" (15.0mm)	92	(I)-20Q, (I)-20E	
23Ei	0.500" (12.7mm)	0.197" (5.0mm)	0.591" (15.0mm)	92	20P	
23EJ	0.500" (12.7mm)	0.197" (5.0mm)	0.591" (15.0mm)	92	(I)-20P, (I)-20E	
23JE	0.500" (12.7mm)	0.250" (6.4mm)	0.591" (15.0mm)	92	-	
23JF	0.500" (12.7mm)	0.250" (6.4mm)	0.591" (15.0mm)	92	20A	
23DM	0.625" (15.9mm)	0.197" (5.0mm)	0.787" (20.0mm)	92	-	
23DN	0.625" (15.9mm)	0.197" (5.0mm)	0.787" (20.0mm)	92	20A	
23HR	0.625" (15.9mm)	0.197" (5.0mm)	0.787" (20.0mm)	92	-	
23HS	0.625" (15.9mm)	0.197" (5.0mm)	0.787" (20.0mm)	92	20A	
23CG	0.625" (15.9mm)	0.197" (5.0mm)	1.000" (25.4mm)	92	-	
23CH	0.625" (15.9mm)	0.197" (5.0mm)	1.000" (25.4mm)	92	20A	
23AX**	0.625" (15.9mm)	0.250" (6.4mm)	1.000" (25.4mm)	92	-	
23AY**	0.625" (15.9mm)	0.250" (6.4mm)	1.000" (25.4mm)	92	20A	
23E	0.625" (15.9mm)	0.250" (6.4mm)	1.000" (25.4mm)	92	-	
23F	0.625" (15.9mm)	0.250" (6.4mm)	1.000" (25.4mm)	92	20A	
23Bi	0.625" (15.9mm)	0.250" (6.4mm)	1.000" (25.4mm)	92	20Q	
23BJ	0.625" (15.9mm)	0.250" (6.4mm)	1.000" (25.4mm)	92	(I)-20Q, (I)-20A	
23X	0.625" (15.9mm)	0.250" (6.4mm)	1.000" (25.4mm)	03	-	
23Y	0.625" (15.9mm)	0.250" (6.4mm)	1.000" (25.4mm)	03	20A	
23CX	0.630" (16.0mm)	0.118" (3.0mm)	0.984" (25.0mm)	92	20P	
23CY	0.630" (16.0mm)	0.118" (3.0mm)	0.984" (25.0mm)	92	(I)-20P, (I)-20A	



* One side only primes 1/16" from top
 ** Both sides only primes 1/16" from top



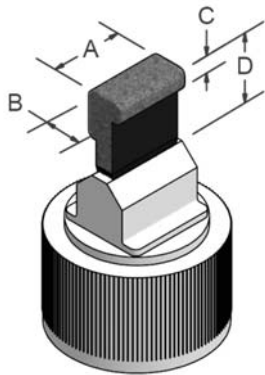
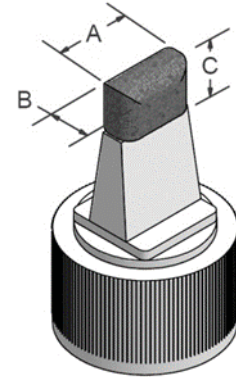
PRODUCT NUMBER	DIMENSION			MESH TYPE	RESTRICTOR
	(A)	(B)	(C)		
23CA	0.500" (12.7mm)	0.118" (3.0mm)	0.500" (12.7mm)	92	-
23CB	0.500" (12.7mm)	0.118" (3.0mm)	0.500" (12.7mm)	92	20A

CHANNEL APPLICATORS



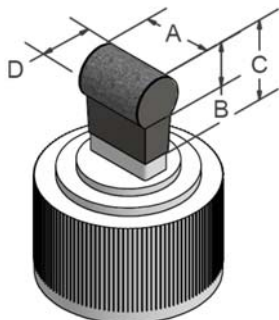
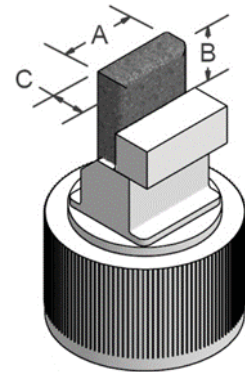
1624 South Eber Rd., Holland, Ohio 43528
 PHONE: 419.866.0700 FAX: 419.866.0767

PRODUCT NUMBER	DIMENSION (A)	DIMENSION (B)	DIMENSION (C)	MESH TYPE	RESTRICTOR
23 P	0.500" (12.7mm)	0.250" (6.4mm)	0.250" (6.4mm)	92	-
23 Q	0.500" (12.7mm)	0.250" (6.4mm)	0.250" (6.4mm)	92	20A



PRODUCT NUMBER	DIMENSION (A)	DIMENSION (B)	DIMENSION (C)	DIMENSION (D)	MESH TYPE	RESTRICTOR
43 A*	0.500" (12.7mm)	0.250" (6.4mm)	0.250" (6.4mm)	0.500" (12.7mm)	92	-
43 B*	0.500" (12.7mm)	0.250" (6.4mm)	0.250" (6.4mm)	0.500" (12.7mm)	92	20A

PRODUCT NUMBER	DIMENSION (A)	DIMENSION (B)	DIMENSION (C)	MESH TYPE	RESTRICTOR
43 G**	0.500" (12.7mm)	0.276" (7.0mm)	0.098" (2.5mm)	92	-
43 H**	0.500" (12.7mm)	0.276" (7.0mm)	0.098" (2.5mm)	92	20A



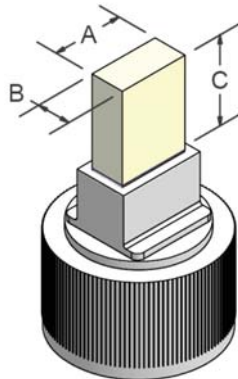
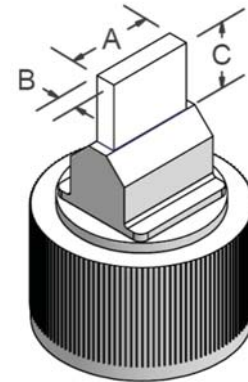
PRODUCT NUMBER	DIMENSION (A)	DIMENSION (B)	DIMENSION (C)	DIMENSION (D)	MESH TYPE	RESTRICTOR
37 A	0.500" (12.7mm)	0.375" (9.5mm)	0.750" (19.1mm)	0.375" (9.5mm)	92	-
37 B	0.500" (12.7mm)	0.375" (9.5mm)	0.750" (19.1mm)	0.375" (9.5mm)	92	20A

CHANNEL APPLICATORS



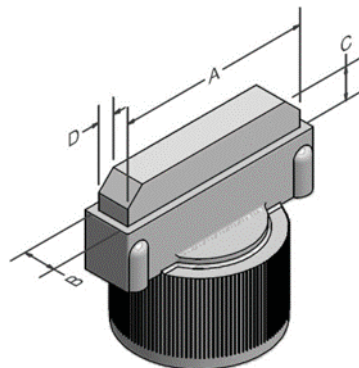
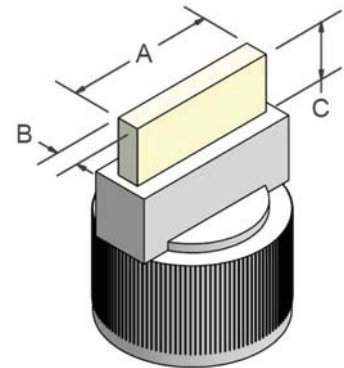
1624 South Eber Rd., Holland, Ohio 43528
 PHONE: 419.866.0700 FAX: 419.866.0767

PRODUCT NUMBER	DIMENSION (A)	DIMENSION (B)	DIMENSION (C)	FELT TYPE	RESTRICTOR
43T	0.500" (12.7mm)	0.125" (3.2mm)	0.236" (6.0mm)	13	-
43U	0.500" (12.7mm)	0.125" (3.2mm)	0.236" (6.0mm)	13	20A
43i	0.500" (12.7mm)	0.125" (3.2mm)	0.315" (8.0mm)	09	-
43J	0.500" (12.7mm)	0.125" (3.2mm)	0.315" (8.0mm)	09	20A
43P	0.500" (12.7mm)	0.125" (3.2mm)	0.433" (11.0mm)	09	-
43Q	0.500" (12.7mm)	0.125" (3.2mm)	0.433" (11.0mm)	09	20A
43K	0.500" (12.7mm)	0.125" (3.2mm)	0.512" (13.0mm)	09	-
43L	0.500" (12.7mm)	0.125" (3.2mm)	0.512" (13.0mm)	09	20A
43X	0.500" (12.7mm)	0.188" (4.8mm)	0.362" (9.2mm)	05	-
43Y	0.500" (12.7mm)	0.188" (4.8mm)	0.362" (9.2mm)	05	20A
43V	0.500" (12.7mm)	0.188" (4.8mm)	0.433" (11.0mm)	05	-
43W	0.500" (12.7mm)	0.188" (4.8mm)	0.433" (11.0mm)	05	20A



PRODUCT NUMBER	DIMENSION (A)	DIMENSION (B)	DIMENSION (C)	FELT TYPE	RESTRICTOR
23FE	0.473" (12.0mm)	0.362" (9.2mm)	0.630" (16.0mm)	34 & 95	-
23FF	0.473" (12.0mm)	0.362" (9.2mm)	0.630" (16.0mm)	34 & 95	20A
23Di	0.500" (12.7mm)	0.188" (4.8mm)	0.394" (10.0mm)	08	-
23DJ	0.500" (12.7mm)	0.188" (4.8mm)	0.394" (10.0mm)	08	20A
23C	0.500" (12.7mm)	0.188" (4.8mm)	0.590" (15.0mm)	08	-
23D	0.500" (12.7mm)	0.188" (4.8mm)	0.590" (15.0mm)	08	20A
43M	0.500" (12.7mm)	0.197" (5.0mm)	0.591" (15.0mm)	28	-
43N	0.500" (12.7mm)	0.197" (5.0mm)	0.591" (15.0mm)	28	20A
23A	0.500" (12.7mm)	0.250" (6.4mm)	0.590" (15.0mm)	07	-
23B	0.500" (12.7mm)	0.250" (6.4mm)	0.590" (15.0mm)	07	20A
23DZ	0.531" (13.5mm)	0.250" (6.4mm)	0.394" (10.0mm)	04	(2)-20A, (1)-20G

PRODUCT NUMBER	DIMENSION (A)	DIMENSION (B)	DIMENSION (C)	DIMENSION (D)	FELT TYPE	RESTRICTOR
38BP	1.472" (37.4mm)	0.250" (6.4mm)	0.250" (6.4mm)	0.125" (3.2mm)	04	-
38BQ	1.472" (37.4mm)	0.250" (6.4mm)	0.250" (6.4mm)	0.125" (3.2mm)	04	20A



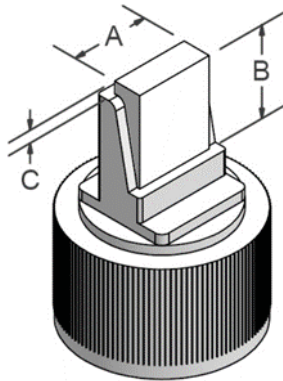
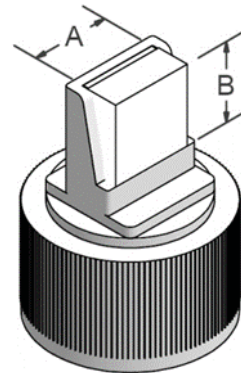
PRODUCT NUMBER	DIMENSION (A)	DIMENSION (B)	DIMENSION (C)	DIMENSION (D)	FELT TYPE	RESTRICTOR
38BP	1.472" (37.4mm)	0.250" (6.4mm)	0.250" (6.4mm)	0.125" (3.2mm)	4	-
38BQ	1.472" (37.4mm)	0.250" (6.4mm)	0.250" (6.4mm)	0.125" (3.2mm)	4	20A

CHANNEL APPLICATORS



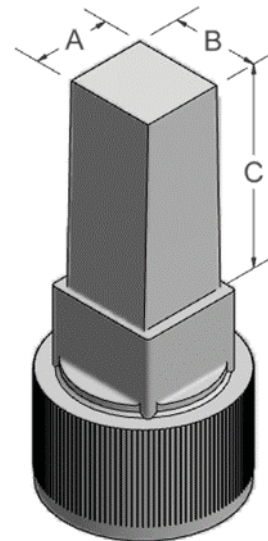
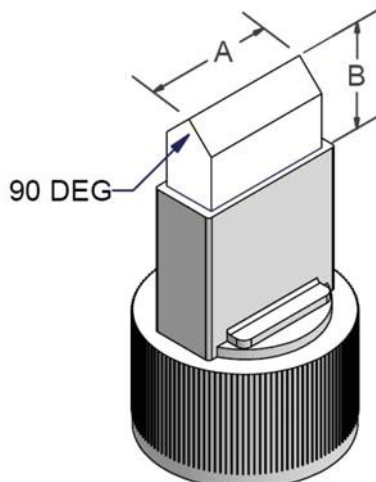
1624 South Eber Rd., Holland, Ohio 43528
 PHONE: 419.866.0700 FAX: 419.866.0767

PRODUCT NUMBER	DIMENSION (A)	DIMENSION (B)	FELT TYPE	RESTRICTOR
43 A A	0.500" (12.7mm)	0.250" (6.4mm)	16	-
43 A B	0.500" (12.7mm)	0.250" (6.4mm)	16	20A
43 E	0.500" (12.7mm)	0.394" (10.0mm)	16	-
43 F	0.500" (12.7mm)	0.394" (10.0mm)	16	20A



PRODUCT NUMBER	DIMENSION (A)	DIMENSION (B)	DIMENSION (C)	FELT TYPE	RESTRICTOR
43 R	0.500" (12.7mm)	0.591" (15.0mm)	0.079" (2.0mm)	16	-
43 S	0.500" (12.7mm)	0.591" (15.0mm)	0.079" (2.0mm)	16	20A
44 C T	0.750" (19.1mm)	0.591" (15.0mm)	0.197" (5.0mm)	20	20Q
44 C U	0.750" (19.1mm)	0.591" (15.0mm)	0.197" (5.0mm)	20	(1)-20A, (1)-20Q

PRODUCT NUMBER	DIMENSION (A)	DIMENSION (B)	DIMENSION (C)	FELT TYPE	RESTRICTOR
28 K	0.472" (12.0mm)	0.625" (15.9mm)	1.220" (31.0mm)	10	20P
28 L	0.472" (12.0mm)	0.625" (15.9mm)	1.220" (31.0mm)	10	(1)-20D, (1)-20P



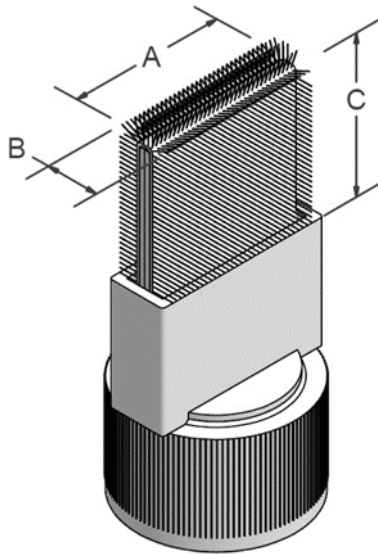
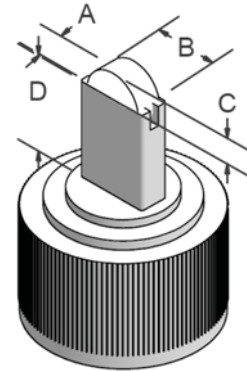
PRODUCT NUMBER	DIMENSION (A)	DIMENSION (B)	FELT TYPE	RESTRICTOR
44 E P	0.750" (19.1mm)	0.500" (12.7mm)	20	-
44 E Q	0.750" (19.1mm)	0.500" (12.7mm)	20	20A
44 B A	0.750" (19.1mm)	0.500" (12.7mm)	20	20P
44 B B	0.750" (19.1mm)	0.500" (12.7mm)	20	(1)-20A, (1)-20P

CHANNEL APPLICATORS



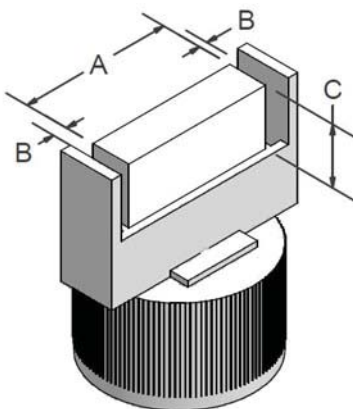
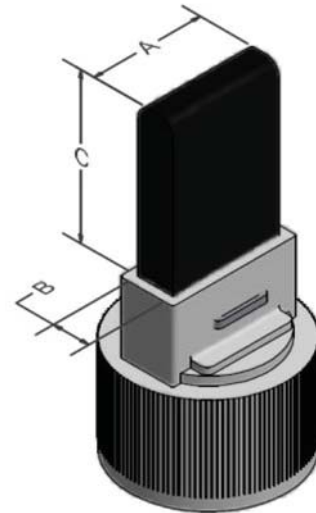
1624 South Eber Rd., Holland, Ohio 43528
 PHONE: 419.866.0700 FAX: 419.866.0767

PRODUCT NUMBER	DIMENSION (A)	DIMENSION (B)	DIMENSION (C)	DIMENSION (D)	FELT TYPE	RESTRICTOR
37C	0.125" (3.2mm)	0.375" (9.5mm)	0.188" (4.8mm)	0.625" (15.9mm)	03	-
37D	0.125" (3.2mm)	0.375" (9.5mm)	0.188" (4.8mm)	0.625" (15.9mm)	03	20A



PRODUCT NUMBER	DIMENSION (A)	DIMENSION (B)	DIMENSION (C)	MOHAIR TYPE	RESTRICTOR
32Ei	1.000" (25.4mm)	0.433" (11.0mm)	0.512" (13.0mm)	90	-
32EJ	1.000" (25.4mm)	0.433" (11.0mm)	0.512" (13.0mm)	90	20A
32DM	1.000" (25.4mm)	0.433" (11.0mm)	0.906" (23.0mm)	90	20Q
32DN	1.000" (25.4mm)	0.433" (11.0mm)	0.906" (23.0mm)	90	(I)-20A, (I)-20Q

PRODUCT NUMBER	DIMENSION (A)	DIMENSION (B)	DIMENSION (C)	CLOTH TYPE	RESTRICTOR
44EA	1.000" (25.4mm)	0.435" (11.0mm)	0.532" (13.5mm)	77	20Q
44EB	1.000" (25.4mm)	0.435" (11.0mm)	0.532" (13.5mm)	77	(I)-20A, (I)-20Q
44EM	1.000" (25.4mm)	0.443" (11.3mm)	0.532" (13.5mm)	78	20Q
44EN	1.000" (25.4mm)	0.443" (11.3mm)	0.532" (13.5mm)	78	(I)-20A, (I)-20Q
44DM	1.000" (25.4mm)	0.435" (11.0mm)	1.000" (25.4mm)	77	20Q
44DN	1.000" (25.4mm)	0.435" (11.0mm)	1.000" (25.4mm)	77	(I)-20A, (I)-20Q



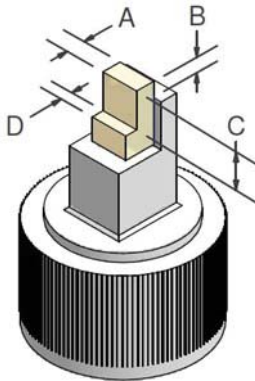
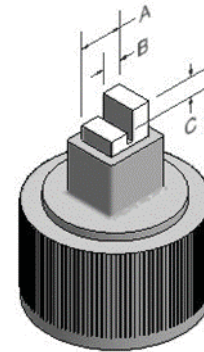
PRODUCT NUMBER	DIMENSION (A)	DIMENSION (B)	DIMENSION (C)	FELT TYPE	RESTRICTOR
27DA	1.024" (26.0mm)	0.103" (2.6mm)	0.380" (9.7mm)	04	-
27DB	1.024" (26.0mm)	0.103" (2.6mm)	0.380" (9.7mm)	04	20A

CHANNEL APPLICATORS



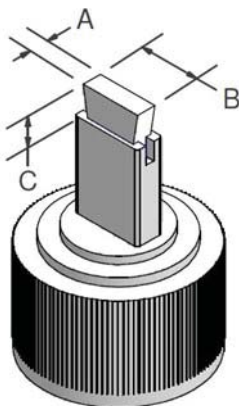
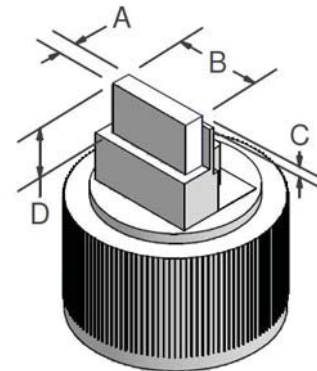
1624 South Eber Rd., Holland, Ohio 43528
 PHONE: 419.866.0700 FAX: 419.866.0767

PRODUCT NUMBER	DIMENSION (A)	DIMENSION (B)	DIMENSION (C)	FELT TYPE	RESTRICTOR
46EG	0.322" (8.2mm)	0.131" (3.3mm)	0.138" (3.5mm)	04	-
46EH	0.322" (8.2mm)	0.131" (3.3mm)	0.138" (3.5mm)	04	20A



PRODUCT NUMBER	DIMENSION (A)	DIMENSION (B)	DIMENSION (C)	DIMENSION (D)	FELT TYPE	RESTRICTOR
46CM	0.125" (3.2mm)	0.098" (2.5mm)	0.250" (6.4mm)	0.080" (2.0mm)	07	-
46CN	0.125" (3.2mm)	0.098" (2.5mm)	0.250" (6.4mm)	0.080" (2.0mm)	07	20A

PRODUCT NUMBER	DIMENSION (A)	DIMENSION (B)	DIMENSION (C)	DIMENSION (D)	FELT TYPE	RESTRICTOR
11AV	0.125" (3.2mm)	0.500" (12.7mm)	0.059" (1.5mm)	0.294" (7.5mm)	09	-
11AW	0.125" (3.2mm)	0.500" (12.7mm)	0.059" (1.5mm)	0.294" (7.5mm)	09	20A



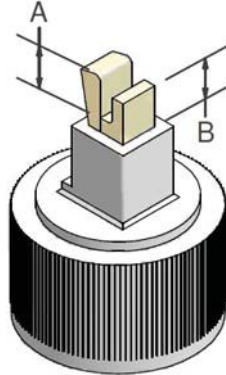
PRODUCT NUMBER	DIMENSION (A)	DIMENSION (B)	DIMENSION (C)	FELT TYPE	RESTRICTOR
37E	0.125" (3.2mm)	0.394" (10.0mm)	0.197" (5.0mm)	09	-
37F	0.125" (3.2mm)	0.394" (10.0mm)	0.197" (5.0mm)	09	20A

CHANNEL APPLICATORS

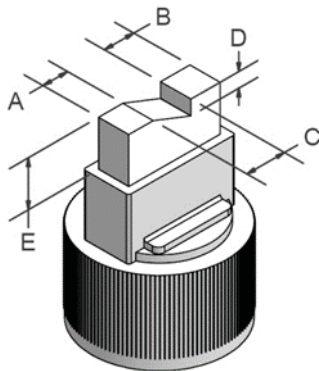


1624 South Eber Rd., Holland, Ohio 43528
 PHONE: 419.866.0700 FAX: 419.866.0767

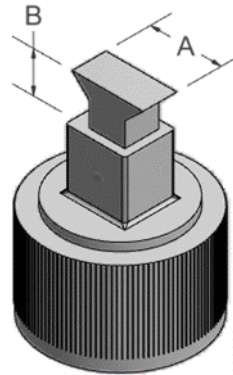
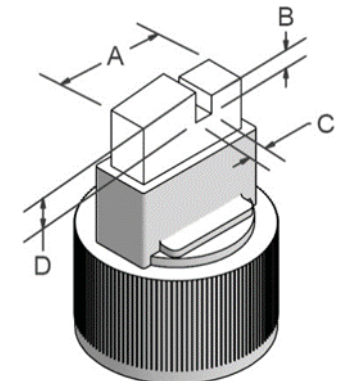
PRODUCT NUMBER	DIMENSION (A)	DIMENSION (B)	FELT TYPE	RESTRICTOR
46CG	0.512" (13.0mm)	0.295" (7.5mm)	20	-
46CH	0.512" (13.0mm)	0.295" (7.5mm)	20	20A



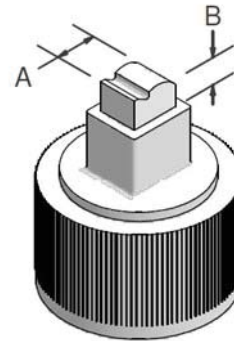
PRODUCT NUMBER	DIMENSION (A)	DIMENSION (B)	FELT TYPE	RESTRICTOR
46CK	0.310" (7.9mm)	0.138" (3.5mm)	04	-
46CL	0.310" (7.9mm)	0.138" (3.5mm)	04	20A



PRODUCT NUMBER	DIMENSION (A)	DIMENSION (B)	DIMENSION (C)	DIMENSION (D)	FELT TYPE	RESTRICTOR
44BC	0.750" (19.1mm)	0.118" (3.0mm)	0.118" (3.0mm)	0.197" (5.0mm)	20	-
44BD	0.750" (19.1mm)	0.118" (3.0mm)	0.118" (3.0mm)	0.197" (5.0mm)	20	20A



PRODUCT NUMBER	DIMENSION (A)	DIMENSION (B)	FELT TYPE	RESTRICTOR
46Ci	0.255" (6.5mm)	0.252" (6.4mm)	07	-
46CJ	0.255" (6.5mm)	0.252" (6.4mm)	07	20A



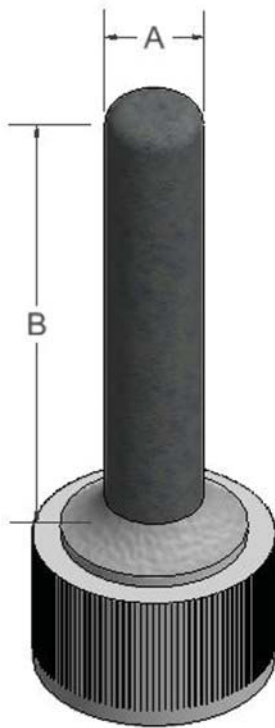
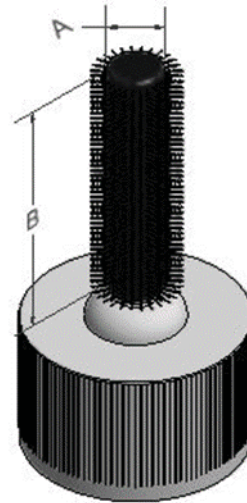
PRODUCT NUMBER	DIMENSION (A)	DIMENSION (B)	DIMENSION (C)	DIMENSION (D)	DIMENSION (E)	FELT TYPE	RESTRICTOR
44CC	0.197" (5.0mm)	0.236" (6.0mm)	0.315" (8.0mm)	0.118" (3.0mm)	0.315" (8.0mm)	04	-
44CD	0.197" (5.0mm)	0.236" (6.0mm)	0.315" (8.0mm)	0.118" (3.0mm)	0.315" (8.0mm)	04	20A

CHANNEL APPLICATORS



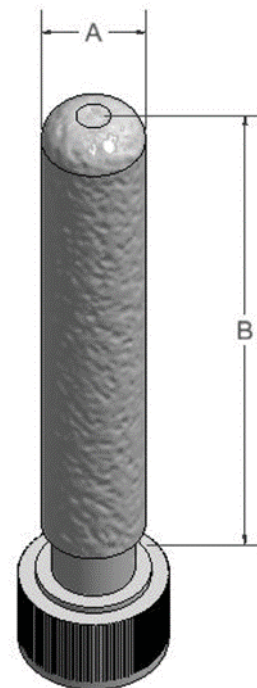
1624 South Eber Rd., Holland, Ohio 43528
 PHONE: 419.866.0700 FAX: 419.866.0767

PRODUCT NUMBER	DIMENSION (A)	DIMENSION (B)	FELT TYPE	RESTRICTOR
8 IE	0.430" (10.9mm)	1.280" (32.5mm)	96	-
8 IF	0.430" (10.9mm)	1.280" (32.5mm)	96	20A
8 II	0.430" (10.9mm)	1.280" (32.5mm)	96	20Q
8 IJ	0.430" (10.9mm)	1.280" (32.5mm)	96	(I)-20A, (I)-20Q



PRODUCT NUMBER	DIMENSION (A)	DIMENSION (B)	FELT TYPE	RESTRICTOR
26 FM	0.445" (11.3mm)	2.362" (60.0mm)	79	-
26 FN	0.445" (11.3mm)	2.362" (60.0mm)	79	20A
26 FT	0.453" (11.5mm)	1.181" (30.0mm)	77	-
26 FU	0.453" (11.5mm)	1.181" (30.0mm)	77	20A
26 DV	0.453" (11.5mm)	2.205" (56.0mm)	29	-
26 DW	0.453" (11.5mm)	2.205" (56.0mm)	29	20A

PRODUCT NUMBER	DIMENSION (A)	DIMENSION (B)	FELT TYPE	RESTRICTOR
26 FK	1.250" (31.8mm)	4.000" (101.6mm)	77 & 96	-
26 FL	1.250" (31.8mm)	4.000" (101.6mm)	77 & 96	20A
26 FI	1.299" (33.0mm)	4.000" (101.6mm)	76 & 95	-
26 FJ	1.299" (33.0mm)	4.000" (101.6mm)	76 & 95	20A

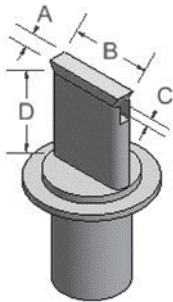
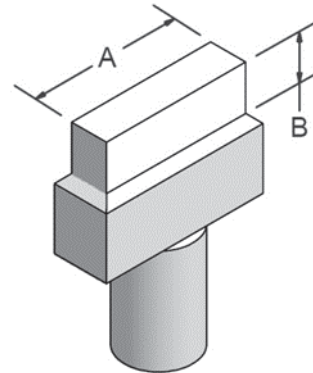


CHANNEL APPLICATORS



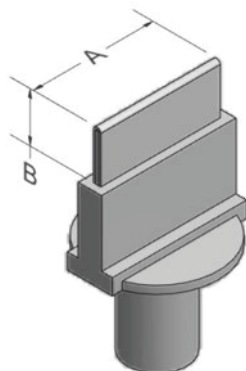
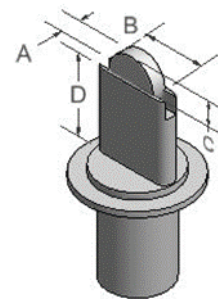
1624 South Eber Rd., Holland, Ohio 43528
 PHONE: 419.866.0700 FAX: 419.866.0767

PRODUCT NUMBER	DIMENSION (A)	DIMENSION (B)	FELT TYPE	RESTRICTOR
32CR	1.000" (25.4mm)	0.375" (9.5mm)	04	-
32CS	1.000" (25.4mm)	0.375" (9.5mm)	04	20A



PRODUCT NUMBER	DIMENSION (A)	DIMENSION (B)	DIMENSION (C)	DIMENSION (D)	FELT TYPE	RESTRICTOR
37K	0.157" (4.0mm)	0.315" (8.0mm)	0.100" (2.5mm)	0.025" (0.6mm)	09	-
37L	0.157" (4.0mm)	0.315" (8.0mm)	0.100" (2.5mm)	0.025" (0.6mm)	09	20A
37i	0.157" (4.0mm)	0.582" (14.8mm)	0.100" (2.5mm)	0.025" (0.6mm)	09	-
37J	0.157" (4.0mm)	0.582" (14.8mm)	0.100" (2.5mm)	0.025" (0.6mm)	09	20A

PRODUCT NUMBER	DIMENSION (A)	DIMENSION (B)	DIMENSION (C)	DIMENSION (D)	FELT TYPE	RESTRICTOR
37G	0.165" (4.2mm)	0.375" (9.5mm)	0.188" (4.8mm)	0.625" (15.9mm)	03	-
37H	0.165" (4.2mm)	0.375" (9.5mm)	0.188" (4.8mm)	0.625" (15.9mm)	03	20A

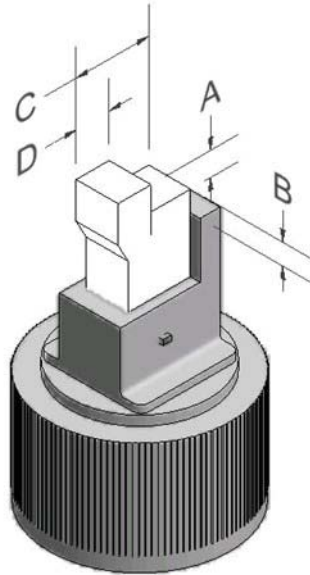


PRODUCT NUMBER	DIMENSION (A)	DIMENSION (B)	FELT TYPE	RESTRICTOR
32FT	1.000" (25.4mm)	0.394" (10.0mm)	27	-
32FU	1.000" (25.4mm)	0.394" (10.0mm)	27	20A

CHANNEL APPLICATORS

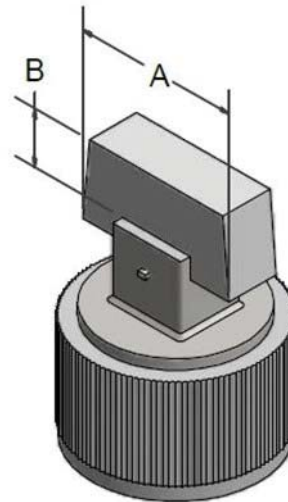


1624 South Eber Rd., Holland, Ohio 43528
 PHONE: 419.866.0700 FAX: 419.866.0767



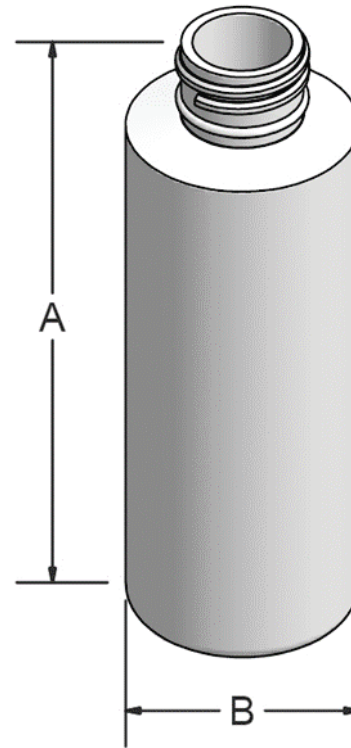
PRODUCT NUMBER	DIMENSION (A)	DIMENSION (B)	DIMENSION (C)	DIMENSION (D)	FELT TYPE	RESTRICTOR
23JA	0.157" (4.0mm)	0.118" (3.0mm)	0.433" (11.0mm)	0.197" (5.0mm)	04	-
23JB	0.157" (4.0mm)	0.118" (3.0mm)	0.433" (11.0mm)	0.197" (5.0mm)	04	20A

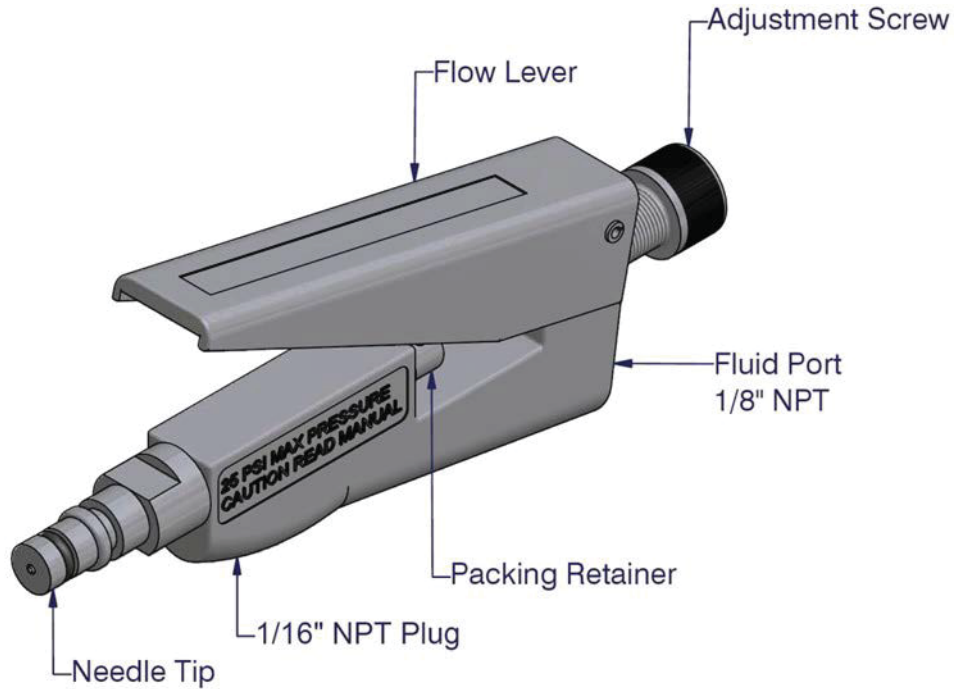
PRODUCT NUMBER	DIMENSION (A)	DIMENSION (B)	FELT TYPE	RESTRICTOR
87A	0.925" (23.5mm)	0.324" (8.2mm)	20	-
87B	0.925" (23.5mm)	0.324" (8.2mm)	20	20A



BOTTLES

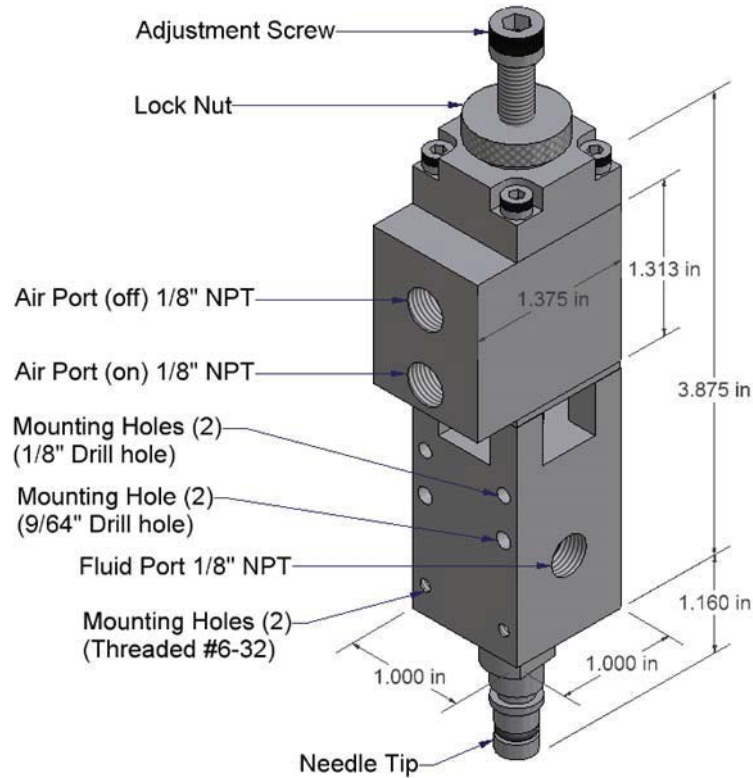
PRODUCT NUMBER	DIMENSION (A)		DIMENSION (B)		CAPACITY	MATERIAL
					oz. (ml)	
21C	3.625"	(92.1mm)	1.362"	(34.6mm)	2oz. (59ml)	H.D.P.E
21H	3.625"	(92.1mm)	1.362"	(34.6mm)	2oz. (59ml)	L.D.P.E
21A	4.750"	(120.7mm)	1.625"	(41.3mm)	4oz. (118ml)	H.D.P.E
21D	4.750"	(120.7mm)	1.625"	(41.3mm)	4oz. (118ml)	L.D.P.E
21AF	4.750"	(120.7mm)	1.625"	(41.3mm)	4oz. (118ml)	H.D.P.E FLUORINATED
21B	6.250"	(158.8mm)	2.000"	(50.8mm)	8oz. (236ml)	H.D.P.E
21BF	6.250"	(158.8mm)	2.000"	(50.8mm)	8oz. (236ml)	H.D.P.E FLUORINATED
21E	6.250"	(158.8mm)	2.000"	(50.8mm)	8oz. (236ml)	L.D.P.E
21F	7.750"	(196.9mm)	2.420"	(61.5mm)	16oz. (472ml)	H.D.P.E





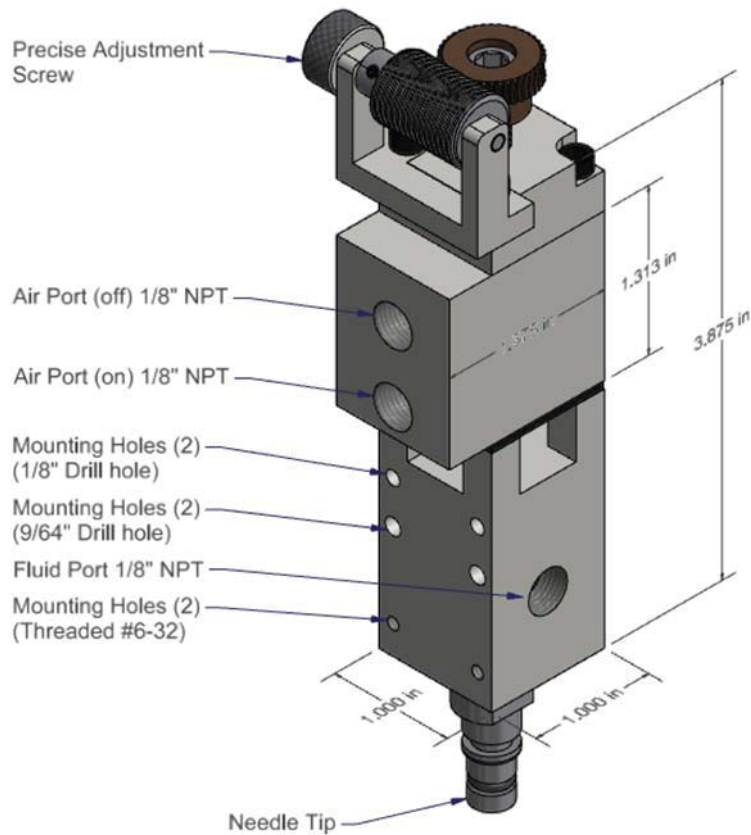
- Constructed of stainless steel
- Can be fed from a pump, pressure pot, or gravity system
- Designed for fluid application over a varying range of viscosities
- Fits most Designnetics Applicators
- Accurate flow adjustment
- Open packing retainer for quick maintenance
- Easy flow actuation

Rebuild kit part number 2090 available separately



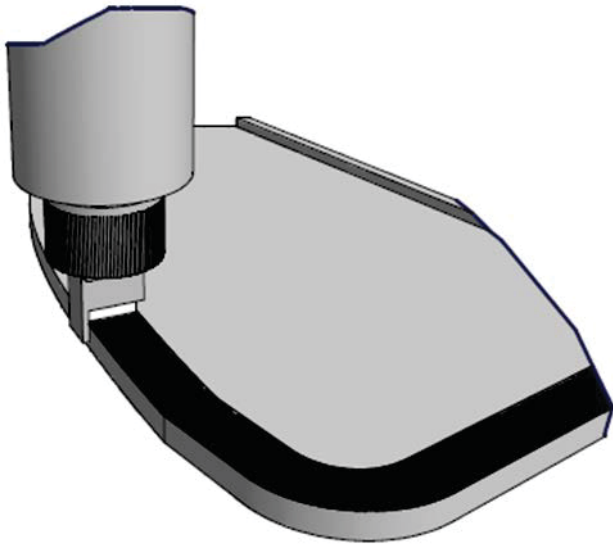
- Constructed of stainless steel
- Can be fed from a pump, pressure pot, or gravity system
- Designed for fluid application over a varying range of viscosities
- Fits most Designetics Applicators
- Accurate flow adjustment
- Positive pneumatic on and off
- Open packing retainer for quick maintenance

Rebuild kit part number 5090 available separately

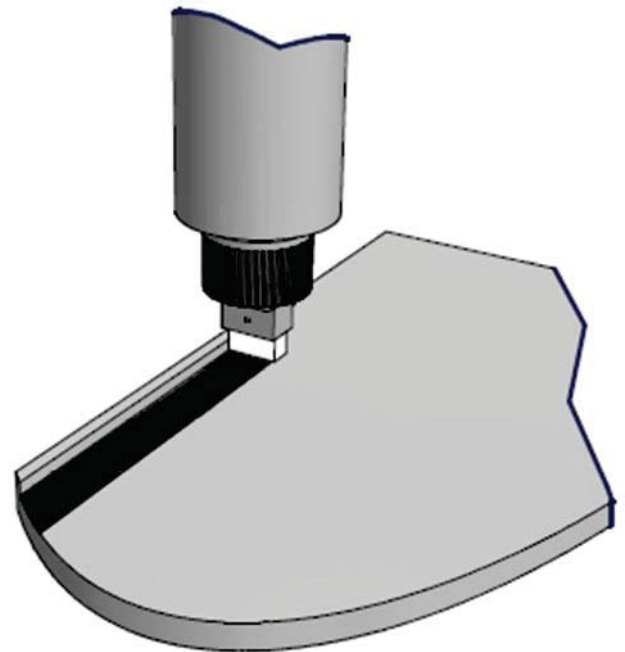


- Constructed of stainless steel
- Can be fed from a pump, pressure pot, or gravity system
- Designed for fluid application over a varying range of viscosities
- Fits most Designetics Applicators
- Precise flow adjustment
- Positive pneumatic on and off
- Open packing retainer for quick maintenance

Rebuild kit part number 5090 available separately
Fine Adjustment kit 5030 also available for 5000 dispenser owners



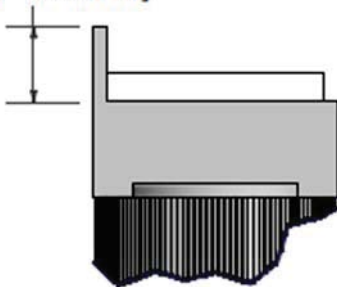
For single surface applications, the Designnetics Flat Applicator is designed to apply fluid with crisp demarcation and precise repeatability.



Many standard applicators are available to meet a broad range of coating widths and fluid viscosities. Custom applicators are also available to fit specific priming applications. Flat Applicators may be ordered with or without an edge guide.

NOTE:

7.6 - 10.2 mm
[0.300 - 0.400 in]



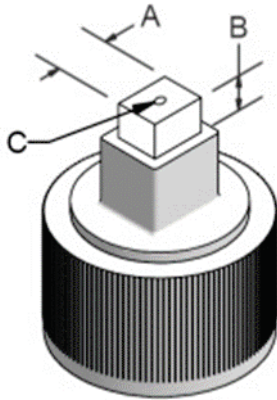
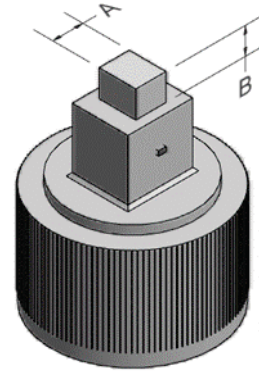
Applicator guide dimensions are between 0.300" and 0.400" unless otherwise noted.

FLAT APPLICATORS



1624 South Eber Rd., Holland, Ohio 43528
 PHONE: 419.866.0700 FAX: 419.866.0767

PRODUCT NUMBER	DIMENSION (A)		DIMENSION (B)		FELT	
					TYPE	RESTRICTOR
46AV	0.197"	(5.0mm)	0.125"	(3.2mm)	04	20Q
46AW	0.197"	(5.0mm)	0.125"	(3.2mm)	04	(1)-20A, (1)-20Q
46CT	0.197"	(5.0mm)	0.179"	(4.5mm)	20	-
46CU	0.197"	(5.0mm)	0.179"	(4.5mm)	20	20A
46BP	0.250"	(6.4mm)	0.125"	(3.2mm)	20	-
46BQ	0.250"	(6.4mm)	0.125"	(3.2mm)	20	20A
46DI	0.250"	(6.4mm)	0.125"	(3.2mm)	01	-
46DJ	0.250"	(6.4mm)	0.125"	(3.2mm)	01	20A
46DK	0.250"	(6.4mm)	0.125"	(3.2mm)	04	20Q
46DL	0.250"	(6.4mm)	0.125"	(3.2mm)	04	(1)-20A, (1)-20Q
46BR	0.250"	(6.4mm)	0.315"	(8.0mm)	07	-
46BS	0.250"	(6.4mm)	0.315"	(8.0mm)	07	20A
46AT	0.250"	(6.4mm)	0.313"	(8.0mm)	07	20Q
46AU	0.250"	(6.4mm)	0.313"	(8.0mm)	07	(1)-20A, (1)-20Q



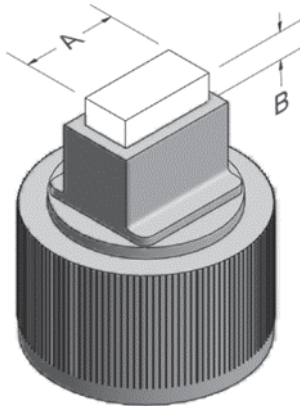
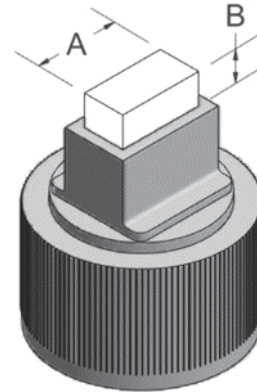
PRODUCT NUMBER	DIMENSION (A)		DIMENSION (B)		FLOW HOLE (C)	FELT		
						TYPE	RESTRICTOR	
46C	0.313"	(8.0mm)	0.125"	(3.2mm)	-	01	-	
46D	0.313"	(8.0mm)	0.125"	(3.2mm)	-	01	20A	
46AC	0.313"	(8.0mm)	0.125"	(3.2mm)	-	04	-	
46AD	0.313"	(8.0mm)	0.125"	(3.2mm)	-	04	20A	
46DM	0.313"	(8.0mm)	0.125"	(3.2mm)	-	04	20Q	
46DN	0.313"	(8.0mm)	0.125"	(3.2mm)	-	04	(1)-20A, (1)-20Q	
46P	0.313"	(8.0mm)	0.125"	(3.2mm)	-	20	-	
46Q	0.313"	(8.0mm)	0.125"	(3.2mm)	-	20	20A	
46BX	0.313"	(8.0mm)	0.125"	(3.2mm)	0.018"	(0.4mm)	20	-
46BY	0.313"	(8.0mm)	0.125"	(3.2mm)	0.018"	(0.4mm)	20	20A
46AM	0.313"	(8.0mm)	0.218"	(5.5mm)	-	01	20Q	
46AN	0.313"	(8.0mm)	0.218"	(5.5mm)	-	01	(1)-20A, (1)-20Q	
46X	0.313"	(8.0mm)	0.250"	(6.4mm)	-	20	-	
46Y	0.313"	(8.0mm)	0.250"	(6.4mm)	-	20	20A	
46BC	0.313"	(8.0mm)	0.250"	(6.4mm)	-	20	20Q	
46BD	0.313"	(8.0mm)	0.250"	(6.4mm)	-	20	(1)-20A, (1)-20Q	
46CA	0.313"	(8.0mm)	0.250"	(6.4mm)	-	20	20P	
46CB	0.313"	(8.0mm)	0.250"	(6.4mm)	-	20	(1)-20A, (1)-20P	
23FG	0.381"	(9.7mm)	0.125"	(3.2mm)	-	07	-	
23FH	0.381"	(9.7mm)	0.125"	(3.2mm)	-	07	(2)-20A	
23CJ	0.394"	(10.0mm)	0.125"	(3.2mm)	-	20	(2)-20A	

FLAT APPLICATORS



1624 South Eber Rd., Holland, Ohio 43528
 PHONE: 419.866.0700 FAX: 419.866.0767

PRODUCT NUMBER	DIMENSION (A)	DIMENSION (B)	FELT TYPE	RESTRICTOR
23CR	0.394" (10.0mm)	0.125" (3.2mm)	20	-
23CS	0.394" (10.0mm)	0.125" (3.2mm)	20	20A
23EV	0.394" (10.0mm)	0.125" (3.2mm)	20	-
23EW	0.394" (10.0mm)	0.125" (3.2mm)	20	20A
23EX	0.394" (10.0mm)	0.125" (3.2mm)	04	20Q
23EY	0.394" (10.0mm)	0.125" (3.2mm)	04	(1)-20Q, (1)-20A
23Fi	0.406" (10.3mm)	0.125" (3.2mm)	20	20Q
23FJ	0.406" (10.3mm)	0.125" (3.2mm)	20	(1)-20Q, (1)-20A
23JC	0.433" (11.0mm)	0.125" (3.2mm)	04	20Q
23JD	0.433" (11.0mm)	0.125" (3.2mm)	04	(1)-20Q, (1)-20A
23CK	0.472" (12.0mm)	0.236" (6.0mm)	04	-
23CL	0.472" (12.0mm)	0.236" (6.0mm)	04	20A
23EA	0.472" (12.0mm)	0.236" (6.0mm)	20	-
23EB	0.472" (12.0mm)	0.236" (6.0mm)	20	20A



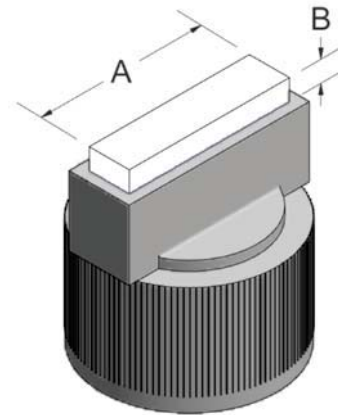
PRODUCT NUMBER	DIMENSION (A)	DIMENSION (B)	FELT TYPE	RESTRICTOR
23FR	0.500" (12.7mm)	0.125" (3.2mm)	01	-
23FS	0.500" (12.7mm)	0.125" (3.2mm)	01	20A
23i	0.500" (12.7mm)	0.125" (3.2mm)	20	-
23J	0.500" (12.7mm)	0.125" (3.2mm)	20	20A
23FM	0.500" (12.7mm)	0.125" (3.2mm)	20	20Q
23FN	0.500" (12.7mm)	0.125" (3.2mm)	20	(1)-20Q, (1)-20A
23BG	0.500" (12.7mm)	0.125" (3.2mm)	07	20Q
23BH	0.500" (12.7mm)	0.125" (3.2mm)	07	(1)-20Q, (1)-20A
23CV	0.500" (12.7mm)	0.125" (3.2mm)	04	-
23CW	0.500" (12.7mm)	0.125" (3.2mm)	04	20A
23FK	0.500" (12.7mm)	0.125" (3.2mm)	04	20Q
23FL	0.500" (12.7mm)	0.125" (3.2mm)	04	(1)-20Q, (1)-20A
23JT	0.500" (12.7mm)	0.125" (3.2mm)	04	20Q
23JU	0.500" (12.7mm)	0.125" (3.2mm)	04	(1)-20Q, (1)-20A
23BT	0.500" (12.7mm)	0.300" (7.6mm)	20	-
23BU	0.500" (12.7mm)	0.300" (7.6mm)	20	20A
23CU	0.500" (12.7mm)	0.313" (8.0mm)	20	(2)-20A
23BE	0.500" (12.7mm)	0.313" (8.0mm)	07	-
23BF	0.500" (12.7mm)	0.313" (8.0mm)	07	20A
23BA	0.500" (12.7mm)	0.472" (12.0mm)	01	-
23BB	0.500" (12.7mm)	0.472" (12.0mm)	01	20A

FLAT APPLICATORS



1624 South Eber Rd., Holland, Ohio 43528
 PHONE: 419.866.0700 FAX: 419.866.0767

PRODUCT NUMBER	DIMENSION (A)		DIMENSION (B)		FELT TYPE	RESTRICTOR
23R	0.531"	(13.5mm)	0.197"	(5.0mm)	01	-
23S	0.531"	(13.5mm)	0.197"	(5.0mm)	01	20A
23AT	0.531"	(13.5mm)	0.236"	(6.0mm)	04	-
23AU	0.531"	(13.5mm)	0.236"	(6.0mm)	04	20A
23T	0.531"	(13.5mm)	0.313"	(8.0mm)	01	-
23U	0.531"	(13.5mm)	0.313"	(8.0mm)	01	20A
23Ai	0.531"	(13.5mm)	0.313"	(8.0mm)	04	-
23Aj	0.531"	(13.5mm)	0.313"	(8.0mm)	04	20A
47BM	0.551"	(14.0mm)	0.125"	(3.2mm)	20	-
47BN	0.551"	(14.0mm)	0.125"	(3.2mm)	20	20A
47AC	0.591"	(15.0mm)	0.125"	(3.2mm)	01	-
47AD	0.591"	(15.0mm)	0.125"	(3.2mm)	01	20A
47CG	0.591"	(15.0mm)	0.125"	(3.2mm)	01	20Q
47CH	0.591"	(15.0mm)	0.125"	(3.2mm)	01	(1)-20Q, (1)-20A
47Bi	0.591"	(15.0mm)	0.375"	(9.5mm)	04	-
47Bj	0.591"	(15.0mm)	0.375"	(9.5mm)	04	20A
47DE	0.591"	(15.0mm)	0.375"	(9.5mm)	04	20Q
47DF	0.591"	(15.0mm)	0.375"	(9.5mm)	04	(1)-20Q, (1)-20A
47C	0.625"	(15.9mm)	0.125"	(3.2mm)	01	-
47D	0.625"	(15.9mm)	0.125"	(3.2mm)	01	20A
47AE	0.625"	(15.9mm)	0.125"	(3.2mm)	04	-
47AF	0.625"	(15.9mm)	0.125"	(3.2mm)	04	20A
47DC	0.625"	(15.9mm)	0.125"	(3.2mm)	04	20Q
47DD	0.625"	(15.9mm)	0.125"	(3.2mm)	04	(1)-20Q, (1)-20A
47BX	0.625"	(15.9mm)	0.125"	(3.2mm)	04	-
47BY	0.625"	(15.9mm)	0.125"	(3.2mm)	04	20A
47R	0.625"	(15.9mm)	0.125"	(3.2mm)	20	-
47S	0.625"	(15.9mm)	0.125"	(3.2mm)	20	20A
47AG	0.625"	(15.9mm)	0.313"	(8.0mm)	20	-
47AH	0.625"	(15.9mm)	0.313"	(8.0mm)	20	20A
44C	0.750"	(19.1mm)	0.125"	(3.2mm)	01	-
44D	0.750"	(19.1mm)	0.125"	(3.2mm)	01	20A
44X	0.750"	(19.1mm)	0.125"	(3.2mm)	04	-
44Y	0.750"	(19.1mm)	0.125"	(3.2mm)	04	20A
44BE	0.750"	(19.1mm)	0.125"	(3.2mm)	04	20Q
44BF	0.750"	(19.1mm)	0.125"	(3.2mm)	04	(1)-20Q, (1)-20A
44BG	0.750"	(19.1mm)	0.125"	(3.2mm)	20	20P
44BH	0.750"	(19.1mm)	0.125"	(3.2mm)	20	(1)-20P, (1)-20A
44BR	0.750"	(19.1mm)	0.125"	(3.2mm)	20	20Q
44BS	0.750"	(19.1mm)	0.125"	(3.2mm)	20	(1)-20Q, (1)-20A
44EC	0.750"	(19.1mm)	0.313"	(8.0mm)	20	20Q
44ED	0.750"	(19.1mm)	0.313"	(8.0mm)	20	(1)-20Q, (1)-20A
44M	0.750"	(19.1mm)	0.125"	(3.2mm)	20	-
44N	0.750"	(19.1mm)	0.125"	(3.2mm)	20	(2)-20A
44Z	0.750"	(19.1mm)	0.125"	(3.2mm)	20	20A
44AX	0.750"	(19.1mm)	0.313"	(8.0mm)	01	-
44AY	0.750"	(19.1mm)	0.313"	(8.0mm)	01	20A
44G	0.750"	(19.1mm)	0.313"	(8.0mm)	04	-
44H	0.750"	(19.1mm)	0.313"	(8.0mm)	04	20A

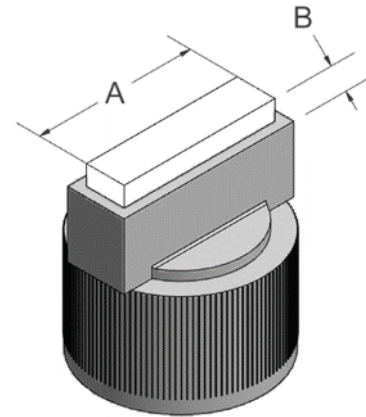


FLAT APPLICATORS



1624 South Eber Rd., Holland, Ohio 43528
 PHONE: 419.866.0700 FAX: 419.866.0767

PRODUCT NUMBER	DIMENSION (A)		DIMENSION (B)		FELT TYPE	RESTRICTOR
44DV	0.787"	(20.0mm)	0.125"	(3.2mm)	01	-
44DW	0.787"	(20.0mm)	0.125"	(3.2mm)	01	20A
44CV	0.787"	(20.0mm)	0.125"	(3.2mm)	04	-
44CW	0.787"	(20.0mm)	0.125"	(3.2mm)	04	20A
44EE	0.787"	(20.0mm)	0.125"	(8.0mm)	04	-
44EF	0.787"	(20.0mm)	0.313"	(8.0mm)	04	20A
32AE	0.813"	(20.7mm)	0.125"	(3.2mm)	04	-
32AF	0.813"	(20.7mm)	0.125"	(3.2mm)	04	20A
32EE	0.813"	(20.7mm)	0.125"	(3.2mm)	04	20Q
32EF	0.813"	(20.7mm)	0.125"	(3.2mm)	04	(1)-20Q, (1)-20A
32EC	0.813"	(20.7mm)	0.295"	(7.5mm)	04	-
32ED	0.813"	(20.7mm)	0.295"	(7.5mm)	04	20A
32FR	0.866"	(22.0mm)	0.252"	(6.4mm)	01	-
32FS	0.866"	(22.0mm)	0.252"	(6.4mm)	01	20A
32GI	0.866"	(22.0mm)	0.252"	(6.4mm)	01	20P
32GJ	0.866"	(22.0mm)	0.252"	(6.4mm)	01	(1)-20P, (1)-20A
32GK	0.866"	(22.0mm)	0.252"	(6.4mm)	20	20Q
32GL	0.866"	(22.0mm)	0.252"	(6.4mm)	20	(1)-20Q, (1)-20A
32FM	0.866"	(22.0mm)	0.081"	(2.1mm)	04	-
32FN	0.866"	(22.0mm)	0.081"	(2.1mm)	04	20A
32AR	0.866"	(22.0mm)	0.250"	(6.4mm)	04	-
32AS	0.866"	(22.0mm)	0.250"	(6.4mm)	04	20A
32FP	0.875"	(22.2mm)	0.250"	(6.4mm)	04	20Q
32FQ	0.875"	(22.2mm)	0.250"	(6.4mm)	04	(1)-20Q, (1)-20A
32FC	0.875"	(22.2mm)	0.250"	(6.4mm)	20	-
32FD	0.875"	(22.2mm)	0.250"	(6.4mm)	20	20A
32ET	0.987"	(25.1mm)	0.125"	(3.2mm)	20	-
32EU	0.987"	(25.1mm)	0.125"	(3.2mm)	20	20A
32GA	0.987"	(25.1mm)	0.125"	(3.2mm)	23	-
32GB	0.987"	(25.1mm)	0.125"	(3.2mm)	23	20A
32C	1.000"	(25.4mm)	0.125"	(3.2mm)	01	-
32D	1.000"	(25.4mm)	0.125"	(3.2mm)	01	20A
32GM	1.000"	(25.4mm)	0.125"	(3.2mm)	01	20P
32GN	1.000"	(25.4mm)	0.125"	(3.2mm)	01	(1)-20P, (1)-20A
32GP	1.000"	(25.4mm)	0.125"	(3.2mm)	01	20Q
32GQ	1.000"	(25.4mm)	0.125"	(3.2mm)	01	(1)-20Q, (1)-20A
32T	1.000"	(25.4mm)	0.125"	(3.2mm)	04	-
32U	1.000"	(25.4mm)	0.125"	(3.2mm)	04	(2)-20A
32BH	1.000"	(25.4mm)	0.125"	(3.2mm)	04	20A
32AC	1.000"	(25.4mm)	0.125"	(3.2mm)	06	-
32AD	1.000"	(25.4mm)	0.125"	(3.2mm)	06	20A
32DK	1.000"	(25.4mm)	0.125"	(3.2mm)	06	20Q
32DL	1.000"	(25.4mm)	0.125"	(3.2mm)	06	(1)-20Q, (1)-20A
32EM	1.000"	(25.4mm)	0.125"	(3.2mm)	04	20Q
32EN	1.000"	(25.4mm)	0.125"	(3.2mm)	04	(1)-20Q, (1)-20A
32FE	1.000"	(25.4mm)	0.125"	(3.2mm)	20	20Q
32FF	1.000"	(25.4mm)	0.125"	(3.2mm)	20	(1)-20Q, (1)-20A
32DG	1.000"	(25.4mm)	0.295"	(7.5mm)	04	-
32DH	1.000"	(25.4mm)	0.295"	(7.5mm)	04	20A
32CK	1.000"	(25.4mm)	0.375"	(9.5mm)	01	-
32CL	1.000"	(25.4mm)	0.375"	(9.5mm)	01	20A
32M	1.000"	(25.4mm)	0.375"	(9.5mm)	04	-
32N	1.000"	(25.4mm)	0.375"	(9.5mm)	04	20A
32FK	1.000"	(25.4mm)	0.375"	(9.5mm)	04	20Q
32FL	1.000"	(25.4mm)	0.375"	(9.5mm)	04	(1)-20Q, (1)-20A
32DX	1.000"	(25.4mm)	0.375"	(9.5mm)	06	-
32DY	1.000"	(25.4mm)	0.375"	(9.5mm)	06	20A

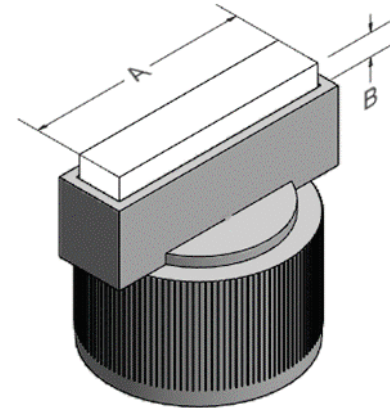


FLAT APPLICATORS



1624 South Eber Rd., Holland, Ohio 43528
 PHONE: 419.866.0700 FAX: 419.866.0767

PRODUCT NUMBER	DIMENSION (A)		DIMENSION (B)		FELT	
					TYPE	RESTRICTOR
27AG	1.125"	(28.6mm)	0.125"	(3.2mm)	01	-
27AH	1.125"	(28.6mm)	0.125"	(3.2mm)	01	20A
27BP	1.125"	(28.6mm)	0.125"	(3.2mm)	04	-
27BQ	1.125"	(28.6mm)	0.125"	(3.2mm)	04	20A
27FM	1.125"	(28.6mm)	0.125"	(3.2mm)	04	20Q
27FN	1.125"	(28.6mm)	0.125"	(3.2mm)	04	(1)-20Q, (1)-20A
27CV	1.125"	(28.6mm)	0.125"	(3.2mm)	20	20Q
27CW	1.125"	(28.6mm)	0.125"	(3.2mm)	20	(1)-20Q, (1)-20A
27DV	1.125"	(28.6mm)	0.125"	(3.2mm)	20	-
27DW	1.125"	(28.6mm)	0.125"	(3.2mm)	20	20A
27C	1.250"	(31.8mm)	0.125"	(3.2mm)	01	-
27D	1.250"	(31.8mm)	0.125"	(3.2mm)	01	20A
27BR	1.250"	(31.8mm)	0.125"	(3.2mm)	20	-
27BS	1.250"	(31.8mm)	0.125"	(3.2mm)	20	20A
27DE	1.250"	(31.8mm)	0.125"	(3.2mm)	20	20Q
27DF	1.250"	(31.8mm)	0.125"	(3.2mm)	20	(1)-20Q, (1)-20A
27Di	1.250"	(31.8mm)	0.125"	(3.2mm)	01	20Q
27DJ	1.250"	(31.8mm)	0.125"	(3.2mm)	01	(1)-20Q, (1)-20A
27EM	1.250"	(31.8mm)	0.125"	(3.2mm)	04	20Q
27EN	1.250"	(31.8mm)	0.125"	(3.2mm)	04	(1)-20Q, (1)-20A
27K	1.250"	(31.8mm)	0.394"	(10.0mm)	04	-
27L	1.250"	(31.8mm)	0.394"	(10.0mm)	04	20A
27R	1.250"	(31.8mm)	0.500"	(12.7mm)	01	-
27S	1.250"	(31.8mm)	0.500"	(12.7mm)	01	20A
27Bi	1.250"	(31.8mm)	0.658"	(16.7mm)	04	-
27BJ	1.250"	(31.8mm)	0.658"	(16.7mm)	04	20A

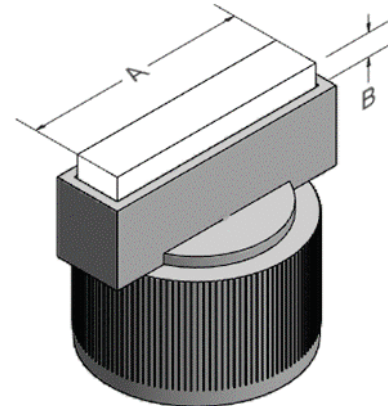


FLAT APPLICATORS



1624 South Eber Rd., Holland, Ohio 43528
 PHONE: 419.866.0700 FAX: 419.866.0767

PRODUCT NUMBER	DIMENSION (A)		DIMENSION (B)		FELT	
					TYPE	RESTRICTOR
49BA	1.575"	(40.0mm)	0.125"	(3.2mm)	04	-
49BB	1.575"	(40.0mm)	0.125"	(3.2mm)	04	20A
49AG	1.625"	(41.3mm)	0.125"	(3.2mm)	01	-
49AH	1.625"	(41.3mm)	0.125"	(3.2mm)	01	20A
49AE	1.625"	(41.3mm)	0.125"	(3.2mm)	20	20Q
49AF	1.625"	(41.3mm)	0.125"	(3.2mm)	20	(1)-20Q, (1)-20A
49AR	1.625"	(41.3mm)	0.125"	(3.2mm)	04	20Q
49AS	1.625"	(41.3mm)	0.125"	(3.2mm)	04	(1)-20Q, (1)-20A
49AP	1.750"	(44.5mm)	0.125"	(3.2mm)	20	20Q
49AQ	1.750"	(44.5mm)	0.125"	(3.2mm)	20	(1)-20Q, (1)-20A
49C	1.750"	(44.5mm)	0.125"	(3.2mm)	01	-
49D	1.750"	(44.5mm)	0.125"	(3.2mm)	01	20A
49P	1.750"	(44.5mm)	0.125"	(3.2mm)	04	-
49Q	1.750"	(44.5mm)	0.125"	(3.2mm)	04	20A
49AV	1.750"	(44.5mm)	0.125"	(3.2mm)	04	20Q
49AW	1.750"	(44.5mm)	0.125"	(3.2mm)	04	(1)-20Q, (1)-20A
58V	1.969"	(50.0mm)	0.125"	(3.2mm)	04	-
58W	1.969"	(50.0mm)	0.125"	(3.2mm)	04	20A
58AC	1.969"	(50.0mm)	0.125"	(3.2mm)	04	20Q
58AD	1.969"	(50.0mm)	0.125"	(3.2mm)	04	(1)-20Q, (1)-20A
58C	2.000"	(50.8mm)	0.188"	(4.8mm)	01	-
58D	2.000"	(50.8mm)	0.188"	(4.8mm)	01	20A
58AI	2.000"	(50.8mm)	0.188"	(4.8mm)	06	20Q
58AJ	2.000"	(50.8mm)	0.188"	(4.8mm)	06	(1)-20Q, (1)-20A
58P	2.000"	(50.8mm)	0.250"	(6.4mm)	01	-
58Q	2.000"	(50.8mm)	0.250"	(6.4mm)	01	20A
58M	2.000"	(50.8mm)	0.375"	(9.5mm)	01	-
58N	2.000"	(50.8mm)	0.375"	(9.5mm)	01	20A
58AE	2.063"	(52.4mm)	0.125"	(3.2mm)	20	20Q
58AF	2.063"	(52.4mm)	0.125"	(3.2mm)	20	(1)-20Q, (1)-20A
53T	2.250"	(57.2mm)	0.125"	(3.2mm)	04	-
53U	2.250"	(57.2mm)	0.125"	(3.2mm)	04	20A
53V	2.250"	(57.2mm)	0.125"	(3.2mm)	04	20Q
53W	2.250"	(57.2mm)	0.125"	(3.2mm)	04	(1)-20Q, (1)-20A
53M	2.250"	(57.2mm)	0.125"	(3.2mm)	20	-
53N	2.250"	(57.2mm)	0.125"	(3.2mm)	20	20A
53C	2.250"	(57.2mm)	0.125"	(3.2mm)	01	-
53D	2.250"	(57.2mm)	0.125"	(3.2mm)	01	20A
53Z	2.250"	(57.2mm)	0.125"	(3.2mm)	20	(2)-20A
57C	2.500"	(63.5mm)	0.125"	(3.2mm)	01	-
57D	2.500"	(63.5mm)	0.125"	(3.2mm)	01	20A

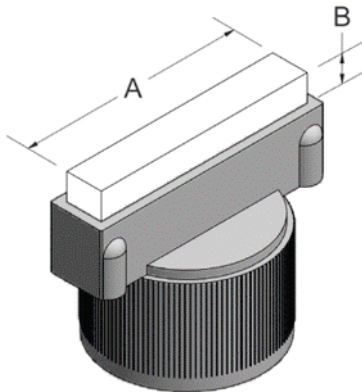
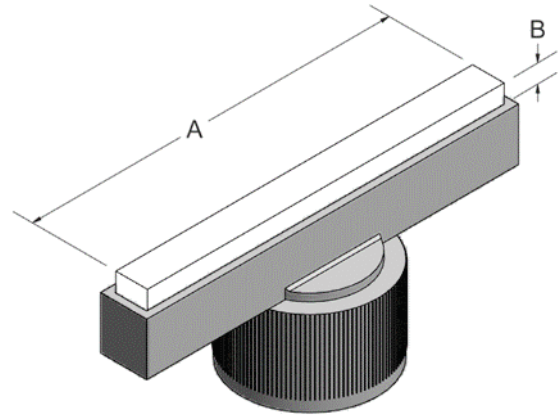


FLAT APPLICATORS



1624 South Eber Rd., Holland, Ohio 43528
 PHONE: 419.866.0700 FAX: 419.866.0767

PRODUCT NUMBER	DIMENSION (A)		DIMENSION (B)		FELT TYPE RESTRICTOR	
56C	2.835"	(72.0mm)	0.125"	(3.2mm)	01	-
56D	2.835"	(72.0mm)	0.125"	(3.2mm)	01	20A
56i	2.875"	(73.0mm)	0.125"	(3.2mm)	20	20Q
56J	2.875"	(73.0mm)	0.125"	(3.2mm)	20	(1)-20Q, (1)-20A
56K	2.875"	(73.0mm)	0.125"	(3.2mm)	04	20Q
56L	2.875"	(73.0mm)	0.125"	(3.2mm)	04	(1)-20Q, (1)-20A
82A	3.125"	(79.4mm)	0.125"	(3.2mm)	01	-
82B	3.125"	(79.4mm)	0.125"	(3.2mm)	01	20A
56M	3.150"	(80.0mm)	0.125"	(3.2mm)	04	-
56N	3.150"	(80.0mm)	0.125"	(3.2mm)	04	20A



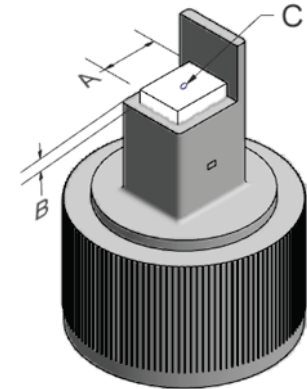
PRODUCT NUMBER	DIMENSION (A)		DIMENSION (B)		FELT TYPE RESTRICTOR	
32BR	1.000"	(25.4mm)	0.125"	(3.2mm)	01	-
32BS	1.000"	(25.4mm)	0.125"	(3.2mm)	01	20A
32FA	1.000"	(25.4mm)	0.125"	(3.2mm)	01	20Q
32FB	1.000"	(25.4mm)	0.125"	(3.2mm)	01	(1)-20Q, (1)-20A
27DX	1.281"	(32.5mm)	0.125"	(3.2mm)	01	-
27DY	1.281"	(32.5mm)	0.125"	(3.2mm)	01	20A
38P	1.500"	(38.1mm)	0.125"	(3.2mm)	20	-
38Q	1.500"	(38.1mm)	0.125"	(3.2mm)	20	20A
38BM	1.500"	(38.1mm)	0.125"	(3.2mm)	20	-
38BN	1.500"	(38.1mm)	0.125"	(3.2mm)	20	20A
38AR	1.500"	(38.1mm)	0.125"	(3.2mm)	04	-
38AS	1.500"	(38.1mm)	0.125"	(3.2mm)	04	20A
38BR	1.500"	(38.1mm)	0.125"	(3.2mm)	04	-
38BS	1.500"	(38.1mm)	0.125"	(3.2mm)	04	20A
38AT	1.500"	(38.1mm)	0.125"	(3.2mm)	04	-
38AU	1.500"	(38.1mm)	0.125"	(3.2mm)	04	20A
38C	1.500"	(38.1mm)	0.188"	(4.8mm)	01	-
38D	1.500"	(38.1mm)	0.188"	(4.8mm)	01	20A

FLAT APPLICATORS



1624 South Eber Rd., Holland, Ohio 43528
 PHONE: 419.866.0700 FAX: 419.866.0767

PRODUCT NUMBER	DIMENSION (A)		DIMENSION (B)		FLOW HOLE (C)	FELT TYPE	RESTRICTOR
46AX	0.197"	(5.0mm)	0.125"	(3.2mm)	-	04	-
46AY	0.197"	(5.0mm)	0.125"	(3.2mm)	-	04	20A
46CX	0.197"	(5.0mm)	0.125"	(3.2mm)	-	04	20Q
46CY	0.197"	(5.0mm)	0.125"	(3.2mm)	-	04	(1)-20Q, (1)-20A
46AP	0.250"	(6.4mm)	0.125"	(3.2mm)	-	01	-
46AQ	0.250"	(6.4mm)	0.125"	(3.2mm)	-	01	20A
46M	0.250"	(6.4mm)	0.125"	(3.2mm)	-	04	-
46N	0.250"	(6.4mm)	0.125"	(3.2mm)	-	04	20A
46DR	0.250"	(6.4mm)	0.125"	(3.2mm)	-	04	20Q
46DS	0.250"	(6.4mm)	0.125"	(3.2mm)	-	04	(1)-20Q, (1)-20A
46BM	0.250"	(6.4mm)	0.125"	(3.2mm)	-	20	-
46BN	0.250"	(6.4mm)	0.125"	(3.2mm)	-	20	20A
23BX	0.275"	(7.0mm)	0.125"	(3.2mm)	-	04	-
23BY	0.275"	(7.0mm)	0.125"	(3.2mm)	-	04	20A
46A	0.313"	(8.0mm)	0.125"	(3.2mm)	-	01	-
46B	0.313"	(8.0mm)	0.125"	(3.2mm)	-	01	20A
46BE	0.313"	(8.0mm)	0.125"	(3.2mm)	-	04	-
46BF	0.313"	(8.0mm)	0.125"	(3.2mm)	-	04	20A
46BV	0.313"	(8.0mm)	0.125"	(3.2mm)	-	04	20Q
46BW	0.313"	(8.0mm)	0.125"	(3.2mm)	-	04	(1)-20A, (1)-20Q
46i	0.313"	(8.0mm)	0.125"	(3.2mm)	-	20	-
46J	0.313"	(8.0mm)	0.125"	(3.2mm)	-	20	20A
46CZ	0.313"	(8.0mm)	0.125"	(3.2mm)	-	20	20E
46AR	0.313"	(8.0mm)	0.125"	(3.2mm)	-	07	20Q
46AS	0.313"	(8.0mm)	0.125"	(3.2mm)	-	07	(1)-20A, (1)-20Q
46AK	0.313"	(8.0mm)	0.125"	(3.2mm)	-	20	(1)-20E, (1)-20Q
46K	0.313"	(8.0mm)	0.125"	(3.2mm)	0.025" (.625mm)	01	-
46L	0.313"	(8.0mm)	0.125"	(3.2mm)	0.025" (.625mm)	01	20A
46Ai	0.313"	(8.0mm)	0.197"	(5.0mm)	-	20	-
46Aj	0.313"	(8.0mm)	0.197"	(5.0mm)	-	20	20A
46DC	0.313"	(8.0mm)	0.237"	(6.0mm)	-	20	-
46DD	0.313"	(8.0mm)	0.237"	(6.0mm)	-	20	20A

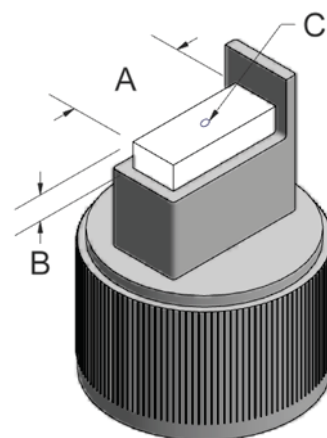


FLAT APPLICATORS



1624 South Eber Rd., Holland, Ohio 43528
 PHONE: 419.866.0700 FAX: 419.866.0767

PRODUCT NUMBER	DIMENSION (A)		DIMENSION (B)		FLOW HOLE (C)	FELT TYPE	RESTRICTOR
23DP	0.374"	(9.5mm)	0.125"	(3.2mm)	-	01	20Q
23DQ	0.374"	(9.5mm)	0.125"	(3.2mm)	-	01	(1)-20A, (1)-20Q
23BK	0.394"	(10.0mm)	0.125"	(3.2mm)	-	01	-
23BL	0.394"	(10.0mm)	0.125"	(3.2mm)	-	01	20A
23EP	0.394"	(10.0mm)	0.125"	(3.2mm)	-	01	20Q
23EQ	0.394"	(10.0mm)	0.125"	(3.2mm)	-	01	(1)-20Q, (1)-20A
23AV	0.394"	(10.0mm)	0.125"	(3.2mm)	-	04	20Q
23AW	0.394"	(10.0mm)	0.125"	(3.2mm)	-	04	(1)-20Q, (1)-20A
23JP	0.394"	(10.0mm)	0.125"	(3.2mm)	-	04	-
23JQ	0.394"	(10.0mm)	0.125"	(3.2mm)	-	04	20A
23AM	0.394"	(10.0mm)	0.125"	(3.2mm)	-	20	-
23AN	0.394"	(10.0mm)	0.125"	(3.2mm)	-	20	20A
23BC	0.394"	(10.0mm)	0.125"	(3.2mm)	-	20	20P
23BD	0.394"	(10.0mm)	0.125"	(3.2mm)	-	20	(1)-20P, (1)-20A
23DA	0.394"	(10.0mm)	0.125"	(3.2mm)	-	20	20Q
23DB	0.394"	(10.0mm)	0.125"	(3.2mm)	-	20	(1)-20Q, (1)-20A
23EM	0.394"	(10.0mm)	0.265"	(6.7mm)	-	20	-
23EN	0.394"	(10.0mm)	0.265"	(6.7mm)	-	20	20A
23CC	0.433"	(11.0mm)	0.125"	(3.2mm)	-	04	-
23CD	0.433"	(11.0mm)	0.125"	(3.2mm)	-	04	20A
23JC	0.433"	(11.0mm)	0.125"	(3.2mm)	-	04	20Q
23JD	0.433"	(11.0mm)	0.125"	(3.2mm)	-	04	(1)-20Q, (1)-20A
23AR	0.500"	(12.7mm)	0.125"	(3.2mm)	-	04	-
23AS	0.500"	(12.7mm)	0.125"	(3.2mm)	-	04	20A
23JI	0.500"	(12.7mm)	0.125"	(3.2mm)	-	04	20Q
23JJ	0.500"	(12.7mm)	0.125"	(3.2mm)	-	04	(1)-20Q, (1)-20A
23K	0.500"	(12.7mm)	0.125"	(3.2mm)	-	20	-
23L	0.500"	(12.7mm)	0.125"	(3.2mm)	-	20	20A
23CE	0.500"	(12.7mm)	0.125"	(3.2mm)	-	20	20Q
23CF	0.500"	(12.7mm)	0.125"	(3.2mm)	-	20	(1)-20Q, (1)-20A
23AA	0.500"	(12.7mm)	0.197"	(5.0mm)	-	01	-
23AB	0.500"	(12.7mm)	0.197"	(5.0mm)	-	01	20A
23DG	0.500"	(12.7mm)	0.205"	(5.2mm)	0.025" (.625mm)	01	-
23DH	0.500"	(12.7mm)	0.205"	(5.2mm)	0.025" (.625mm)	01	20A
23AE	0.500"	(12.7mm)	0.236"	(6.0mm)	0.025" (.625mm)	01	-
23AF	0.500"	(12.7mm)	0.236"	(6.0mm)	0.025" (.625mm)	01	20A
47Ai	0.562"	(14.3mm)	0.125"	(3.2mm)	-	04	-
47AJ	0.562"	(14.3mm)	0.125"	(3.2mm)	-	04	20A
47P	0.562"	(14.3mm)	0.125"	(3.2mm)	-	20	-
47Q	0.562"	(14.3mm)	0.125"	(3.2mm)	-	20	20A

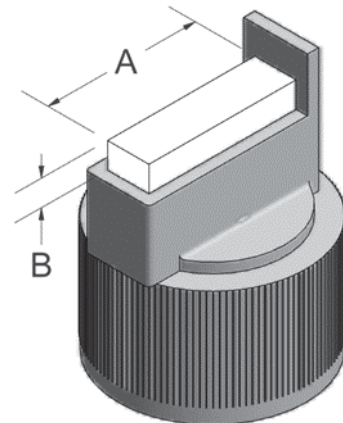


FLAT APPLICATORS



1624 South Eber Rd., Holland, Ohio 43528
 PHONE: 419.866.0700 FAX: 419.866.0767

PRODUCT NUMBER	DIMENSION (A)		DIMENSION (B)		FELT TYPE	RESTRICTOR
	IN	MM	IN	MM		
47BE	0.591"	(15.0mm)	0.125"	(3.2mm)	01	-
47BF	0.591"	(15.0mm)	0.125"	(3.2mm)	01	20A
47BG	0.591"	(15.0mm)	0.125"	(3.2mm)	04	-
47BH	0.591"	(15.0mm)	0.125"	(3.2mm)	04	20A
47A	0.625"	(15.9mm)	0.125"	(3.2mm)	01	-
47B	0.625"	(15.9mm)	0.125"	(3.2mm)	01	20A
47i	0.625"	(15.9mm)	0.125"	(3.2mm)	04	-
47J	0.625"	(15.9mm)	0.125"	(3.2mm)	04	20A
47BA	0.625"	(15.9mm)	0.125"	(3.2mm)	04	(1)-20Q
47BB	0.625"	(15.9mm)	0.125"	(3.2mm)	04	(1)-20Q, (1)-20A
47BT	0.625"	(15.9mm)	0.125"	(3.2mm)	20	-
47BU	0.625"	(15.9mm)	0.125"	(3.2mm)	20	20A
47BV	0.625"	(15.9mm)	0.125"	(3.2mm)	06	-
47BW	0.625"	(15.9mm)	0.125"	(3.2mm)	06	20A
44A	0.750"	(19.1mm)	0.125"	(3.2mm)	01	-
44B	0.750"	(19.1mm)	0.125"	(3.2mm)	01	20A
44K	0.750"	(19.1mm)	0.125"	(3.2mm)	04	-
44L	0.750"	(19.1mm)	0.125"	(3.2mm)	04	20A
44AA	0.750"	(19.1mm)	0.125"	(3.2mm)	20	-
44AB	0.750"	(19.1mm)	0.125"	(3.2mm)	20	20A
44DT	0.750"	(19.1mm)	0.125"	(3.2mm)	04	(1)-20Q
44DU	0.750"	(19.1mm)	0.125"	(3.2mm)	04	(1)-20Q, (1)-20A
32AA*	0.813"	(20.7mm)	0.125"	(3.2mm)	04	-
32AB*	0.813"	(20.7mm)	0.125"	(3.2mm)	04	20A
32EA*	0.813"	(20.7mm)	0.125"	(3.2mm)	04	(1)-20Q
32EB*	0.813"	(20.7mm)	0.125"	(3.2mm)	04	(1)-20Q, (1)-20A
32GG*	0.813"	(20.7mm)	0.125"	(3.2mm)	04	(1)-20Q
32GH*	0.813"	(20.7mm)	0.125"	(3.2mm)	04	(1)-20Q, (1)-20A
32X	0.875"	(22.2mm)	0.125"	(3.2mm)	01	-
32Y	0.875"	(22.2mm)	0.125"	(3.2mm)	01	20A
32CC	0.875"	(22.2mm)	0.125"	(3.2mm)	04	-
32CD	0.875"	(22.2mm)	0.125"	(3.2mm)	04	20A
32DE	0.875"	(22.2mm)	0.125"	(3.2mm)	04	(1)-20Q
32DF	0.875"	(22.2mm)	0.125"	(3.2mm)	04	(1)-20Q, (1)-20A
32BC	0.875"	(22.2mm)	0.125"	(3.2mm)	20	-
32BD	0.875"	(22.2mm)	0.125"	(3.2mm)	20	20A
32AV	0.953"	(24.2mm)	0.125"	(3.2mm)	04	-
32AW	0.953"	(24.2mm)	0.125"	(3.2mm)	04	20A
32GC	0.953"	(24.2mm)	0.125"	(3.2mm)	04	20P
32GD	0.953"	(24.2mm)	0.125"	(3.2mm)	04	(1)-20P, (1)-20A
32GE	0.953"	(24.2mm)	0.125"	(3.2mm)	04	(1)-20Q
32GF	0.953"	(24.2mm)	0.125"	(3.2mm)	04	(1)-20Q, (1)-20A
32BX	0.953"	(24.2mm)	0.125"	(3.2mm)	01	-
32BY	0.953"	(24.2mm)	0.125"	(3.2mm)	01	20A
32CA	0.953"	(24.2mm)	0.125"	(3.2mm)	20	(1)-20Q
32CB	0.953"	(24.2mm)	0.125"	(3.2mm)	20	(1)-20Q, (1)-20A



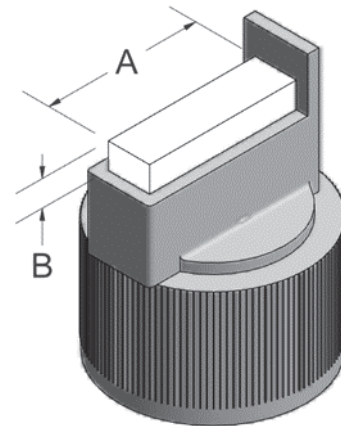
* Guide Length is 0.250" (See page F for details)

FLAT APPLICATORS



1624 South Eber Rd., Holland, Ohio 43528
 PHONE: 419.866.0700 FAX: 419.866.0767

PRODUCT NUMBER	DIMENSION		FELT	
	(A)	(B)	TYPE	RESTRICTOR
32A	1.000" (25.4mm)	0.125" (3.2mm)	01	-
32B	1.000" (25.4mm)	0.125" (3.2mm)	01	20A
32V	1.000" (25.4mm)	0.125" (3.2mm)	04	-
32W	1.000" (25.4mm)	0.125" (3.2mm)	04	20A
32CG	1.000" (25.4mm)	0.125" (3.2mm)	04	(1)-20Q
32CH	1.000" (25.4mm)	0.125" (3.2mm)	04	(1)-20Q, (1)-20A
32AP	1.000" (25.4mm)	0.125" (3.2mm)	20	(1)-20Q
32AQ	1.000" (25.4mm)	0.125" (3.2mm)	20	(1)-20Q, (1)-20A
32Bi	1.000" (25.4mm)	0.125" (3.2mm)	20	-
32BJ	1.000" (25.4mm)	0.125" (3.2mm)	20	20A
27i	1.125" (28.6mm)	0.125" (3.2mm)	04	-
27J	1.125" (28.6mm)	0.125" (3.2mm)	04	20A
27FE	1.125" (28.6mm)	0.125" (3.2mm)	01	-
27FF	1.125" (28.6mm)	0.125" (3.2mm)	01	20A
27AP	1.125" (28.6mm)	0.125" (3.2mm)	20	-
27AQ	1.125" (28.6mm)	0.125" (3.2mm)	20	20A
27BH	1.125" (28.6mm)	0.125" (3.2mm)	20	(1)-20Q, (1)-20A
27EV	1.125" (28.6mm)	0.125" (3.2mm)	04	20A
27EW	1.125" (28.6mm)	0.125" (3.2mm)	04	(1)-20Q, (1)-20A
27AV	1.125" (28.6mm)	0.250" (6.4mm)	01	-
27AW	1.125" (28.6mm)	0.250" (6.4mm)	01	20A
27A	1.250" (31.8mm)	0.125" (3.2mm)	01	-
27B	1.250" (31.8mm)	0.125" (3.2mm)	01	20A
27M	1.250" (31.8mm)	0.125" (3.2mm)	04	-
27N	1.250" (31.8mm)	0.125" (3.2mm)	04	20A
27CR	1.250" (31.8mm)	0.125" (3.2mm)	04	(1)-20Q
27CS	1.250" (31.8mm)	0.125" (3.2mm)	04	(1)-20Q, (1)-20A
27V	1.250" (31.8mm)	0.125" (3.2mm)	20	-
27W	1.250" (31.8mm)	0.125" (3.2mm)	20	20A
27AE	1.250" (31.8mm)	0.125" (3.2mm)	01	(2)-20A
27BC	1.250" (31.8mm)	0.250" (6.4mm)	06	-
27BD	1.250" (31.8mm)	0.250" (6.4mm)	06	20A
38AX	1.350" (34.3mm)	0.125" (3.2mm)	01	-
38AY	1.350" (34.3mm)	0.125" (3.2mm)	01	20A
38BE	1.350" (34.3mm)	0.125" (3.2mm)	04	20Q
38BF	1.350" (34.3mm)	0.125" (3.2mm)	04	(1)-20Q, (1)-20A
38K	1.350" (34.3mm)	0.125" (3.2mm)	04	-
38L	1.350" (34.3mm)	0.125" (3.2mm)	04	20A

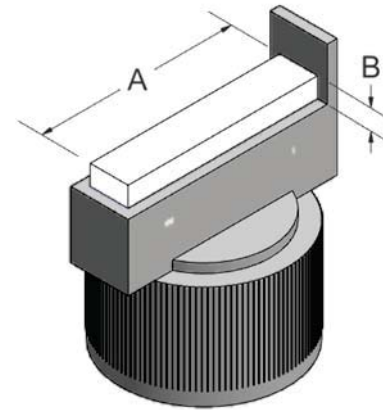


FLAT APPLICATORS



1624 South Eber Rd., Holland, Ohio 43528
 PHONE: 419.866.0700 FAX: 419.866.0767

PRODUCT NUMBER	DIMENSION (A)	DIMENSION (B)	FELT TYPE	RESTRICTOR
38T	1.437" (36.5mm)	0.125" (3.2mm)	04	-
38U	1.437" (36.5mm)	0.125" (3.2mm)	04	20A
38A	1.500" (38.1mm)	0.188" (4.8mm)	01	-
38B	1.500" (38.1mm)	0.188" (4.8mm)	01	20A
38i	1.500" (38.1mm)	0.125" (3.2mm)	04	-
38J	1.500" (38.1mm)	0.125" (3.2mm)	04	20A
38AA	1.500" (38.1mm)	0.125" (3.2mm)	04	20Q
38AB	1.500" (38.1mm)	0.125" (3.2mm)	04	(1)-20A, (1)-20Q
38AV	1.500" (38.1mm)	0.125" (3.2mm)	20	-
38AW	1.500" (38.1mm)	0.125" (3.2mm)	20	20A
38V	1.500" (38.1mm)	0.125" (3.2mm)	06	20Q
38W	1.500" (38.1mm)	0.125" (3.2mm)	06	(1)-20A, (1)-20Q
49A	1.750" (44.5mm)	0.125" (3.2mm)	01	-
49B	1.750" (44.5mm)	0.125" (3.2mm)	01	20A
49K	1.750" (44.5mm)	0.125" (3.2mm)	04	-
49L	1.750" (44.5mm)	0.125" (3.2mm)	04	20A
49AT	1.750" (44.5mm)	0.125" (3.2mm)	04	20Q
49AU	1.750" (44.5mm)	0.125" (3.2mm)	04	(1)-20Q, (1)-20A
49AA	1.750" (44.5mm)	0.125" (3.2mm)	20	20Q
49AB	1.750" (44.5mm)	0.125" (3.2mm)	20	(1)-20Q, (1)-20A
49M*	1.750" (44.5mm)	0.188" (4.8mm)	01	-
49N*	1.750" (44.5mm)	0.188" (4.8mm)	01	20A
58i	1.843" (46.8mm)	0.125" (3.2mm)	01	-
58J	1.843" (46.8mm)	0.125" (3.2mm)	01	20A



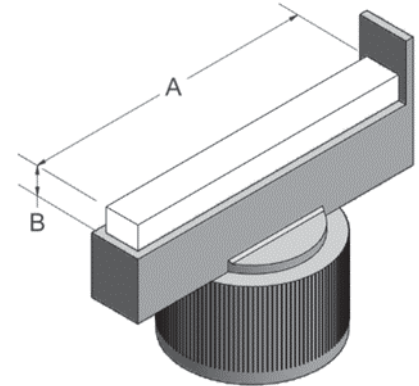
* Guide Length is 0.500" (See page F for details)

FLAT APPLICATORS

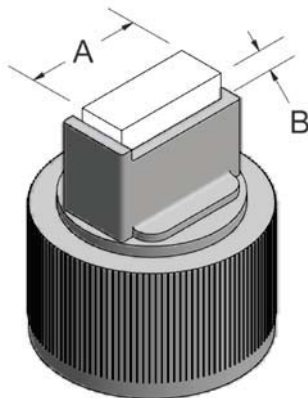


1624 South Eber Rd., Holland, Ohio 43528
 PHONE: 419.866.0700 FAX: 419.866.0767

PRODUCT NUMBER	DIMENSION (A)		DIMENSION (B)		FELT TYPE	RESTRICTOR
58R	1.968"	(50.0mm)	0.125"	(3.2mm)	04	-
58S	1.968"	(50.0mm)	0.125"	(3.2mm)	04	20A
58AA	1.968"	(50.0mm)	0.125"	(3.2mm)	04	20Q
58AB	1.968"	(50.0mm)	0.125"	(3.2mm)	04	(1)-20Q, (1)-20A
58A	2.000"	(50.8mm)	0.125"	(3.2mm)	01	-
58B	2.000"	(50.8mm)	0.125"	(3.2mm)	01	20A
58K	2.063"	(52.4mm)	0.250"	(6.4mm)	04	-
58L	2.063"	(52.4mm)	0.250"	(6.4mm)	04	20A
58AG	2.063"	(52.4mm)	0.250"	(6.4mm)	20	-
58AH	2.063"	(52.4mm)	0.250"	(6.4mm)	20	20A
53A	2.250"	(57.2mm)	0.125"	(3.2mm)	01	-
53B	2.250"	(57.2mm)	0.125"	(3.2mm)	01	20A
53i	2.250"	(57.2mm)	0.125"	(3.2mm)	20	-
53J	2.250"	(57.2mm)	0.125"	(3.2mm)	20	20A
53X	2.250"	(57.2mm)	0.125"	(3.2mm)	04	20Q
53Y	2.250"	(57.2mm)	0.125"	(3.2mm)	04	(1)-20Q, (1)-20A
57i	2.375"	(60.3mm)	0.125"	(3.2mm)	01	-
57J	2.375"	(60.3mm)	0.125"	(3.2mm)	01	20A
57A	2.500"	(63.5mm)	0.125"	(3.2mm)	01	-
57B	2.500"	(63.5mm)	0.125"	(3.2mm)	01	20A
56A*	2.815"	(71.5mm)	0.125"	(3.2mm)	01	-
56B*	2.815"	(71.5mm)	0.125"	(3.2mm)	01	20A



*Guide length is 0.460"



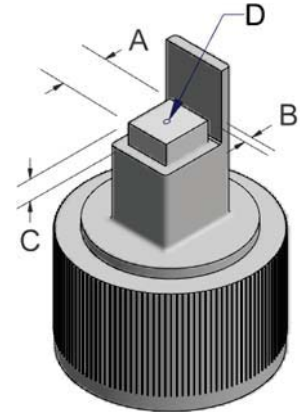
PRODUCT NUMBER	DIMENSION (A)		DIMENSION (B)		FELT TYPE	RESTRICTOR
23M	0.500"	(12.7mm)	0.125"	(3.2mm)	20	-
23N	0.500"	(12.7mm)	0.125"	(3.2mm)	20	20A
47E	0.625"	(15.9mm)	0.125"	(3.2mm)	01	-
47F	0.625"	(15.9mm)	0.125"	(3.2mm)	01	20A
32E	1.000"	(25.4mm)	0.125"	(3.2mm)	01	-
32F	1.000"	(25.4mm)	0.125"	(3.2mm)	01	20A
27E	1.250"	(31.8mm)	0.125"	(3.2mm)	01	-
27F	1.250"	(31.8mm)	0.125"	(3.2mm)	01	20A
38E	1.500"	(38.1mm)	0.188"	(4.8mm)	01	-
38F	1.500"	(38.1mm)	0.188"	(4.8mm)	01	20A
49E	1.750"	(44.5mm)	0.188"	(4.8mm)	01	-
49F	1.750"	(44.5mm)	0.188"	(4.8mm)	01	20A
53E	2.224"	(56.5mm)	0.125"	(3.2mm)	01	-
53F	2.224"	(56.5mm)	0.125"	(3.2mm)	01	20A

FLAT APPLICATORS



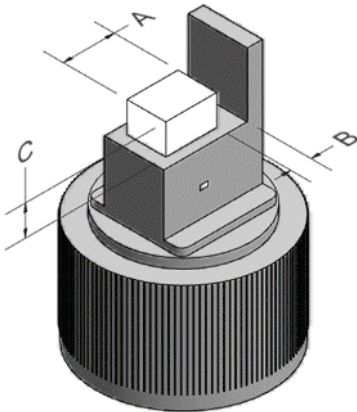
1624 South Eber Rd., Holland, Ohio 43528
 PHONE: 419.866.0700 FAX: 419.866.0767

PRODUCT NUMBER	DIMENSION (A)		DIMENSION (B)		DIMENSION (C)		FLOW HOLE (D)	FELT	
								TYPE	RESTRICTOR
46CC	0.197"	(5.0mm)	0.039"	(1.0mm)	0.125"	(3.2mm)	-	04	-
46CD	0.197"	(5.0mm)	0.039"	(1.0mm)	0.125"	(3.2mm)	-	04	20A
46DA	0.197"	(5.0mm)	0.098"	(2.5mm)	0.125"	(3.2mm)	-	20	-
46DB	0.197"	(5.0mm)	0.098"	(2.5mm)	0.125"	(3.2mm)	-	20	20A
46DG	0.197"	(5.0mm)	0.098"	(2.5mm)	0.125"	(3.2mm)	-	04	-
46DH	0.197"	(5.0mm)	0.098"	(2.5mm)	0.125"	(3.2mm)	-	04	20A
23JG	0.236"	(6.0mm)	0.236"	(6.0mm)	0.125"	(3.2mm)	-	20	-
23JH	0.236"	(6.0mm)	0.236"	(6.0mm)	0.125"	(3.2mm)	-	20	20A
23CP	0.250"	(6.4mm)	0.177"	(4.5mm)	0.354"	(9.0mm)	-	20	-
23CQ	0.250"	(6.4mm)	0.177"	(4.5mm)	0.354"	(9.0mm)	-	20	20A
23DC	0.250"	(6.4mm)	0.177"	(4.5mm)	0.138"	(3.5mm)	0.040" (1.0mm)	20	-
23DD	0.250"	(6.4mm)	0.177"	(4.5mm)	0.138"	(3.5mm)	0.040" (1.0mm)	20	20A
23FA	0.256"	(6.5mm)	0.118"	(3.0mm)	0.125"	(3.2mm)	-	01	-
23FB	0.256"	(6.5mm)	0.118"	(3.0mm)	0.125"	(3.2mm)	-	01	20A
46Bi*	0.276"	(7.0mm)	0.039"	(1.0mm)	0.125"	(3.2mm)	-	04	-
46BJ*	0.276"	(7.0mm)	0.039"	(1.0mm)	0.125"	(3.2mm)	-	04	20A
46DT*	0.276"	(7.0mm)	0.039"	(1.0mm)	0.125"	(3.2mm)	-	04	20Q
46DU*	0.276"	(7.0mm)	0.039"	(1.0mm)	0.125"	(3.2mm)	-	04	(1)-20Q, (1)-20A
46AG*	0.276"	(7.0mm)	0.039"	(1.0mm)	0.125"	(3.2mm)	-	20	-
46AH*	0.276"	(7.0mm)	0.039"	(1.0mm)	0.125"	(3.2mm)	-	20	20A
46BA*	0.276"	(7.0mm)	0.039"	(1.0mm)	0.197"	(5.0mm)	-	20	20Q
46BB*	0.276"	(7.0mm)	0.039"	(1.0mm)	0.197"	(5.0mm)	-	20	(1)-20Q, (1)-20A



*Guide length is 0.425" (See page F for details)

PRODUCT NUMBER	DIMENSION (A)		DIMENSION (B)		DIMENSION (C)		FLOW HOLE (D)	FELT	
								TYPE	RESTRICTOR
46BT*	0.315"	(8.0mm)	0.039"	(1.0mm)	0.125"	(3.2mm)	-	01	-
46BU*	0.315"	(8.0mm)	0.039"	(1.0mm)	0.125"	(3.2mm)	-	01	20A
46CE	0.315"	(8.0mm)	0.039"	(1.0mm)	0.125"	(3.2mm)	-	04	20Q
46CF	0.315"	(8.0mm)	0.039"	(1.0mm)	0.125"	(3.2mm)	-	04	(1)-20Q, (1)-20A
23BR	0.315"	(8.0mm)	0.138"	(3.5mm)	0.125"	(3.2mm)	-	20	-
23BS	0.315"	(8.0mm)	0.138"	(3.5mm)	0.125"	(3.2mm)	-	20	20A
23EE	0.315"	(8.0mm)	0.138"	(3.5mm)	0.374"	(9.5mm)	-	20	-
23EF	0.315"	(8.0mm)	0.138"	(3.5mm)	0.374"	(9.5mm)	-	20	20A
47CC	0.315"	(8.0mm)	0.235"	(6.0mm)	0.125"	(3.2mm)	-	01	-
47CD	0.315"	(8.0mm)	0.235"	(6.0mm)	0.125"	(3.2mm)	-	01	20A
47CA	0.315"	(8.0mm)	0.235"	(6.0mm)	0.125"	(3.2mm)	-	04	-
47CB	0.315"	(8.0mm)	0.235"	(6.0mm)	0.125"	(3.2mm)	-	04	20A
47CE	0.315"	(8.0mm)	0.276"	(7.0mm)	0.125"	(3.2mm)	-	01	-
47CF	0.315"	(8.0mm)	0.276"	(7.0mm)	0.125"	(3.2mm)	-	01	20A
47M	0.315"	(8.0mm)	0.281"	(7.1mm)	0.125"	(3.2mm)	-	20	-
47N	0.315"	(8.0mm)	0.281"	(7.1mm)	0.125"	(3.2mm)	-	20	20A
27DT	0.315"	(8.0mm)	0.787"	(20.0mm)	0.125"	(3.2mm)	-	04	-
27DU	0.315"	(8.0mm)	0.787"	(20.0mm)	0.125"	(3.2mm)	-	04	20A
23AP	0.375"	(9.5mm)	0.138"	(3.5mm)	0.125"	(3.2mm)	-	04	-
23AQ	0.375"	(9.5mm)	0.138"	(3.5mm)	0.125"	(3.2mm)	-	04	20A
23JR	0.375"	(9.5mm)	0.138"	(3.5mm)	0.125"	(3.2mm)	-	04	20Q
23JS	0.375"	(9.5mm)	0.138"	(3.5mm)	0.125"	(3.2mm)	-	04	(1)-20Q, (1)-20A
47BK	0.382"	(9.7mm)	0.236"	(6.0mm)	0.125"	(3.2mm)	-	04	-
47BL	0.382"	(9.7mm)	0.236"	(6.0mm)	0.125"	(3.2mm)	-	04	20A



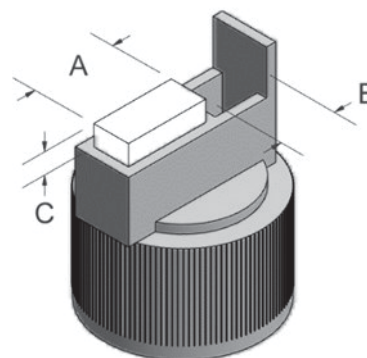
*Guide length is 0.425" (See page F for details)

FLAT APPLICATORS



1624 South Eber Rd., Holland, Ohio 43528
 PHONE: 419.866.0700 FAX: 419.866.0767

PRODUCT NUMBER	DIMENSIONS			FELT	
	DIMENSION (A)	DIMENSION (B)	DIMENSION (C)	TYPE	RESTRICTOR
23HV	0.394" (10.0mm)	0.069" (1.8mm)	0.079" (2.0mm)	04	20Q
23HW	0.394" (10.0mm)	0.069" (1.8mm)	0.079" (2.0mm)	04	(1)- 20Q, (1)- 20A
23HX	0.394" (10.0mm)	0.069" (1.8mm)	0.157" (4.0mm)	04	20Q
23HY	0.394" (10.0mm)	0.069" (1.8mm)	0.157" (4.0mm)	04	(1)- 20Q, (1)- 20A
23EK	0.394" (10.0mm)	0.069" (1.8mm)	0.217" (5.5mm)	20	-
23EL	0.394" (10.0mm)	0.069" (1.8mm)	0.217" (5.5mm)	20	20A
23HP	0.394" (10.0mm)	0.217" (5.5mm)	0.089" (2.3mm)	04	-
23HQ	0.394" (10.0mm)	0.217" (5.5mm)	0.089" (2.3mm)	04	20A
47BC	0.394" (10.0mm)	0.226" (5.7mm)	0.125" (3.2mm)	04	-
47BD	0.394" (10.0mm)	0.226" (5.7mm)	0.125" (3.2mm)	04	20A
44CE	0.394" (10.0mm)	0.571" (14.5mm)	0.125" (3.2mm)	20	-
44CF	0.394" (10.0mm)	0.571" (14.5mm)	0.125" (3.2mm)	20	20A
44EK	0.433" (11.0mm)	1.041" (26.4mm)	0.125" (3.2mm)	04	20Q
44EL	0.433" (11.0mm)	1.041" (26.4mm)	0.125" (3.2mm)	04	(1)- 20Q, (1)- 20A
32CE	0.472" (12.0mm)	0.354" (9.0mm)	0.125" (3.2mm)	01	-
32CF	0.472" (12.0mm)	0.354" (9.0mm)	0.125" (3.2mm)	01	20A
47AM	0.500" (12.7mm)	0.059" (1.5mm)	0.125" (3.2mm)	04	-
47AN	0.500" (12.7mm)	0.059" (1.5mm)	0.125" (3.2mm)	04	20A
47AP	0.500" (12.7mm)	0.059" (1.5mm)	0.125" (3.2mm)	20	-
47AQ	0.500" (12.7mm)	0.059" (1.5mm)	0.125" (3.2mm)	20	20A
47AV	0.500" (12.7mm)	0.098" (2.5mm)	0.125" (3.2mm)	04	-
47AW	0.500" (12.7mm)	0.098" (2.5mm)	0.125" (3.2mm)	04	20A
47BR	0.500" (12.7mm)	0.098" (2.5mm)	0.125" (3.2mm)	20	-
47BS	0.500" (12.7mm)	0.098" (2.5mm)	0.125" (3.2mm)	20	20A
44R	0.500" (12.7mm)	0.236" (6.0mm)	0.125" (3.2mm)	20	-
44S	0.500" (12.7mm)	0.236" (6.0mm)	0.125" (3.2mm)	20	20A
44T	0.500" (12.7mm)	0.236" (6.0mm)	0.125" (3.2mm)	04	-
44U	0.500" (12.7mm)	0.236" (6.0mm)	0.125" (3.2mm)	04	20A
44AV	0.500" (12.7mm)	0.236" (6.0mm)	0.125" (3.2mm)	01	-
44AW	0.500" (12.7mm)	0.236" (6.0mm)	0.125" (3.2mm)	01	20A
44CR	0.500" (12.7mm)	0.276" (7.0mm)	0.125" (3.2mm)	04	-
44CS	0.500" (12.7mm)	0.276" (7.0mm)	0.125" (3.2mm)	04	20A
32BE	0.500" (12.7mm)	0.433" (11.0mm)	0.197" (5.0mm)	04	-
32BF	0.500" (12.7mm)	0.433" (11.0mm)	0.197" (5.0mm)	04	20A
44DK	0.531" (13.5mm)	0.236" (6.0mm)	0.188" (4.8mm)	04	-
44DL	0.531" (13.5mm)	0.236" (6.0mm)	0.188" (4.8mm)	04	20A
32Ai	0.563" (14.3mm)	0.335" (8.5mm)	0.125" (3.2mm)	01	-
32Aj	0.563" (14.3mm)	0.335" (8.5mm)	0.125" (3.2mm)	01	20A
32BA	0.563" (14.3mm)	0.335" (8.5mm)	0.125" (3.2mm)	20	-
32BB	0.563" (14.3mm)	0.335" (8.5mm)	0.125" (3.2mm)	20	20A
47X	0.563" (14.3mm)	0.063" (1.6mm)	0.125" (3.2mm)	20	-
47Y	0.563" (14.3mm)	0.063" (1.6mm)	0.125" (3.2mm)	20	20A

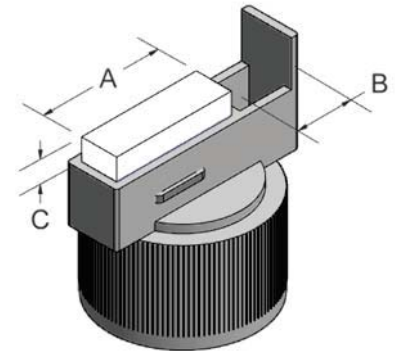


FLAT APPLICATORS



1624 South Eber Rd., Holland, Ohio 43528
 PHONE: 419.866.0700 FAX: 419.866.0767

PRODUCT NUMBER	DIMENSIONS			FELT	
	DIMENSION (A)	DIMENSION (B)	DIMENSION (C)	TYPE	RESTRICTOR
47V	0.625" (15.9mm)	0.063" (1.6mm)	0.125" (3.2mm)	04	-
47W	0.625" (15.9mm)	0.063" (1.6mm)	0.125" (3.2mm)	04	20A
27T	0.625" (15.9mm)	0.468" (11.9mm)	0.125" (3.2mm)	20	-
27U	0.625" (15.9mm)	0.468" (11.9mm)	0.125" (3.2mm)	20	(2)-20A
32CT	0.625" (15.9mm)	0.217" (5.5mm)	0.220" (5.6mm)	04	-
32CU	0.625" (15.9mm)	0.217" (5.5mm)	0.220" (5.6mm)	04	20A
32Di	0.625" (15.9mm)	0.256" (6.5mm)	0.125" (3.2mm)	01	-
32DJ	0.625" (15.9mm)	0.256" (6.5mm)	0.125" (3.2mm)	01	20A
27AC	0.625" (15.9mm)	0.433" (11.0mm)	0.125" (3.2mm)	01	-
27AD	0.625" (15.9mm)	0.433" (11.0mm)	0.125" (3.2mm)	01	20A
38AC	0.625" (15.9mm)	0.750" (19.1mm)	0.125" (3.2mm)	01	-
38AD	0.625" (15.9mm)	0.750" (19.1mm)	0.125" (3.2mm)	01	20A
38AE	0.625" (15.9mm)	0.750" (19.1mm)	0.125" (3.2mm)	04	-
38AF	0.625" (15.9mm)	0.750" (19.1mm)	0.125" (3.2mm)	04	20A
32DC	0.709" (18.0mm)	0.197" (5.0mm)	0.125" (3.2mm)	01	-
32DD	0.709" (18.0mm)	0.197" (5.0mm)	0.125" (3.2mm)	01	20A
27BT	0.728" (18.5mm)	0.375" (9.5mm)	0.236" (6.0mm)	04	-
27BU	0.728" (18.5mm)	0.375" (9.5mm)	0.236" (6.0mm)	04	20A
27FC	0.728" (18.5mm)	0.375" (9.5mm)	0.236" (6.0mm)	04	20Q
27FD	0.728" (18.5mm)	0.375" (9.5mm)	0.236" (6.0mm)	04	(1)-20Q (1)-20A
32CV	0.750" (19.1mm)	0.217" (5.5mm)	0.125" (3.2mm)	04	-
32CW	0.750" (19.1mm)	0.217" (5.5mm)	0.125" (3.2mm)	04	20A
32EV	0.750" (19.1mm)	0.217" (5.5mm)	0.125" (3.2mm)	01	-
32EW	0.750" (19.1mm)	0.217" (5.5mm)	0.125" (3.2mm)	01	20A
32EP	0.750" (19.1mm)	0.256" (6.5mm)	0.125" (3.2mm)	04	-
32EQ	0.750" (19.1mm)	0.256" (6.5mm)	0.125" (3.2mm)	04	20A
32BP	0.750" (19.1mm)	0.276" (7.0mm)	0.125" (3.2mm)	01	-
32BQ	0.750" (19.1mm)	0.276" (7.0mm)	0.125" (3.2mm)	01	20A
32CP	0.750" (19.1mm)	0.276" (7.0mm)	0.125" (3.2mm)	20	-
32CQ	0.750" (19.1mm)	0.276" (7.0mm)	0.125" (3.2mm)	20	20A
32ER	0.787" (20.0mm)	0.059" (1.5mm)	0.125" (3.2mm)	01	-
32ES	0.787" (20.0mm)	0.059" (1.5mm)	0.125" (3.2mm)	01	20A

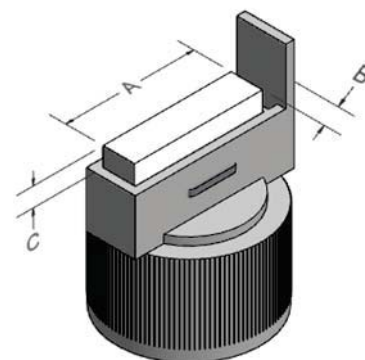


FLAT APPLICATORS



1624 South Eber Rd., Holland, Ohio 43528
 PHONE: 419.866.0700 FAX: 419.866.0767

PRODUCT NUMBER	DIMENSION (A)		DIMENSION (B)		DIMENSION (C)		FELT TYPE	RESTRICTOR
27Ei	0.787"	(20.0mm)	0.236"	(6.0mm)	0.125"	(3.2mm)	01	-
27EJ	0.787"	(20.0mm)	0.236"	(6.0mm)	0.125"	(3.2mm)	01	20A
27EK	0.787"	(20.0mm)	0.413"	(10.5mm)	0.125"	(3.2mm)	01	-
27EL	0.787"	(20.0mm)	0.413"	(10.5mm)	0.125"	(3.2mm)	01	20A
27CG	0.813"	(20.7mm)	0.098"	(2.5mm)	0.125"	(3.2mm)	04	-
27CH	0.813"	(20.7mm)	0.098"	(2.5mm)	0.125"	(3.2mm)	04	20A
27DC	0.813"	(20.7mm)	0.098"	(2.5mm)	0.125"	(3.2mm)	20	-
27DD	0.813"	(20.7mm)	0.098"	(2.5mm)	0.125"	(3.2mm)	20	20A
27DK	0.827"	(21.0mm)	0.177"	(4.5mm)	0.125"	(3.2mm)	04	-
27DL	0.827"	(21.0mm)	0.177"	(4.5mm)	0.125"	(3.2mm)	04	20A
27FA	0.827"	(21.0mm)	0.354"	(9.0mm)	0.125"	(3.2mm)	04	-
27FB	0.827"	(21.0mm)	0.354"	(9.0mm)	0.125"	(3.2mm)	04	20A
27CA	0.866"	(22.0mm)	0.390"	(9.9mm)	0.125"	(3.2mm)	04	-
27CB	0.866"	(22.0mm)	0.390"	(9.9mm)	0.125"	(3.2mm)	04	20A
27BA	0.866"	(22.0mm)	0.390"	(9.9mm)	0.125"	(3.2mm)	01	-
27BB	0.866"	(22.0mm)	0.390"	(9.9mm)	0.125"	(3.2mm)	01	20A
27CK	0.894"	(22.7mm)	0.118"	(3.0mm)	0.125"	(3.2mm)	04	-
27CL	0.894"	(22.7mm)	0.118"	(3.0mm)	0.125"	(3.2mm)	04	20A
27FI	0.903"	(22.9mm)	0.079"	(2.0mm)	0.125"	(3.2mm)	04	-
27FK	0.903"	(22.9mm)	0.079"	(2.0mm)	0.125"	(3.2mm)	04	20A
27FK	1.102"	(28.0mm)	0.079"	(2.0mm)	0.125"	(3.2mm)	04	-
27FL	1.102"	(28.0mm)	0.079"	(2.0mm)	0.125"	(3.2mm)	04	20A
27CC	1.000"	(25.4mm)	0.079"	(2.0mm)	0.125"	(3.2mm)	04	-
27CD	1.000"	(25.4mm)	0.079"	(2.0mm)	0.125"	(3.2mm)	04	20A
27FP	1.000"	(25.4mm)	0.079"	(2.0mm)	0.125"	(3.2mm)	04	20Q
27FQ	1.000"	(25.4mm)	0.079"	(2.0mm)	0.125"	(3.2mm)	04	(1)-20Q, (1)-20A
27AR	1.000"	(25.4mm)	0.188"	(4.8mm)	0.125"	(3.2mm)	20	-
27AS	1.000"	(25.4mm)	0.188"	(4.8mm)	0.125"	(3.2mm)	20	20A
27P	1.000"	(25.4mm)	0.210"	(5.3mm)	0.125"	(3.2mm)	04	-
27Q	1.000"	(25.4mm)	0.210"	(5.3mm)	0.125"	(3.2mm)	04	20A
27BX	1.000"	(25.4mm)	0.236"	(6.0mm)	0.125"	(3.2mm)	04	-
27BY	1.000"	(25.4mm)	0.236"	(6.0mm)	0.125"	(3.2mm)	04	20A
38X	1.000"	(25.4mm)	0.393"	(10.0mm)	0.125"	(3.2mm)	04	-
38Y	1.000"	(25.4mm)	0.393"	(10.0mm)	0.125"	(3.2mm)	04	20A
38R	1.000"	(25.4mm)	0.393"	(10.0mm)	0.125"	(3.2mm)	20	-
38S	1.000"	(25.4mm)	0.393"	(10.0mm)	0.125"	(3.2mm)	20	20A
56T	1.000"	(25.4mm)	1.374"	(34.9mm)	0.125"	(3.2mm)	01	-
56U	1.000"	(25.4mm)	1.374"	(34.9mm)	0.125"	(3.2mm)	01	20A
56P	1.102"	(28.0mm)	1.043"	(26.5mm)	0.125"	(3.2mm)	01	-
56Q	1.102"	(28.0mm)	1.043"	(26.5mm)	0.125"	(3.2mm)	01	20A
27AK	1.125"	(28.6mm)	0.118"	(3.0mm)	0.125"	(3.2mm)	01	-
27AL	1.125"	(28.6mm)	0.118"	(3.0mm)	0.125"	(3.2mm)	01	-
27BZ	1.125"	(28.6mm)	0.118"	(3.0mm)	0.125"	(3.2mm)	20	(2)-20A

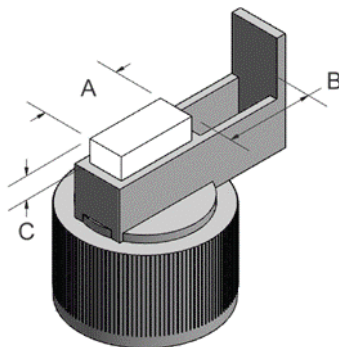
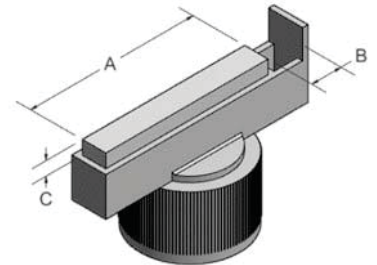


FLAT APPLICATORS



1624 South Eber Rd., Holland, Ohio 43528
 PHONE: 419.866.0700 FAX: 419.866.0767

PRODUCT NUMBER	DIMENSION (A)		DIMENSION (B)		DIMENSION (C)		FELT TYPE	RESTRICTOR
33A	1.343"	(34.1mm)	0.250"	(6.4mm)	0.125"	(3.2mm)	01	-
33B	1.343"	(34.1mm)	0.250"	(6.4mm)	0.125"	(3.2mm)	01	20A
38AM	1.375"	(34.9mm)	0.110"	(2.8mm)	0.236"	(6.0mm)	04	-
38AN	1.375"	(34.9mm)	0.110"	(2.8mm)	0.236"	(6.0mm)	04	20A
33E	1.378"	(35.0mm)	0.079"	(2.0mm)	0.125"	(3.2mm)	04	-
33F	1.378"	(35.0mm)	0.079"	(2.0mm)	0.125"	(3.2mm)	04	20A
38BG	1.460"	(37.1mm)	0.079"	(2.0mm)	0.125"	(3.2mm)	32	-
38BH	1.460"	(37.1mm)	0.079"	(2.0mm)	0.125"	(3.2mm)	32	20A
38BI	1.460"	(37.1mm)	0.079"	(2.0mm)	0.125"	(3.2mm)	01	-
38BJ	1.460"	(37.1mm)	0.079"	(2.0mm)	0.125"	(3.2mm)	01	20A
38Z	1.460"	(37.1mm)	0.079"	(2.0mm)	0.125"	(3.2mm)	04	(2)-20A
38BT	1.496"	(38.0mm)	0.079"	(2.0mm)	0.159"	(4.0mm)	04	-
38BU	1.496"	(38.0mm)	0.079"	(2.0mm)	0.159"	(4.0mm)	04	20A
34A	1.562"	(39.7mm)	0.250"	(6.4mm)	0.125"	(3.2mm)	01	-
34B	1.562"	(39.7mm)	0.250"	(6.4mm)	0.125"	(3.2mm)	01	20A
34E	1.562"	(39.7mm)	0.250"	(6.4mm)	0.159"	(4.0mm)	20	-
34F	1.562"	(39.7mm)	0.250"	(6.4mm)	0.159"	(4.0mm)	20	20A
58AK	1.692"	(43.0mm)	0.204"	(5.2mm)	0.159"	(4.0mm)	04	-
58AL	1.692"	(43.0mm)	0.204"	(5.2mm)	0.159"	(4.0mm)	04	20A
58X	1.750"	(44.5mm)	0.315"	(8.0mm)	0.125"	(3.2mm)	01	-
58Y	1.750"	(44.5mm)	0.315"	(8.0mm)	0.125"	(3.2mm)	01	20A
58AP	1.811"	(46.0mm)	0.204"	(5.0mm)	0.125"	(3.2mm)	04	-
58AQ	1.811"	(46.0mm)	0.204"	(5.0mm)	0.125"	(3.2mm)	04	20A



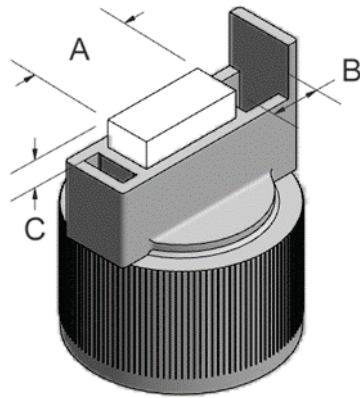
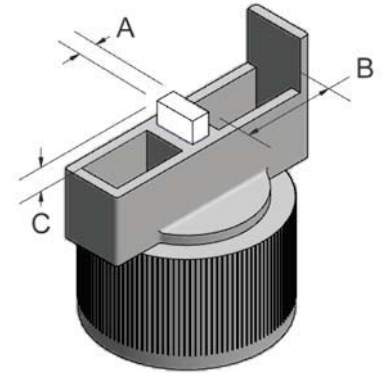
PRODUCT NUMBER	DIMENSION (A)		DIMENSION (B)		DIMENSION (C)		FELT TYPE	RESTRICTOR
38Ai	0.315"	(8.0mm)	1.000"	(25.4mm)	0.125"	(3.2mm)	01	-
38AJ	0.315"	(8.0mm)	1.000"	(25.4mm)	0.125"	(3.2mm)	01	20A
27CT	0.508"	(12.9mm)	0.551"	(14.0mm)	0.125"	(3.2mm)	01	-
27CU	0.508"	(12.9mm)	0.551"	(14.0mm)	0.125"	(3.2mm)	01	20A
27AX	0.590"	(15.0mm)	0.650"	(16.5mm)	0.125"	(3.2mm)	01	-
27AY	0.590"	(15.0mm)	0.650"	(16.5mm)	0.125"	(3.2mm)	01	20A
27DR	0.625"	(15.9mm)	0.472"	(12.0mm)	0.125"	(3.2mm)	01	-
27DS	0.625"	(15.9mm)	0.472"	(12.0mm)	0.125"	(3.2mm)	01	20A
27BM	0.625"	(15.9mm)	0.650"	(16.5mm)	0.125"	(3.2mm)	20	-
27BN	0.625"	(15.9mm)	0.650"	(16.5mm)	0.125"	(3.2mm)	20	20A
38BA	0.625"	(15.9mm)	0.748"	(19.0mm)	0.125"	(3.2mm)	04	20Q
38BB	0.625"	(15.9mm)	0.748"	(19.0mm)	0.125"	(3.2mm)	04	(1)-20Q, (1)-20A
58AM	0.787"	(20.0mm)	1.200"	(30.5mm)	0.125"	(3.2mm)	01	-
58AN	0.787"	(20.0mm)	1.200"	(30.5mm)	0.125"	(3.2mm)	01	20A

FLAT APPLICATORS



1624 South Eber Rd., Holland, Ohio 43528
 PHONE: 419.866.0700 FAX: 419.866.0767

PRODUCT NUMBER	DIMENSION (A)		DIMENSION (B)		DIMENSION (C)		FELT TYPE	RESTRICTOR
23BV	0.125"	(3.2mm)	0.330"	(8.4mm)	0.118"	(3.0mm)	09	-
23BW	0.125"	(3.2mm)	0.330"	(8.4mm)	0.118"	(3.0mm)	09	20A
27X	0.125"	(3.2mm)	0.593"	(15.1mm)	0.125"	(3.2mm)	09	-
27Y	0.125"	(3.2mm)	0.593"	(15.1mm)	0.125"	(3.2mm)	09	20A



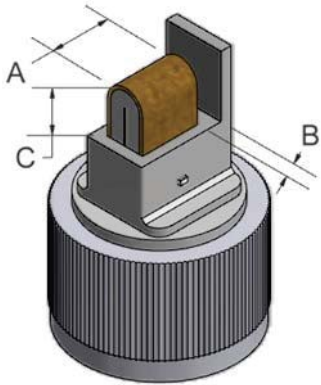
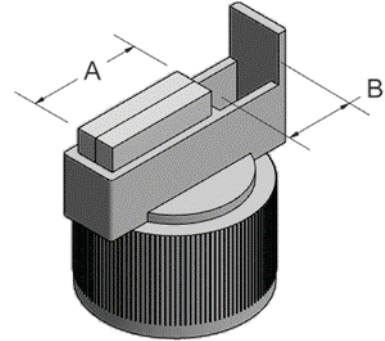
PRODUCT NUMBER	DIMENSION (A)		DIMENSION (B)		DIMENSION (C)		FELT TYPE	RESTRICTOR
32AG	0.625"	(15.9mm)	0.256"	(6.5mm)	0.125"	(3.2mm)	04	-
32AH	0.625"	(15.9mm)	0.256"	(6.5mm)	0.125"	(3.2mm)	04	20A
32BM	0.625"	(15.9mm)	0.275"	(7.0mm)	0.125"	(3.2mm)	01	-
32BN	0.625"	(15.9mm)	0.275"	(7.0mm)	0.125"	(3.2mm)	01	20A
27FR	0.625"	(15.9mm)	0.390"	(9.9mm)	0.125"	(3.2mm)	04	-
27FS	0.625"	(15.9mm)	0.390"	(9.9mm)	0.125"	(3.2mm)	04	20A
27AA	0.625"	(15.9mm)	0.390"	(9.9mm)	0.125"	(3.2mm)	20	-
27AB	0.625"	(15.9mm)	0.390"	(9.9mm)	0.125"	(3.2mm)	20	20A
32DA	0.669"	(17.0mm)	0.118"	(3.0mm)	0.125"	(3.2mm)	04	-
32DB	0.669"	(17.0mm)	0.118"	(3.0mm)	0.125"	(3.2mm)	04	20A
32Ci	0.750"	(19.1mm)	0.118"	(3.0mm)	0.125"	(3.2mm)	01	-
32CJ	0.750"	(19.1mm)	0.118"	(3.0mm)	0.125"	(3.2mm)	01	20A
32CX	0.750"	(19.1mm)	0.118"	(3.0mm)	0.125"	(3.2mm)	04	-
32CY	0.750"	(19.1mm)	0.118"	(3.0mm)	0.125"	(3.2mm)	04	20A
32AK	0.750"	(19.1mm)	0.118"	(3.0mm)	0.125"	(3.2mm)	20	-
32AL	0.750"	(19.1mm)	0.118"	(3.0mm)	0.125"	(3.2mm)	20	20A

FLAT APPLICATORS



1624 South Eber Rd., Holland, Ohio 43528
 PHONE: 419.866.0700 FAX: 419.866.0767

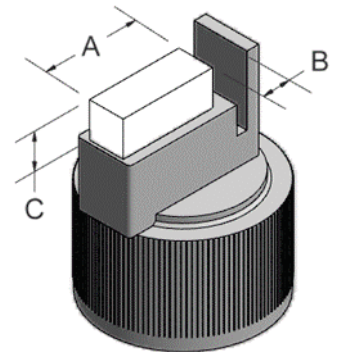
PRODUCT NUMBER	DIMENSION (A)	DIMENSION (B)	FELT TYPE	RESTRICTOR
32EG	0.750" (19.1mm)	0.276" (7.0mm)	03	-
32EH	0.750" (19.1mm)	0.276" (7.0mm)	03	20A
27CX	0.787" (20.0mm)	0.433" (11.0mm)	03	-
27CY	0.787" (20.0mm)	0.433" (11.0mm)	03	20A



PRODUCT NUMBER	DIMENSION (A)	DIMENSION (B)	DIMENSION (C)	MTL TYPE	RESTRICTOR
23ET	0.394" (10.0mm)	0.079" (2.0mm)	0.276" (7.0mm)	70 & 93	-
23EU	0.394" (10.0mm)	0.079" (2.0mm)	0.276" (7.0mm)	70 & 93	20A

PRODUCT NUMBER	DIMENSION (A)	DIMENSION (B)	DIMENSION (C)	FELT TYPE	RESTRICTOR
32AT*	0.610" (15.5mm)	0.118" (3.0mm)	0.250" (6.4mm)	04	-
32AU*	0.610" (15.5mm)	0.118" (3.0mm)	0.250" (6.4mm)	04	20A

*Guide length is 0.610" (See page F for details)

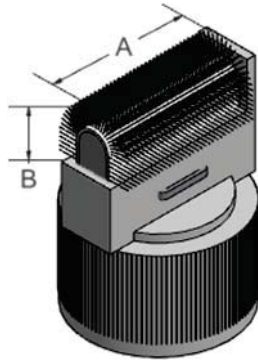
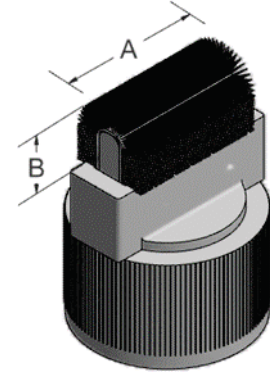


FLAT APPLICATORS



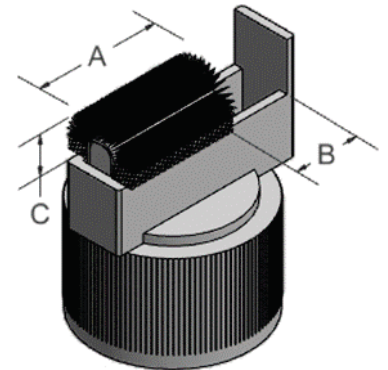
1624 South Eber Rd., Holland, Ohio 43528
 PHONE: 419.866.0700 FAX: 419.866.0767

PRODUCT NUMBER	DIMENSION (A)	DIMENSION (B)	FOAM TYPE	MOHAIR TYPE	RESTRICTOR
47AR	0.669" (17.0mm)	0.275" (7.0mm)	70	90	-
47AS	0.669" (17.0mm)	0.275" (7.0mm)	70	90	20A
32BT	0.866" (22.0mm)	0.275" (7.0mm)	70	90	-
32BU	0.866" (22.0mm)	0.275" (7.0mm)	70	90	20A
32FG	1.000" (25.4mm)	0.512" (13.0mm)	(2)-50	90	20Q
32FH	1.000" (25.4mm)	0.512" (13.0mm)	(2)-50	90	(1)-20Q, (1)-20A



PRODUCT NUMBER	DIMENSION (A)	DIMENSION (B)	FOAM TYPE	MOHAIR TYPE	RESTRICTOR
32EX	0.953" (24.2mm)	0.295" (7.5mm)	70	90	-
32EY	0.953" (24.2mm)	0.295" (7.5mm)	70	90	20A
27EG	1.125" (28.6mm)	0.295" (7.5mm)	70	90	-
27EH	1.125" (28.6mm)	0.295" (7.5mm)	70	90	20A
27EC	1.142" (29.0mm)	0.131" (3.3mm)	70	90	-
27ED	1.142" (29.0mm)	0.131" (3.3mm)	70	90	20A

PRODUCT NUMBER	DIMENSION (A)	DIMENSION (B)	DIMENSION (C)	FOAM TYPE	MOHAIR TYPE	RESTRICTOR
23DE	0.394" (10.0mm)	0.157" (4.0mm)	0.276" (7.0mm)	70	90	-
23DF	0.394" (10.0mm)	0.157" (4.0mm)	0.276" (7.0mm)	70	90	20A
27EP	0.669" (17.0mm)	0.276" (7.0mm)	0.276" (7.0mm)	70	90	-
27EQ	0.669" (17.0mm)	0.276" (7.0mm)	0.240" (6.1mm)	70	90	20A
27BV	0.728" (18.5mm)	0.375" (9.5mm)	0.240" (6.1mm)	70	90	-
27BW	0.728" (18.5mm)	0.375" (9.5mm)	0.240" (6.1mm)	70	90	20A
56R	1.180" (30.0mm)	1.102" (28.0mm)	0.276" (7.0mm)	70	90	-
56S	1.180" (30.0mm)	1.102" (28.0mm)	0.276" (7.0mm)	70	90	20A

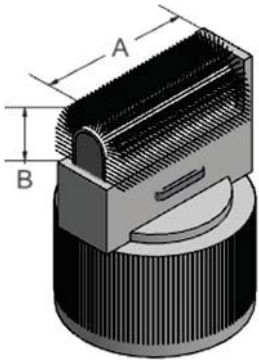
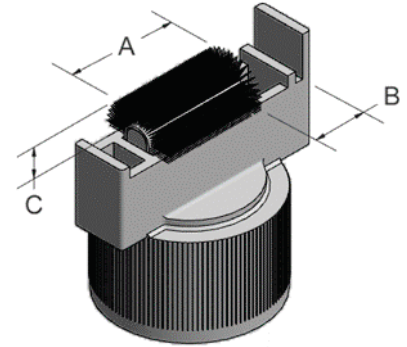


FLAT APPLICATORS



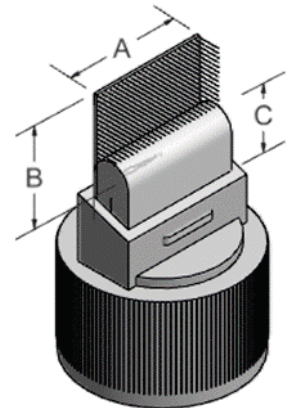
1624 South Eber Rd., Holland, Ohio 43528
 PHONE: 419.866.0700 FAX: 419.866.0767

PRODUCT NUMBER	DIMENSION (A)		DIMENSION (B)		DIMENSION (C)		FOAM TYPE	MOHAIR TYPE	RESTRICTOR
38AP	0.236"	(6.0mm)	0.157"	(4.0mm)	0.295"	(7.5mm)	71	90	-
38AQ	0.236"	(6.0mm)	0.157"	(4.0mm)	0.295"	(7.5mm)	71	90	20A
32EK	0.650"	(16.5mm)	0.157"	(4.0mm)	0.295"	(7.5mm)	70	90	-
32EL	0.650"	(16.5mm)	0.157"	(4.0mm)	0.295"	(7.5mm)	70	90	20A
27DP	0.709"	(18.0mm)	0.276"	(7.0mm)	0.295"	(7.5mm)	70	90	-
27DQ	0.709"	(18.0mm)	0.276"	(7.0mm)	0.295"	(7.5mm)	70	90	20A
27CM	0.728"	(18.5mm)	0.354"	(9.0mm)	0.295"	(7.5mm)	70	90	-
27CN	0.728"	(18.5mm)	0.354"	(9.0mm)	0.295"	(7.5mm)	70	90	20A
38AK	1.024"	(26.0mm)	0.197"	(5.0mm)	0.295"	(7.5mm)	70	90	-
38AL	1.024"	(26.0mm)	0.197"	(5.0mm)	0.295"	(7.5mm)	70	90	20A
49AC	1.161"	(29.5mm)	0.236"	(6.0mm)	0.275"	(7.0mm)	70	90	-
49AD	1.161"	(29.5mm)	0.236"	(6.0mm)	0.275"	(7.0mm)	70	90	20A



PRODUCT NUMBER	DIMENSION (A)		DIMENSION (B)		DIMENSION (C)		FOAM TYPE	MOHAIR TYPE	RESTRICTOR
32BV	0.750"	(19.1mm)	0.118"	(3.0mm)	0.240"	(6.1mm)	70	90	-
32BW	0.750"	(19.1mm)	0.118"	(3.0mm)	0.240"	(6.1mm)	70	90	20A

PRODUCT NUMBER	DIMENSION (A)		DIMENSION (B)		DIMENSION (C)		FOAM TYPE	MOHAIR TYPE	RESTRICTOR
62E	0.750"	(19.1mm)	0.591"	(15.0mm)	0.236"	(6.0mm)	70	90	-
62F	0.750"	(19.1mm)	0.591"	(15.0mm)	0.236"	(6.0mm)	70	90	20A

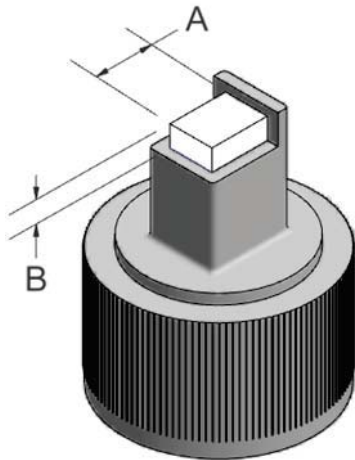
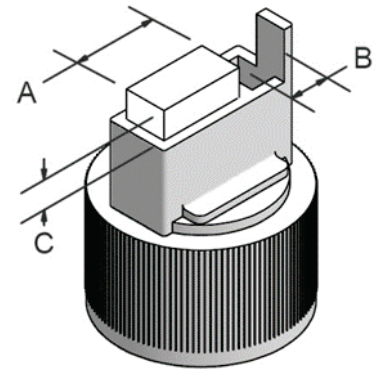


FLAT APPLICATORS



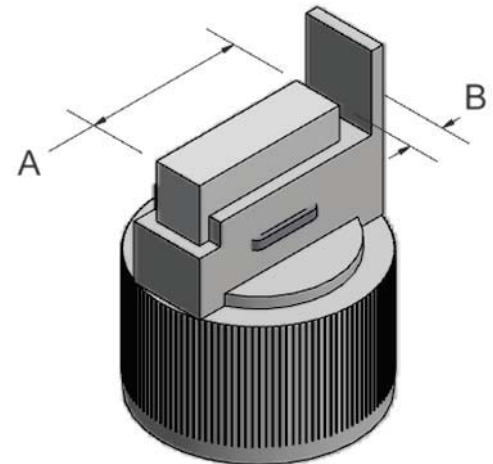
1624 South Eber Rd., Holland, Ohio 43528
 PHONE: 419.866.0700 FAX: 419.866.0767

PRODUCT NUMBER	DIMENSION (A)		DIMENSION (B)		DIMENSION (C)		FELT TYPE	RESTRICTOR
44BM	0.500"	(12.7mm)	0.256"	(6.5mm)	0.125"	(3.2mm)	04	-
44BN	0.500"	(12.7mm)	0.256"	(6.5mm)	0.125"	(3.2mm)	04	20A
44BK	0.539"	(13.7mm)	0.226"	(5.7mm)	0.125"	(3.2mm)	01	-
44BL	0.539"	(13.7mm)	0.226"	(5.7mm)	0.125"	(3.2mm)	01	20A



PRODUCT NUMBER	DIMENSION (A)		DIMENSION (B)		FELT TYPE	RESTRICTOR
46CP	0.315"	(8.0mm)	0.125"	(3.2mm)	20	-
46CQ	0.315"	(8.0mm)	0.125"	(3.2mm)	20	20A

PRODUCT NUMBER	DIMENSION (A)		DIMENSION (B)		FELT TYPE	RESTRICTOR
27DG	0.827"	(21.0mm)	0.079"	(2.0mm)	04	-
27DH	0.827"	(21.0mm)	0.079"	(2.0mm)	04	20A

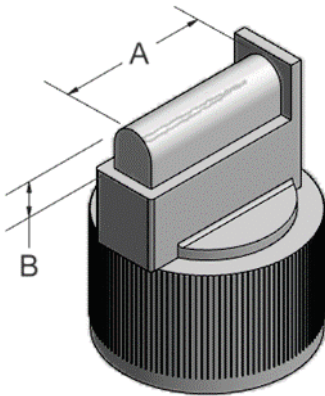
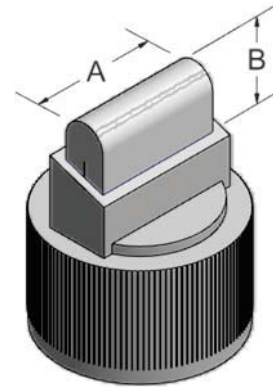


FLAT APPLICATORS



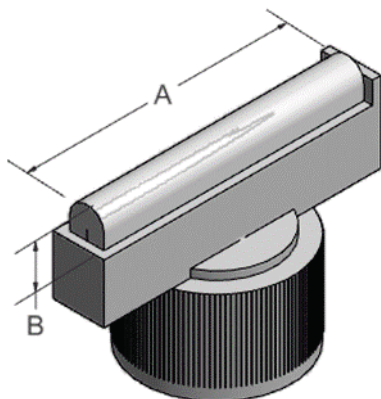
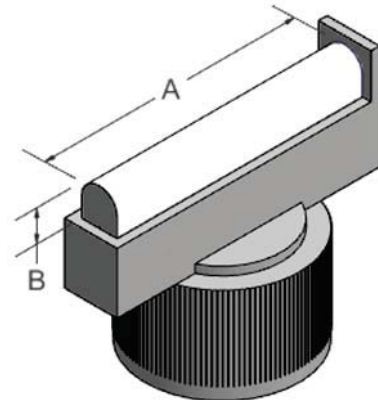
1624 South Eber Rd., Holland, Ohio 43528
 PHONE: 419.866.0700 FAX: 419.866.0767

PRODUCT NUMBER	DIMENSION (A)		DIMENSION (B)		FOAM TYPE	RESTRICTOR
62C	0.750"	(19.1mm)	0.260"	(6.6mm)	70	-
62D	0.750"	(19.1mm)	0.260"	(6.6mm)	70	20A



PRODUCT NUMBER	DIMENSION (A)		DIMENSION (B)		FOAM TYPE	RESTRICTOR
32CM	0.875"	(22.2mm)	0.217"	(5.5mm)	70	-
32CN	0.875"	(22.2mm)	0.217"	(5.5mm)	70	20A

PRODUCT NUMBER	DIMENSION (A)		DIMENSION (B)		FOAM TYPE	RESTRICTOR
27BE	1.125"	(28.6mm)	0.220"	(5.6mm)	70	-
27BF	1.125"	(28.6mm)	0.220"	(5.6mm)	70	20A
49T	1.750"	(44.5mm)	0.220"	(5.6mm)	70	-
49U	1.750"	(44.5mm)	0.220"	(5.6mm)	70	20A



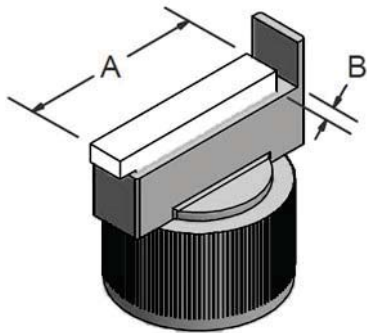
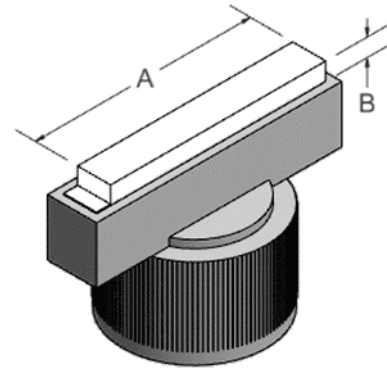
PRODUCT NUMBER	DIMENSION (A)		DIMENSION (B)		FOAM TYPE	RESTRICTOR
49AK	1.888"	(48.0mm)	0.216"	(5.5mm)	70	-
49AL	1.888"	(48.0mm)	0.216"	(5.5mm)	70	20A

FLAT APPLICATORS



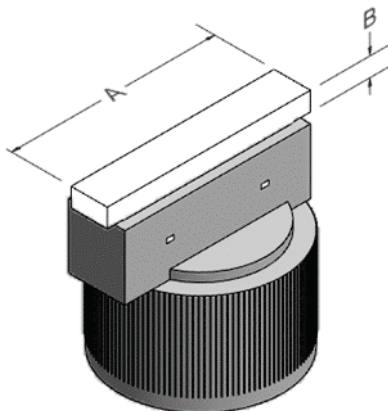
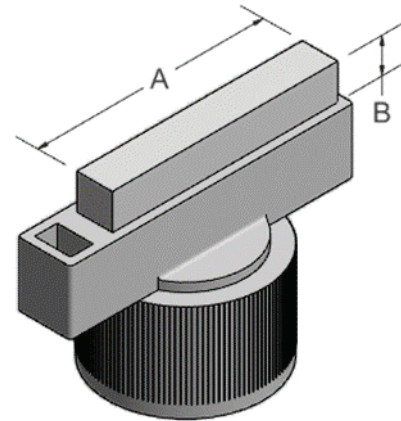
1624 South Eber Rd., Holland, Ohio 43528
 PHONE: 419.866.0700 FAX: 419.866.0767

PRODUCT NUMBER	DIMENSION (A)	DIMENSION (B)	FELT TYPE	RESTRICTOR
49R	1.614" (41.0mm)	0.125" (3.2mm)	01	-
49S	1.614" (41.0mm)	0.125" (3.2mm)	01	20A
53K	2.063" (52.4mm)	0.188" (4.8mm)	01	-
53L	2.063" (52.4mm)	0.188" (4.8mm)	01	20A



PRODUCT NUMBER	DIMENSION (A)	DIMENSION (B)	FELT TYPE	RESTRICTOR
44EI	0.807" (20.5mm)	-	04	-
44EJ	0.807" (20.5mm)	-	04	20A
27AM	1.250" (31.8mm)	0.118" (3.0mm)	04	-
27AN	1.250" (31.8mm)	0.118" (3.0mm)	04	20A

PRODUCT NUMBER	DIMENSION (A)	DIMENSION (B)	FELT TYPE	RESTRICTOR
34C	1.563" (39.7mm)	0.250" (6.4mm)	01	-
34D	1.563" (39.7mm)	0.250" (6.4mm)	01	20A



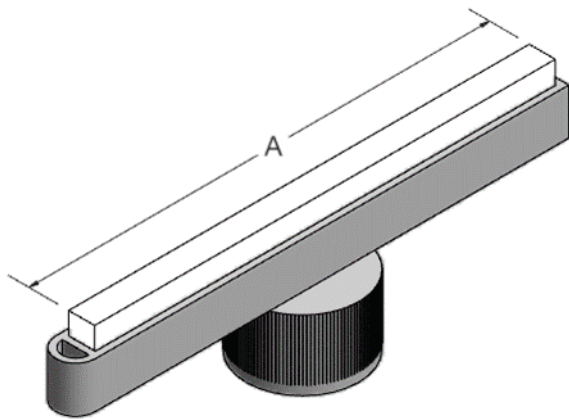
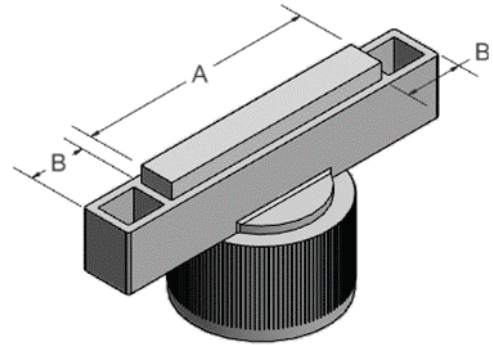
PRODUCT NUMBER	DIMENSION (A)	DIMENSION (B)	FELT TYPE	RESTRICTOR
27FG	1.343" (34.1mm)	0.125" (3.2mm)	04	-
27FH	1.343" (34.1mm)	0.125" (3.2mm)	04	20A

FLAT APPLICATORS



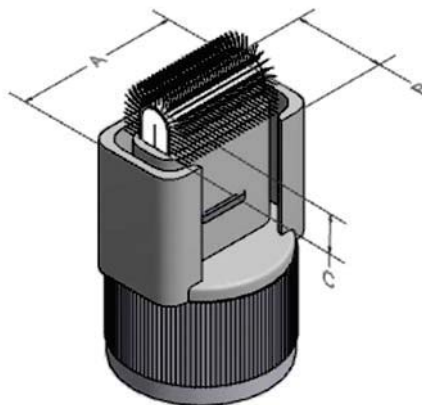
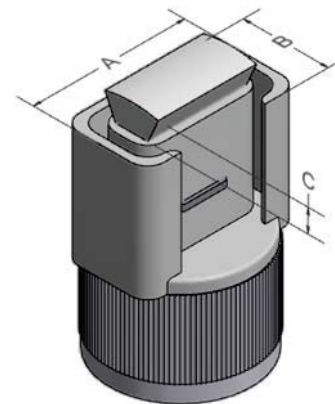
1624 South Eber Rd., Holland, Ohio 43528
 PHONE: 419.866.0700 FAX: 419.866.0767

PRODUCT NUMBER	DIMENSION (A)	DIMENSION (B)	FELT TYPE	RESTRICTOR
33G	1.378" (35.0mm)	0.196" (5.0mm)	04	-
33H	1.378" (35.0mm)	0.196" (5.0mm)	04	20A
33C	1.750" (44.5mm)	0.394" (10.0mm)	01	-
33D	1.750" (44.5mm)	0.394" (10.0mm)	01	20A



PRODUCT NUMBER	DIMENSION (A)	FELT TYPE	RESTRICTOR
69E	4.409" (112.0mm)	01	-
69F	4.409" (112.0mm)	01	20A

PRODUCT NUMBER	DIMENSION (A)	DIMENSION (B)	DIMENSION (C)	FELT TYPE	RESTRICTOR
83A	1.130" (28.7mm)	0.635" (16.1mm)	0.200" (5.1mm)	23	-
83B	1.130" (28.7mm)	0.635" (16.1mm)	0.200" (5.1mm)	23	20A

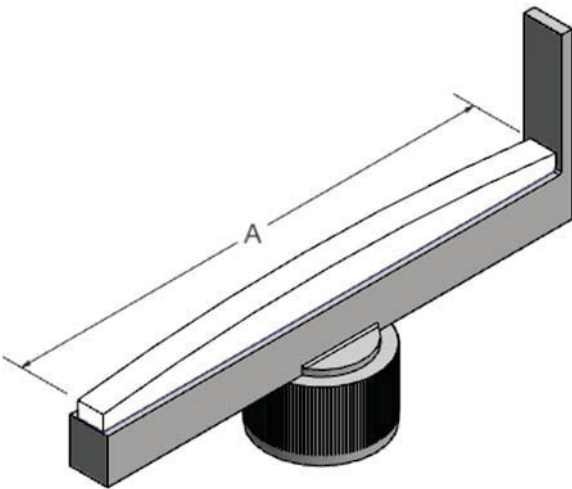
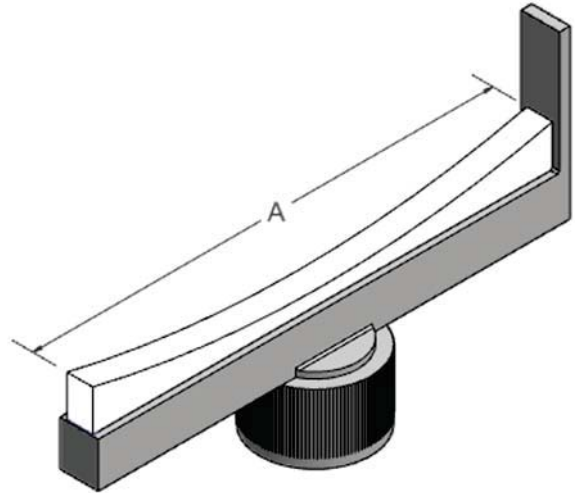


PRODUCT NUMBER	DIMENSION (A)	DIMENSION (B)	DIMENSION (C)	FOAM TYPE	MOHAIR TYPE	RESTRICTOR
83C	1.130" (28.7mm)	0.635" (16.1mm)	0.275" (7.0mm)	70	90	-
83D	1.130" (28.7mm)	0.635" (16.1mm)	0.275" (7.0mm)	70	90	20A

FLAT APPLICATORS

PRODUCT NUMBER	DIMENSION (A)	FELT TYPE	RESTRICTOR
49V	1.752" (44.5mm)	01	-
49W	1.752" (44.5mm)	01	20A
69A*	4.409" (112.0mm)	01	-
69B*	4.409" (112.0mm)	01	20A

* Guide Length is 1.188" (See page F for details)

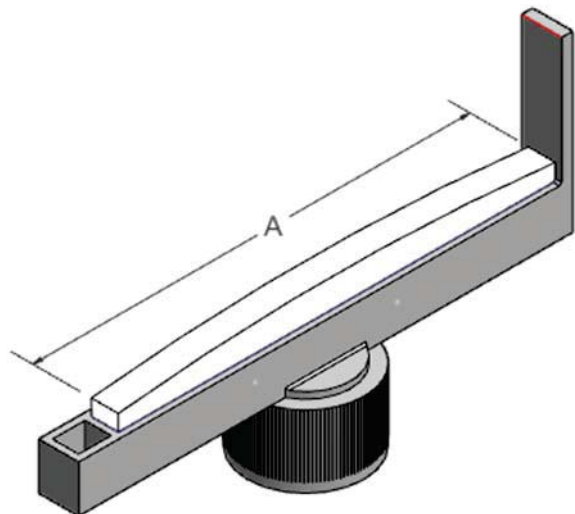


PRODUCT NUMBER	DIMENSION (A)	FELT TYPE	RESTRICTOR
69C*	4.409" (112.0mm)	01	-
69D*	4.409" (112.0mm)	01	20A

* Guide Length is 1.188" (See page F for details)

PRODUCT NUMBER	DIMENSION (A)	FELT TYPE	RESTRICTOR
69G*	4.016" (102.0mm)	01	-
69H*	4.016" (102.0mm)	01	20A

* Guide Length is 1.188" (See page F for details)

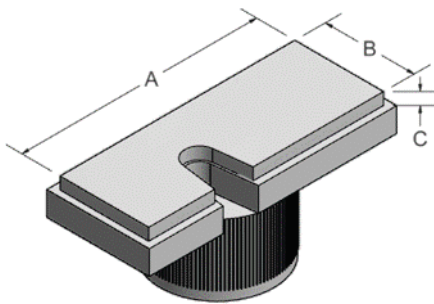
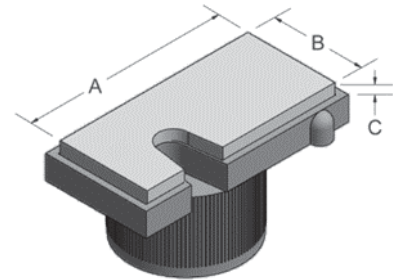


FLAT APPLICATORS



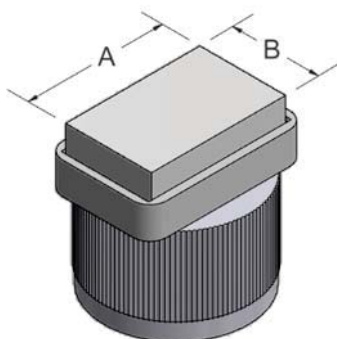
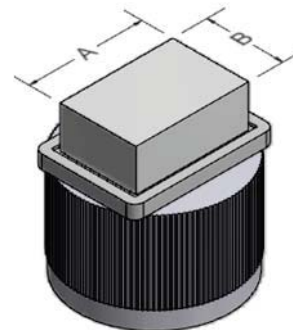
1624 South Eber Rd., Holland, Ohio 43528
 PHONE: 419.866.0700 FAX: 419.866.0767

PRODUCT NUMBER	DIMENSIONS			FELT	
	DIMENSION (A)	DIMENSION (B)	DIMENSION (C)	TYPE	RESTRICTOR
42E	1.800" (45.7mm)	0.840" (21.3mm)	0.118" (3.0mm)	04	-
42F	1.800" (45.7mm)	0.840" (21.3mm)	0.118" (3.0mm)	04	20A



PRODUCT NUMBER	DIMENSIONS			FELT	
	DIMENSION (A)	DIMENSION (B)	DIMENSION (C)	TYPE	RESTRICTOR
42G	2.224" (56.5mm)	0.840" (21.3mm)	0.118" (3.0mm)	04	-
42H	2.224" (56.5mm)	0.840" (21.3mm)	0.118" (3.0mm)	04	20A

PRODUCT NUMBER	DIMENSIONS		FELT	
	DIMENSION (A)	DIMENSION (B)	TYPE	RESTRICTOR
42AA	0.787" (20.0mm)	0.530" (13.5mm)	33	-
42AB	0.787" (20.0mm)	0.530" (13.5mm)	33	20A



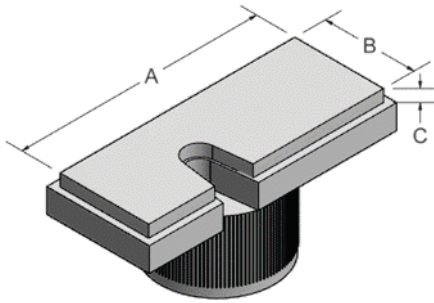
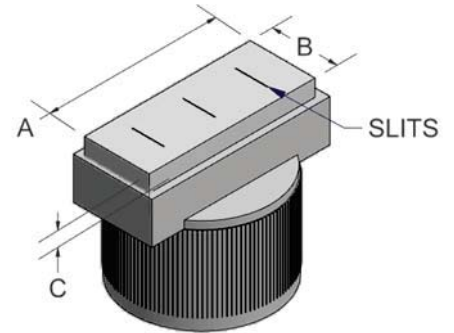
PRODUCT NUMBER	DIMENSIONS		FELT	
	DIMENSION (A)	DIMENSION (B)	TYPE	RESTRICTOR
42P	0.984" (25.0mm)	0.629" (16.0mm)	23	-
42Q	0.984" (25.0mm)	0.629" (16.0mm)	23	20A

FLAT APPLICATORS



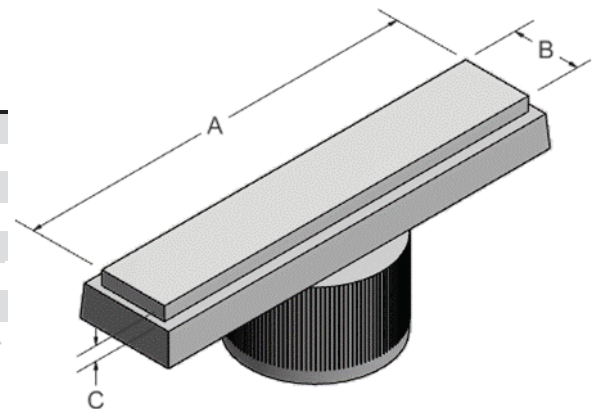
1624 South Eber Rd., Holland, Ohio 43528
 PHONE: 419.866.0700 FAX: 419.866.0767

PRODUCT			FELT			
NUMBER	DIMENSION (A)	DIMENSION (B)	DIMENSION (C)	TYPE	RESTRICTOR	
42A	1.281" (32.5mm)	0.500" (12.7mm)	0.118" (3.0mm)	01	-	
42B	1.281" (32.5mm)	0.500" (12.7mm)	0.118" (3.0mm)	01	20A	



PRODUCT			FELT			
NUMBER	DIMENSION (A)	DIMENSION (B)	DIMENSION (C)	TYPE	RESTRICTOR	
42X	1.625" (41.3mm)	0.625" (15.9mm)	0.095" (2.4mm)	04	-	
42Y	1.625" (41.3mm)	0.625" (15.9mm)	0.095" (2.4mm)	04	20A	

PRODUCT			MATL			
NUMBER	DIMENSION (A)	DIMENSION (B)	DIMENSION (C)	TYPE	RESTRICTOR	
42K	2.960" (75.2mm)	0.600" (15.2mm)	0.125" (3.2mm)	70	-	
42L	2.960" (75.2mm)	0.600" (15.2mm)	0.125" (3.2mm)	70	20A	
42C	3.000" (76.2mm)	0.500" (12.7mm)	0.098" (2.5mm)	04	-	
42D	3.000" (76.2mm)	0.500" (12.7mm)	0.098" (2.5mm)	04	20A	
42AC	3.000" (76.2mm)	0.500" (12.7mm)	0.098" (2.5mm)	23	-	
42AD	3.000" (76.2mm)	0.500" (12.7mm)	0.098" (2.5mm)	23	20A	
42I	3.000" (76.2mm)	0.500" (12.7mm)	0.098" (2.5mm)	04	20Q	
42J	3.000" (76.2mm)	0.500" (12.7mm)	0.098" (2.5mm)	04	(1)-20Q, (1)-20A	

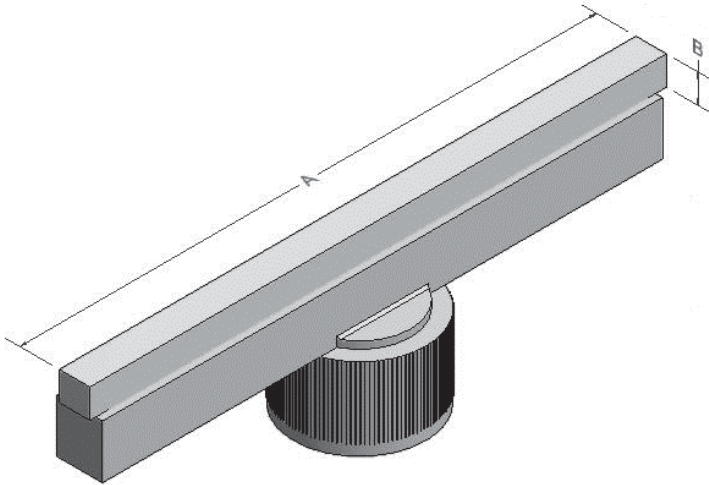
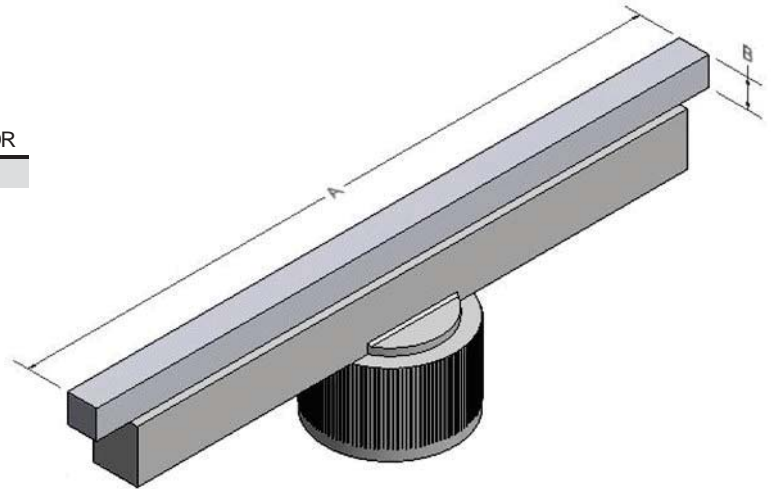


FLAT APPLICATORS



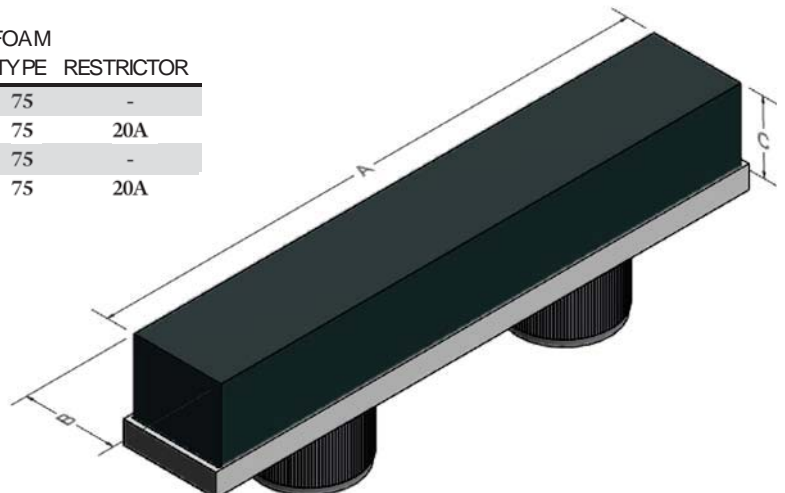
1624 South Eber Rd., Holland, Ohio 43528
 PHONE: 419.866.0700 FAX: 419.866.0767

PRODUCT				FELT	
NUMBER	DIMENSION (A)	DIMENSION (B)	TYPE	RESTRICTOR	
69i	5.100" (129.5mm)	0.236" (6.0mm)	04	-	
69J	5.100" (129.5mm)	0.236" (6.0mm)	04	20A	



PRODUCT				FELT	
NUMBER	DIMENSION (A)	DIMENSION (B)	TYPE	RESTRICTOR	
69K	4.720" (119.9mm)	0.236" (6.0mm)	04	-	
69L	4.720" (119.9mm)	0.236" (6.0mm)	04	20A	

PRODUCT				FOAM	
NUMBER	DIMENSION (A)	DIMENSION (B)	DIMENSION (C)	TYPE	RESTRICTOR
42T	5.980" (151.9mm)	1.000" (25.4mm)	0.830" (21.1mm)	75	-
42U	5.980" (151.9mm)	1.000" (25.4mm)	0.830" (21.1mm)	75	20A
42V	6.000" (152.4mm)	1.445" (36.7mm)	0.830" (21.1mm)	75	-
42W	6.000" (152.4mm)	1.445" (36.7mm)	0.830" (21.1mm)	75	20A

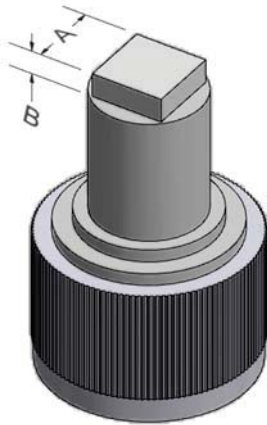
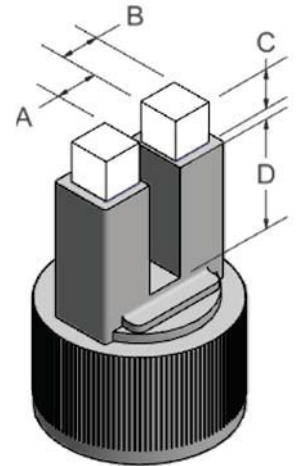


FLAT APPLICATORS



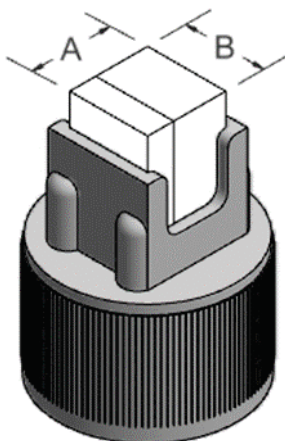
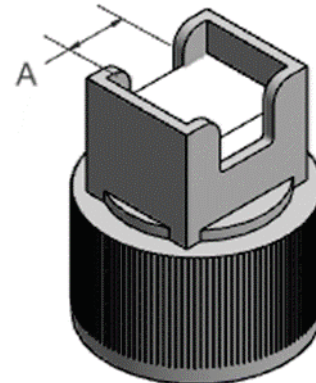
1624 South Eber Rd., Holland, Ohio 43528
 PHONE: 419.866.0700 FAX: 419.866.0767

PRODUCT NUMBER	DIMENSION (A)	DIMENSION (B)	DIMENSION (C)	DIMENSION (D)	FELT	
					TYPE	RESTRICTOR
44AR	0.250" (6.4mm)	0.250" (6.4mm)	0.250" (6.4mm)	0.709" (18.0mm)	04	-
44AS	0.250" (6.4mm)	0.250" (6.4mm)	0.250" (6.4mm)	0.709" (18.0mm)	04	20A
44DP	0.250" (6.4mm)	0.375" (9.5mm)	0.250" (6.4mm)	0.709" (18.0mm)	04	-
44DQ	0.250" (6.4mm)	0.375" (9.5mm)	0.250" (6.4mm)	0.709" (18.0mm)	04	20A



PRODUCT NUMBER	DIMENSION (A)	DIMENSION (B)	FELT	
			TYPE	RESTRICTOR
26GK	0.375" (9.5mm)	0.157" (4.0mm)	20	-
26GL	0.375" (9.5mm)	0.157" (4.0mm)	20	20A

PRODUCT NUMBER	DIMENSION (A)	FELT	
		TYPE	RESTRICTOR
54G	0.315" (8.0mm)	06	-
54H	0.315" (8.0mm)	06	20A



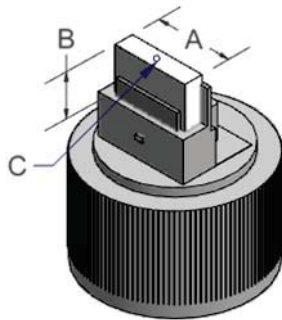
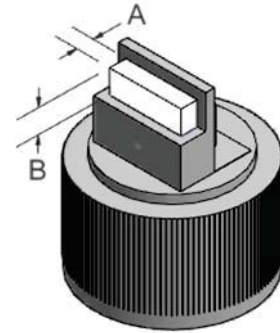
PRODUCT NUMBER	DIMENSION (A)	DIMENSION (B)	FLOW HOLE (C)	FELT TYPE	RESTRICTOR
12C	0.551" (14.0mm)	0.500" (12.7mm)	-	05 & 06	-
12D	0.551" (14.0mm)	0.500" (12.7mm)	-	05 & 06	20A
12X	0.551" (14.0mm)	0.500" (12.7mm)	0.067" (1.7mm)	05 & 06	-
12Y	0.551" (14.0mm)	0.500" (12.7mm)	0.067" (1.7mm)	05 & 06	20A
12T	0.551" (14.0mm)	0.512" (13.0mm)	-	01	-
12U	0.551" (14.0mm)	0.512" (13.0mm)	-	01	20A
12V	0.750" (19.1mm)	0.500" (12.7mm)	-	01	-
12W	0.750" (19.1mm)	0.500" (12.7mm)	-	01	20A

FLAT APPLICATORS



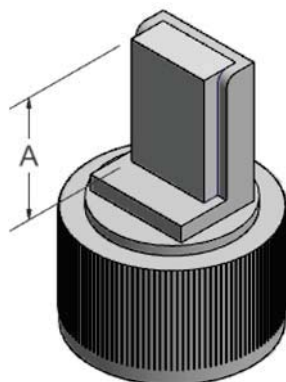
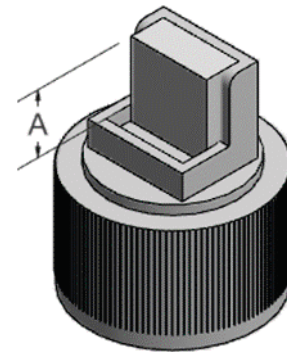
1624 South Eber Rd., Holland, Ohio 43528
 PHONE: 419.866.0700 FAX: 419.866.0767

PRODUCT NUMBER	DIMENSION (A)	DIMENSION (B)	FELT TYPE	RESTRICTOR
11AA	0.125" (3.2mm)	0.125" (3.2mm)	12	-
11AB	0.125" (3.2mm)	0.125" (3.2mm)	12	20A
11R	0.125" (3.2mm)	0.125" (3.2mm)	13	-
11S	0.125" (3.2mm)	0.125" (3.2mm)	13	20A
11X	0.125" (3.2mm)	0.125" (3.2mm)	09	-
11Y	0.125" (3.2mm)	0.125" (3.2mm)	09	20A
11AC	0.125" (3.2mm)	0.250" (6.4mm)	09	-
11AD	0.125" (3.2mm)	0.250" (6.4mm)	09	20A



PRODUCT NUMBER	DIMENSION (A)	DIMENSION (B)	FLOW HOLE (C)	FELT TYPE	RESTRICTOR
11BR	0.500" (12.7mm)	0.294" (7.5mm)	0.035" (7.5mm)	09	-
11BS	0.500" (12.7mm)	0.294" (7.5mm)	0.035" (7.5mm)	09	20A

PRODUCT NUMBER	DIMENSION (A)	FELT TYPE	RESTRICTOR
11Ai	0.364" (9.2mm)	16	-
11AJ	0.364" (9.2mm)	16	20A
11Bi	0.364" (9.2mm)	16	20Q
11BJ	0.364" (9.2mm)	16	(1)-20Q, (1)-20A



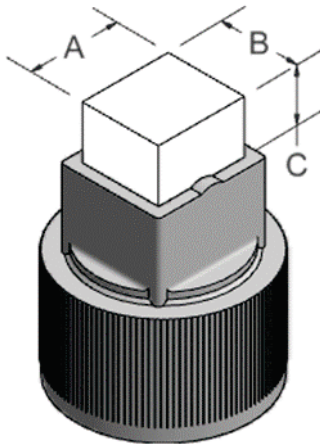
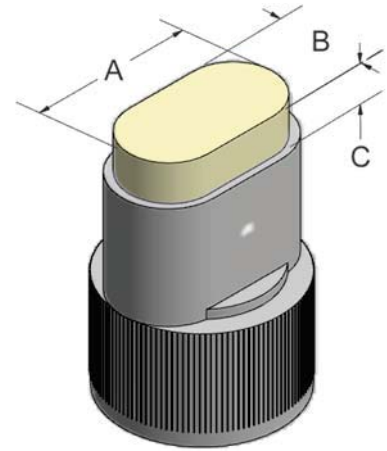
PRODUCT NUMBER	DIMENSION (A)	FELT TYPE	RESTRICTOR
11BX	0.297" (7.5mm)	16	20A
11BY	0.297" (7.5mm)	16	(1)-20Q, (1)-20A
11AM	0.709" (18.0mm)	16	-
11AN	0.709" (18.0mm)	16	20A
16AC	1.000" (25.4mm)	02	-
16AD	1.000" (25.4mm)	02	20A
80i	1.181" (30.0mm)	02	-
80J	1.181" (30.0mm)	02	20A

FLAT APPLICATORS



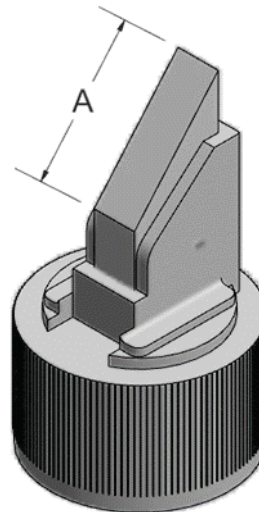
1624 South Eber Rd., Holland, Ohio 43528
 PHONE: 419.866.0700 FAX: 419.866.0767

PRODUCT NUMBER	DIMENSIONS			FELT	
	DIMENSION (A)	DIMENSION (B)	DIMENSION (C)	TYPE	RESTRICTOR
65E	0.551" (14.0mm)	0.315" (8.0mm)	0.148" (3.8mm)	32	-
65F	0.551" (14.0mm)	0.315" (8.0mm)	0.148" (3.8mm)	32	20A
65G	0.591" (15.0mm)	0.315" (8.0mm)	0.148" (3.8mm)	17	-
65H	0.591" (15.0mm)	0.315" (8.0mm)	0.148" (3.8mm)	17	20A
67A	0.980" (24.9mm)	0.540" (13.7mm)	0.315" (8.0mm)	11	-
67B	0.980" (24.9mm)	0.540" (13.7mm)	0.315" (8.0mm)	11	20A



PRODUCT NUMBER	DIMENSIONS			FELT	
	DIMENSION (A)	DIMENSION (B)	DIMENSION (C)	TYPE	RESTRICTOR
28M	0.625" (15.9mm)	0.500" (12.7mm)	0.295" (7.5mm)	26	-
28N	0.625" (15.9mm)	0.500" (12.7mm)	0.295" (7.5mm)	26	20A
28C	0.625" (15.9mm)	0.500" (12.7mm)	0.295" (7.5mm)	10	-
28D	0.625" (15.9mm)	0.500" (12.7mm)	0.295" (7.5mm)	10	20A
28G	0.625" (15.9mm)	0.563" (14.3mm)	0.580" (14.7mm)	10	-
28H	0.625" (15.9mm)	0.563" (14.3mm)	0.580" (14.7mm)	10	20A
28E	0.630" (16.0mm)	0.500" (12.7mm)	0.580" (14.7mm)	10	-
28F	0.630" (16.0mm)	0.500" (12.7mm)	0.580" (14.7mm)	10	20A

PRODUCT NUMBER	DIMENSION (A)	FELT	
	DIMENSION (A)	TYPE	RESTRICTOR
44BV	0.787" (20.0mm)	04	-
44BW	0.787" (20.0mm)	04	20A

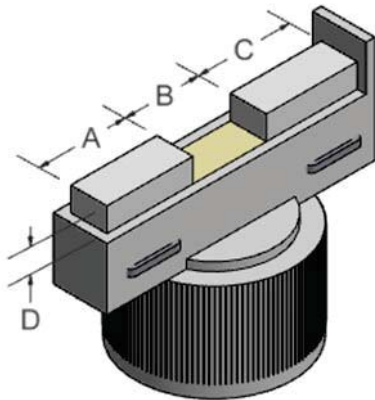
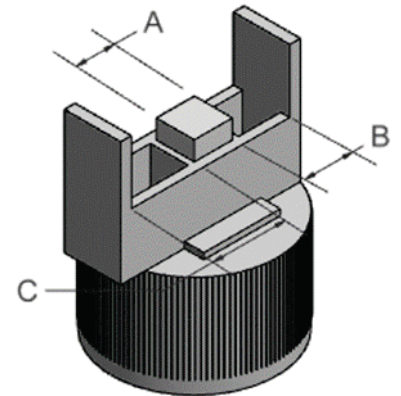


FLAT APPLICATORS

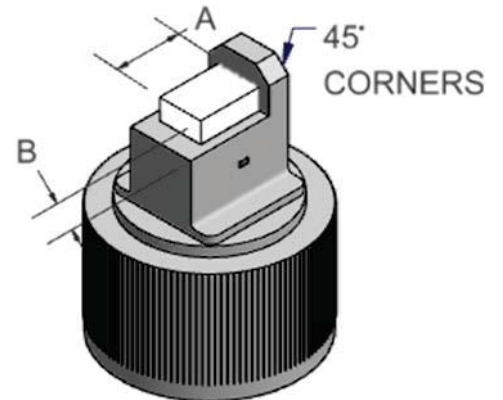


1624 South Eber Rd., Holland, Ohio 43528
 PHONE: 419.866.0700 FAX: 419.866.0767

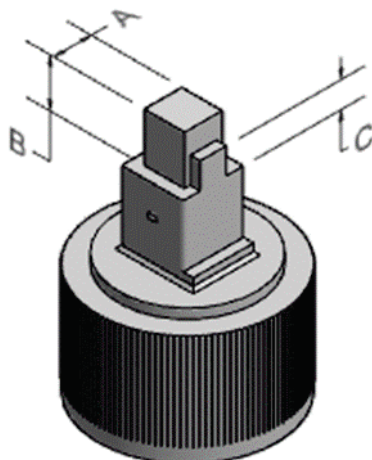
PRODUCT			FELT			
NUMBER	DIMENSION (A)	DIMENSION (B)	DIMENSION (C)	TYPE	RESTRICTOR	
27DM	0.275" (7.0mm)	0.452" (11.5mm)	0.295" (7.5mm)	04	-	
27DN	0.275" (7.0mm)	0.452" (11.5mm)	0.295" (7.5mm)	04	20A	



PRODUCT					FELT	
NUMBER	DIMENSION (A)	DIMENSION (B)	DIMENSION (C)	DIMENSION (D)	TYPE	RESTRICTOR
49AM	0.591" (15.0mm)	0.551" (14.0mm)	0.625" (15.9mm)	0.125" (3.2mm)	01	-
49AN	0.591" (15.0mm)	0.551" (14.0mm)	0.625" (15.9mm)	0.125" (3.2mm)	01	20A



PRODUCT			FELT			
NUMBER	DIMENSION (A)	DIMENSION (B)	TYPE	RESTRICTOR		
23DX	0.394" (10.0mm)	0.125" (3.2mm)	20	20P		
23DY	0.394" (10.0mm)	0.125" (3.2mm)	20	(1)-20P, (1)-20A		



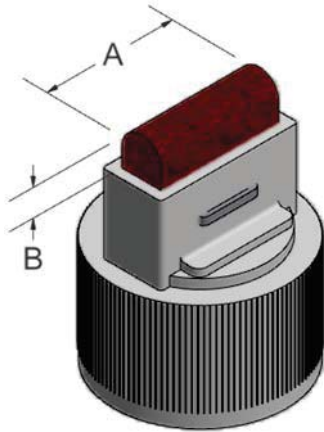
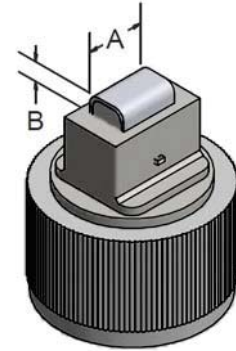
PRODUCT				FELT	
NUMBER	DIMENSION (A)	DIMENSION (B)	DIMENSION (C)	TYPE	RESTRICTOR
46DP	0.295" (7.5mm)	0.295" (7.5mm)	0.157" (4.0mm)	04	-
46DQ	0.295" (7.5mm)	0.295" (7.5mm)	0.157" (4.0mm)	04	20A

FLAT APPLICATORS



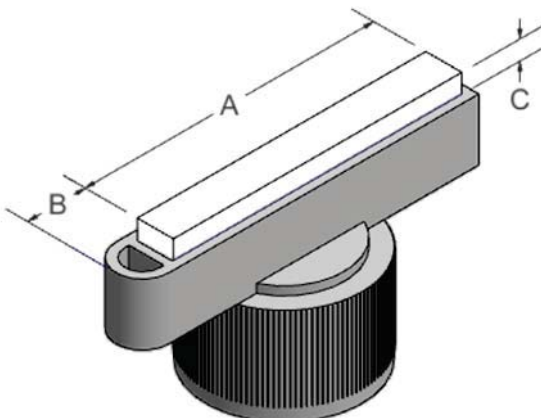
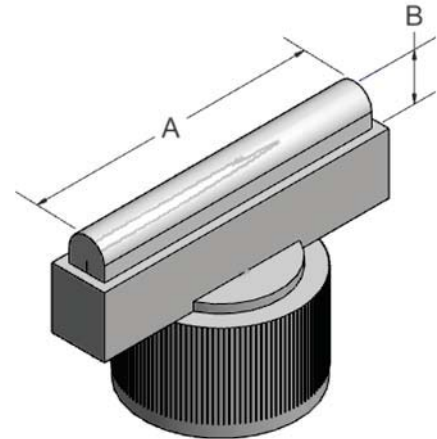
1624 South Eber Rd., Holland, Ohio 43528
 PHONE: 419.866.0700 FAX: 419.866.0767

PRODUCT NUMBER	DIMENSION (A)	DIMENSION (B)	FELT TYPE	RESTRICTOR
23JM	0.394" (10.0mm)	0.125" (3.2mm)	01	-
23JN	0.394" (10.0mm)	0.125" (3.2mm)	01	20A



PRODUCT NUMBER	DIMENSION (A)	DIMENSION (B)	MESH TYPE	RESTRICTOR
44CK	0.750" (19.1mm)	0.197" (5.0mm)	94	20Q
44CL	0.750" (19.1mm)	0.197" (5.0mm)	94	(1)-20Q, (1)-20A

PRODUCT NUMBER	DIMENSION (A)	DIMENSION (B)	FOAM TYPE	RESTRICTOR
27EX	1.125" (28.6mm)	0.216" (5.5mm)	70	-
27EY	1.125" (28.6mm)	0.216" (5.5mm)	70	20A
49Ai	1.888" (48.0mm)	0.216" (5.5mm)	70	-
49AJ	1.888" (48.0mm)	0.216" (5.5mm)	70	20A



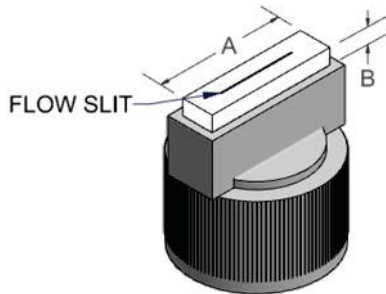
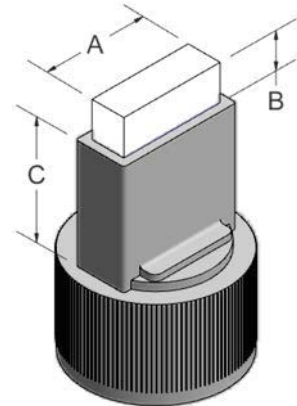
PRODUCT NUMBER	DIMENSION (A)	DIMENSION (B)	DIMENSION (C)	FELT TYPE	RESTRICTOR
61A	2.000" (50.8mm)	0.276" (7.0mm)	0.188" (4.8mm)	01	-
61B	2.000" (50.8mm)	0.276" (7.0mm)	0.188" (4.8mm)	01	20A

FLAT APPLICATORS



1624 South Eber Rd., Holland, Ohio 43528
 PHONE: 419.866.0700 FAX: 419.866.0767

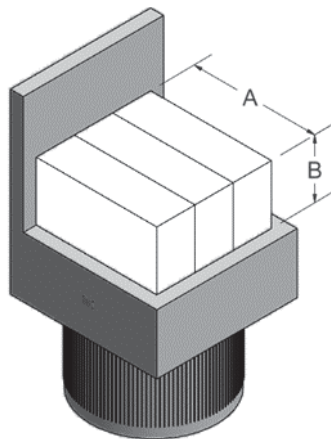
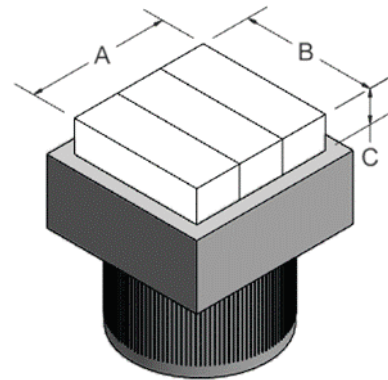
PRODUCT NUMBER	PRODUCT			FELT	
	DIMENSION (A)	DIMENSION (B)	DIMENSION (C)	TYPE	RESTRICTOR
44BX	0.750" (19.1mm)	0.125" (3.2mm)	0.813" (20.7mm)	01	-
44BY	0.750" (19.1mm)	0.125" (3.2mm)	0.813" (20.7mm)	01	20A
44Ci	0.750" (19.1mm)	0.125" (3.2mm)	0.813" (20.7mm)	04	-
44CJ	0.750" (19.1mm)	0.125" (3.2mm)	0.813" (20.7mm)	04	20A
44DX	0.750" (19.1mm)	0.125" (3.2mm)	0.813" (20.7mm)	04	20Q
44DY	0.750" (19.1mm)	0.125" (3.2mm)	0.813" (20.7mm)	04	(1)-20Q, (1)-20A
44AM	0.750" (19.1mm)	0.197" (5.0mm)	0.813" (20.7mm)	20	-
44AN	0.750" (19.1mm)	0.197" (5.0mm)	0.813" (20.7mm)	20	20A
44BT	0.750" (19.1mm)	0.197" (5.0mm)	0.813" (20.7mm)	01	-
44BU	0.750" (19.1mm)	0.197" (5.0mm)	0.813" (20.7mm)	01	20A
44BP	0.750" (19.1mm)	0.625" (15.9mm)	0.813" (20.7mm)	20	20Q
44BQ	0.750" (19.1mm)	0.625" (15.9mm)	0.813" (20.7mm)	20	(1)-20Q, (1)-20A
32DV	1.000" (25.4mm)	0.197" (5.0mm)	0.717" (18.2mm)	01	-
32DW	1.000" (25.4mm)	0.197" (5.0mm)	0.717" (18.2mm)	01	20A
32AX	1.000" (25.4mm)	0.197" (5.0mm)	0.717" (18.2mm)	20	-
32AY	1.000" (25.4mm)	0.197" (5.0mm)	0.717" (18.2mm)	20	20A



PRODUCT NUMBER	PRODUCT			FELT	
	DIMENSION (A)	DIMENSION (B)	DIMENSION (C)	TYPE	RESTRICTOR
32R	1.000" (25.4mm)	0.125" (3.2mm)	0.717" (18.2mm)	01	-
32S	1.000" (25.4mm)	0.125" (3.2mm)	0.717" (18.2mm)	01	20A
32i*	1.000" (25.4mm)	0.375" (9.5mm)	0.717" (18.2mm)	01	-
32j*	1.000" (25.4mm)	0.375" (9.5mm)	0.717" (18.2mm)	01	20A

*3/8"-24 Threaded Base

PRODUCT NUMBER	PRODUCT			FELT	
	DIMENSION (A)	DIMENSION (B)	DIMENSION (C)	TYPE	RESTRICTOR
52A	1.000" (25.4mm)	1.000" (25.4mm)	0.312" (7.9mm)	06	-
52B	1.000" (25.4mm)	1.000" (25.4mm)	0.312" (7.9mm)	06	20A



PRODUCT NUMBER	PRODUCT			FELT	
	DIMENSION (A)	DIMENSION (B)	DIMENSION (C)	TYPE	RESTRICTOR
52E**	1.000" (25.4mm)	0.551" (14.0mm)	0.312" (7.9mm)	06	20P
52F**	1.000" (25.4mm)	0.551" (14.0mm)	0.312" (7.9mm)	06	(1)-20A, (1)-20P

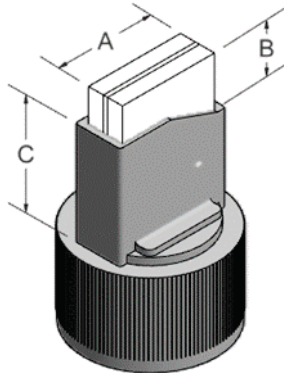
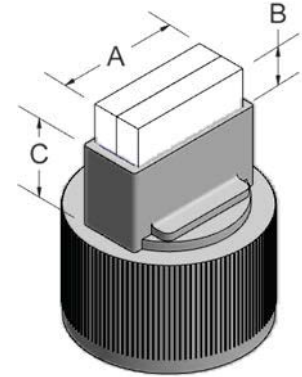
** Guide Length is 1.000" (See page F for details)

FLAT APPLICATORS



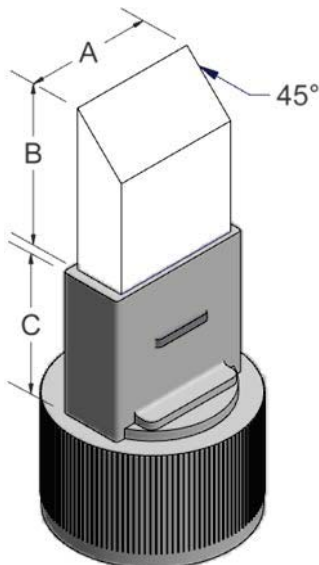
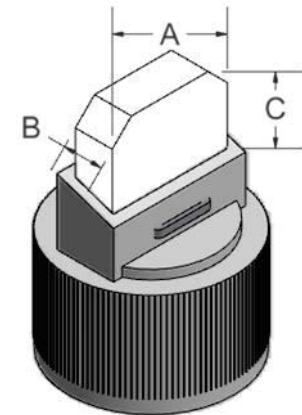
1624 South Eber Rd., Holland, Ohio 43528
 PHONE: 419.866.0700 FAX: 419.866.0767

PRODUCT NUMBER	DIMENSION (A)	DIMENSION (B)	DIMENSION (C)	FELT TYPE	RESTRICTOR
44i	0.750" (19.1mm)	0.188" (4.8mm)	0.483" (12.3mm)	03	-
44J	0.750" (19.1mm)	0.188" (4.8mm)	0.483" (12.3mm)	03	20A
44Ai	0.750" (19.1mm)	0.188" (4.8mm)	0.483" (12.3mm)	03	(2)-20A
44V	0.750" (19.1mm)	0.188" (4.8mm)	0.813" (20.7mm)	03	-
44W	0.750" (19.1mm)	0.188" (4.8mm)	0.813" (20.7mm)	03	20A



PRODUCT NUMBER	DIMENSION (A)	DIMENSION (B)	DIMENSION (C)	FELT TYPE	RESTRICTOR
44AE	0.750" (19.1mm)	0.335" (8.5mm)	0.813" (20.7mm)	03	-
44AF	0.750" (19.1mm)	0.335" (8.5mm)	0.813" (20.7mm)	03	20A

PRODUCT NUMBER	DIMENSION (A)	DIMENSION (B)	DIMENSION (C)	FELT TYPE	RESTRICTOR
62A	0.750" (19.1mm)	0.188" (4.8mm)	0.500" (12.7mm)	04	-
62B	0.750" (19.1mm)	0.188" (4.8mm)	0.500" (12.7mm)	04	20A
62G	0.750" (19.1mm)	0.240" (6.1mm)	0.433" (11.0mm)	04	20P
62H	0.750" (19.1mm)	0.240" (6.1mm)	0.433" (11.0mm)	04	(1)-20A, (1)-20P
44CX	0.750" (19.1mm)	0.250" (6.4mm)	0.315" (8.0mm)	27	-
44CY	0.750" (19.1mm)	0.250" (6.4mm)	0.315" (8.0mm)	27	20A



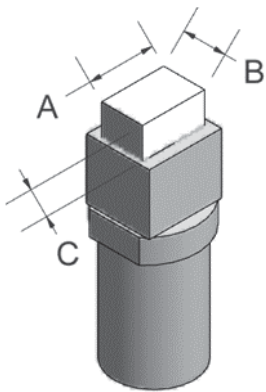
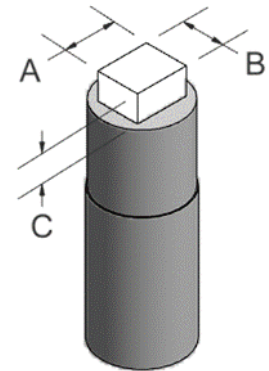
PRODUCT NUMBER	DIMENSION (A)	DIMENSION (B)	DIMENSION (C)	FELT TYPE	RESTRICTOR
44ER	0.750" (19.1mm)	0.101" (2.6mm)	1.271" (32.3mm)	04	-
44ES	0.750" (19.1mm)	0.101" (2.6mm)	1.271" (32.3mm)	04	20A
23EC	0.500" (12.7mm)	0.467" (11.9mm)	0.625" (15.9mm)	28	-
23ED	0.500" (12.7mm)	0.467" (11.9mm)	0.625" (15.9mm)	28	20A
44CM	0.750" (19.1mm)	0.433" (11.0mm)	0.813" (20.7mm)	20	-
44CN	0.750" (19.1mm)	0.433" (11.0mm)	0.813" (20.7mm)	20	20A
44DE	0.750" (19.1mm)	0.512" (13.0mm)	0.813" (20.7mm)	20	-
44DF	0.750" (19.1mm)	0.512" (13.0mm)	0.813" (20.7mm)	20	20A
44CP	0.750" (19.1mm)	0.567" (14.4mm)	0.813" (20.7mm)	04	-
44CQ	0.750" (19.1mm)	0.567" (14.4mm)	0.813" (20.7mm)	04	20A
44DC	0.750" (19.1mm)	0.866" (22.0mm)	0.813" (20.7mm)	20	-
44DD	0.750" (19.1mm)	0.866" (22.0mm)	0.813" (20.7mm)	20	20A
44AK	0.750" (19.1mm)	0.866" (22.0mm)	0.813" (20.7mm)	20	20Q
44AL	0.750" (19.1mm)	0.866" (22.0mm)	0.813" (20.7mm)	20	(1)-20A, (1)-20Q

FLAT APPLICATORS

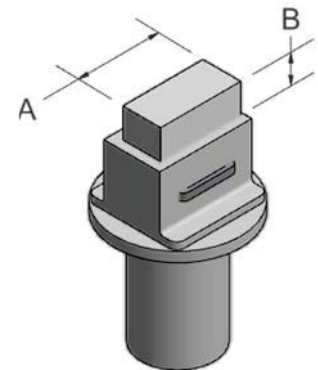


1624 South Eber Rd., Holland, Ohio 43528
 PHONE: 419.866.0700 FAX: 419.866.0767

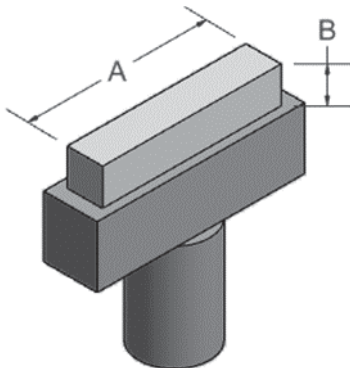
PRODUCT NUMBER	DIMENSION (A)	DIMENSION (B)	DIMENSION (C)	FELT TYPE	RESTRICTOR
68A	0.313" (8.0mm)	0.300" (7.6mm)	0.217" (5.5mm)	20	-
68B	0.313" (8.0mm)	0.300" (7.6mm)	0.217" (5.5mm)	20	20A



PRODUCT NUMBER	DIMENSION (A)	DIMENSION (B)	DIMENSION (C)	FELT TYPE	RESTRICTOR
46DE	0.375" (9.5mm)	0.300" (7.6mm)	0.260" (6.6mm)	20	-
46DF	0.375" (9.5mm)	0.300" (7.6mm)	0.260" (6.6mm)	20	20A



PRODUCT NUMBER	DIMENSION (A)	DIMENSION (B)	FELT TYPE	RESTRICTOR
23DK	0.531" (13.5mm)	0.150" (3.8mm)	04	-
23DL	0.531" (13.5mm)	0.150" (3.8mm)	04	20A



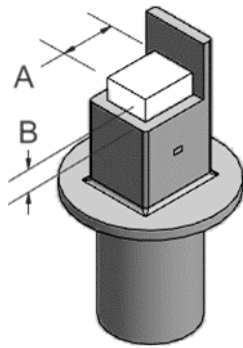
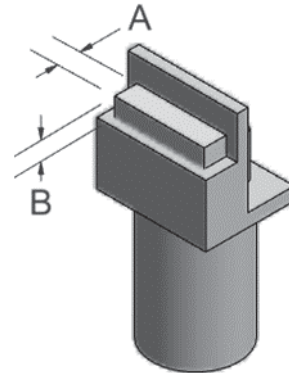
PRODUCT NUMBER	DIMENSION (A)	DIMENSION (B)	FELT TYPE	RESTRICTOR
27EE	1.250" (31.8mm)	0.250" (6.4mm)	04	-
27EF	1.250" (31.8mm)	0.250" (6.4mm)	04	20A

FLAT APPLICATORS



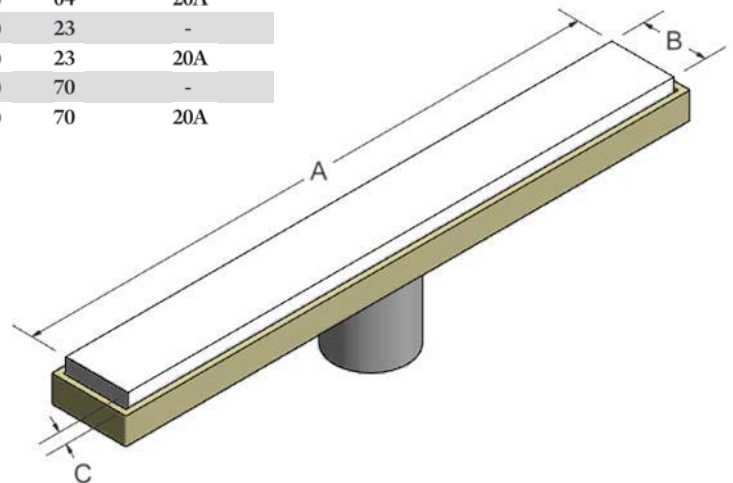
1624 South Eber Rd., Holland, Ohio 43528
 PHONE: 419.866.0700 FAX: 419.866.0767

PRODUCT NUMBER	DIMENSION (A)	DIMENSION (B)	FELT TYPE	RESTRICTOR
11AK	0.125" (3.2mm)	0.125" (3.2mm)	09	-
11AL	0.125" (3.2mm)	0.125" (3.2mm)	09	20A



PRODUCT NUMBER	DIMENSION (A)	DIMENSION (B)	FELT TYPE	RESTRICTOR
46BG	0.315" (8.0mm)	0.125" (3.2mm)	20	-
46BH	0.315" (8.0mm)	0.125" (3.2mm)	20	20A

PRODUCT NUMBER	DIMENSION (A)	DIMENSION (B)	DIMENSION (C)	FELT TYPE	RESTRICTOR
42R	4.000" (101.6mm)	0.590" (15.0mm)	0.125" (3.2mm)	04	-
42S	4.000" (101.6mm)	0.590" (15.0mm)	0.125" (3.2mm)	04	20A
42AE	5.500" (139.7mm)	0.625" (15.9mm)	0.100" (2.5mm)	23	-
42AF	5.500" (139.7mm)	0.625" (15.9mm)	0.100" (2.5mm)	23	20A
42M	5.500" (139.7mm)	0.625" (15.9mm)	0.100" (2.5mm)	70	-
42N	5.500" (139.7mm)	0.625" (15.9mm)	0.100" (2.5mm)	70	20A

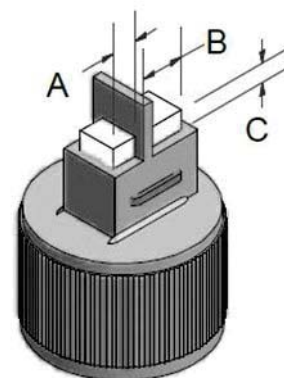


FLAT APPLICATORS

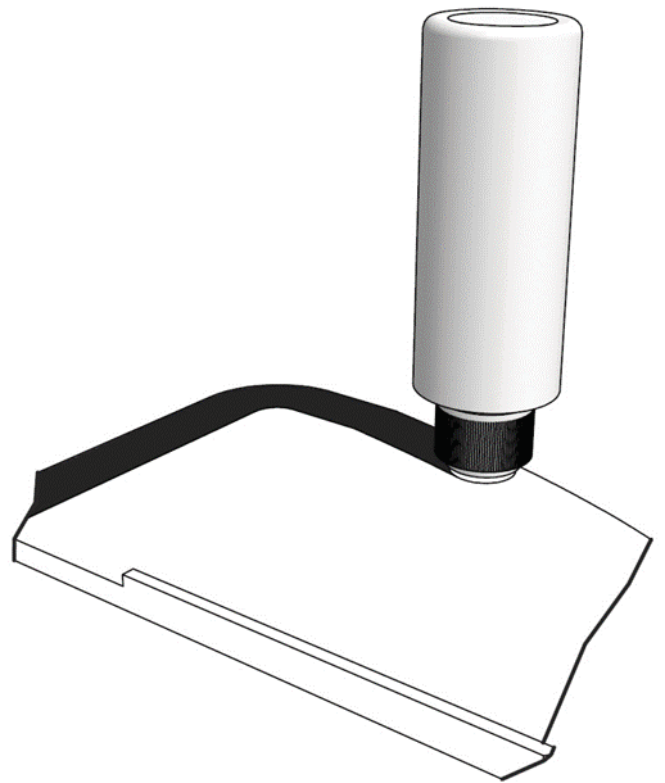


1624 South Eber Rd., Holland, Ohio 43528
PHONE: 419.866.0700 FAX: 419.866.0767

PRODUCT NUMBER	DIMENSION (A)		DIMENSION (B)		DIMENSION (C)		FELT TYPE	RESTRICTOR
84A	0.159"	(4.0mm)	0.279"	(7.1mm)	0.125"	(3.2mm)	04	-
84B	0.159"	(4.0mm)	0.279"	(7.1mm)	0.125"	(3.2mm)	04	20A



The Designetics Round Applicators are used where single surface application is needed. Application style is similar to that of a Flat Applicator except no orientation is necessary. The Round Applicators are designed to apply a broad range of fluid viscosities with crisp demarcation and precise repeatability.

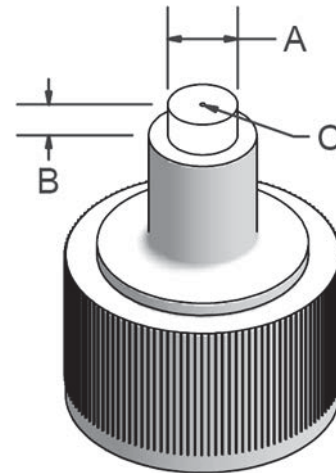


ROUND APPLICATORS



1624 South Eber Rd., Holland, Ohio 43528
 PHONE: 419.866.0700 FAX: 419.866.0767

PRODUCT NUMBER	DIMENSION (A)	DIMENSION (B)	FLOW HOLE (C)	FELT TYPE	RESTRICTOR
26FX	0.157" (4.0mm)	0.098" (2.5mm)	-	07	-
26FY	0.157" (4.0mm)	0.098" (2.5mm)	-	07	20A
26FP	0.157" (4.0mm)	0.098" (2.5mm)	-	07	20Q
26FQ	0.157" (4.0mm)	0.098" (2.5mm)	-	07	(I)-20Q, (I)-20A
26HA	0.196" (5.0mm)	0.098" (2.5mm)	-	07	20Q
26HB	0.196" (5.0mm)	0.098" (2.5mm)	-	07	(I)-20Q, (I)-20A
26HC	0.236" (6.0mm)	0.098" (2.5mm)	-	07	20Q
26HD	0.236" (6.0mm)	0.098" (2.5mm)	-	07	(I)-20Q, (I)-20A
26DR	0.236" (6.0mm)	0.098" (2.5mm)	-	32	-
26DS	0.236" (6.0mm)	0.098" (2.5mm)	-	32	20A
26EM*	0.236" (6.0mm)	0.098" (2.5mm)	-	32	-
26EN*	0.236" (6.0mm)	0.098" (2.5mm)	-	32	20A
26BK	0.236" (6.0mm)	0.098" (2.5mm)	0.025" (0.64mm)	32	-
26BL	0.236" (6.0mm)	0.098" (2.5mm)	0.025" (0.64mm)	32	20A
26HM	0.236" (6.0mm)	0.098" (2.5mm)	-	32	20Q
26HN	0.236" (6.0mm)	0.098" (2.5mm)	-	32	(I)-20Q, (I)-20A
26EA	0.236" (6.0mm)	0.098" (2.5mm)	-	27	20Q
26EB	0.236" (6.0mm)	0.098" (2.5mm)	-	27	(I)-20Q, (I)-20A
26FA	0.236" (6.0mm)	0.098" (2.5mm)	-	32	20Q
26FB	0.236" (6.0mm)	0.098" (2.5mm)	-	32	(I)-20Q, (I)-20A
26BZ	0.236" (6.0mm)	0.148" (3.7mm)	-	20	(2)-20A
26EG	0.236" (6.0mm)	0.177" (4.5mm)	-	20	-
26EH	0.236" (6.0mm)	0.177" (4.5mm)	-	20	-
26Ei	0.252" (6.4mm)	0.059" (1.5mm)	-	05	-
26EJ	0.252" (6.4mm)	0.059" (1.5mm)	-	05	20A
26DG	0.276" (7.0mm)	0.098" (2.5mm)	-	32	-
26DH	0.276" (7.0mm)	0.098" (2.5mm)	-	32	20A
26FE	0.276" (7.0mm)	0.098" (2.5mm)	-	32	20Q
26FF	0.276" (7.0mm)	0.098" (2.5mm)	-	32	(I)-20Q, (I)-20A
26Bi	0.276" (7.0mm)	0.098" (2.5mm)	0.025" (0.64mm)	32	-
26BJ	0.276" (7.0mm)	0.098" (2.5mm)	0.025" (0.64mm)	32	20A
26FG	0.295" (7.5mm)	0.157" (4.0mm)	-	04	-
26FH	0.295" (7.5mm)	0.157" (4.0mm)	-	04	20A
26HG	0.332" (8.4mm)	0.067" (1.7mm)	-	05	-
26HH	0.332" (8.4mm)	0.067" (1.7mm)	-	05	20A
26GV	0.320" (8.1mm)	0.125" (3.2mm)	-	20	-
26GW	0.320" (8.1mm)	0.125" (3.2mm)	-	20	20A
26FR	0.354" (9.0mm)	0.059" (1.5mm)	-	05	-
26FS	0.354" (9.0mm)	0.059" (1.5mm)	-	05	20A
26CM	0.394" (10.0mm)	0.079" (2.0mm)	-	24	-
26CN	0.394" (10.0mm)	0.079" (2.0mm)	-	24	20A
26EX	0.394" (10.0mm)	0.098" (2.5mm)	-	32	-
26EY	0.394" (10.0mm)	0.098" (2.5mm)	-	32	20A
26BM	0.394" (10.0mm)	0.098" (2.5mm)	0.025" (0.64mm)	32	-
26BN	0.394" (10.0mm)	0.098" (2.5mm)	0.025" (0.64mm)	32	20A
26GP	0.394" (10.0mm)	0.177" (4.5mm)	-	20	-
26GQ	0.394" (10.0mm)	0.177" (4.5mm)	-	20	20A
26CK	0.394" (10.0mm)	0.177" (4.5mm)	-	20	-
26CL	0.394" (10.0mm)	0.177" (4.5mm)	-	20	20A
26CP	0.394" (10.0mm)	0.177" (4.5mm)	-	20	20Q
26CQ	0.394" (10.0mm)	0.177" (4.5mm)	-	20	(I)-20Q, (I)-20A
26EV	0.394" (10.0mm)	0.177" (4.5mm)	-	22	-
26EW	0.394" (10.0mm)	0.177" (4.5mm)	-	22	20A
26HR	0.394" (10.0mm)	0.197" (5.0mm)	-	04	-
26HS	0.394" (10.0mm)	0.197" (5.0mm)	-	04	20A
26V	0.500" (12.7mm)	0.093" (2.4mm)	-	01	-
26W	0.500" (12.7mm)	0.093" (2.4mm)	-	01	20A
26BV	0.500" (12.7mm)	0.118" (3.0mm)	-	06	-
26BW	0.500" (12.7mm)	0.118" (3.0mm)	-	06	20A
26GM	0.500" (12.7mm)	0.118" (3.0mm)	-	20	-
26GN	0.500" (12.7mm)	0.118" (3.0mm)	-	20	20A
26BX	0.500" (12.7mm)	0.118" (3.0mm)	-	32	-
26BY	0.500" (12.7mm)	0.118" (3.0mm)	-	32	20A
26HK	0.500" (12.7mm)	0.118" (3.0mm)	-	32	-
26HL	0.500" (12.7mm)	0.118" (3.0mm)	-	32	20A
26CA	0.500" (12.7mm)	0.236" (6.0mm)	-	06	-
26CB	0.500" (12.7mm)	0.236" (6.0mm)	-	06	20A
26Ai	0.500" (12.7mm)	0.236" (6.0mm)	-	10	-
26AJ	0.500" (12.7mm)	0.236" (6.0mm)	-	10	20A
26Ci	0.500" (12.7mm)	0.236" (6.0mm)	0.025" (0.64mm)	10	-
26CJ	0.500" (12.7mm)	0.236" (6.0mm)	0.025" (0.64mm)	10	20A



*Diameter of plastic below felt reduced to 0.315" (8.0mm)

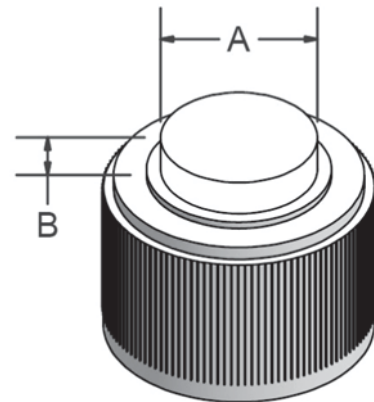
ROUND APPLICATORS



1624 South Eber Rd., Holland, Ohio 43528
 PHONE: 419.866.0700 FAX: 419.866.0767

PRODUCT

NUMBER	DIMENSION (A)		DIMENSION (B)		FLOW HOLE (C)	FELT TYPE	RESTRICTOR
51A K	0.591"	(15.0mm)	0.220"	(5.6mm)	-	07	-
51A L	0.591"	(15.0mm)	0.220"	(5.6mm)	-	07	20A
51C	0.625"	(15.9mm)	0.103"	(2.6mm)	-	03	-
51D	0.625"	(15.9mm)	0.103"	(2.6mm)	-	03	20A
51A R	0.625"	(15.9mm)	0.116"	(2.9mm)	-	06	-
51A S	0.625"	(15.9mm)	0.116"	(2.9mm)	-	06	20A
51K	0.625"	(15.9mm)	0.125"	(3.2mm)	-	03	-
51L	0.625"	(15.9mm)	0.125"	(3.2mm)	-	03	20A
51G	0.625"	(15.9mm)	0.197"	(5.0mm)	-	32	-
51H	0.625"	(15.9mm)	0.197"	(5.0mm)	-	32	20A
51A	0.625"	(15.9mm)	0.125"	(3.2mm)	-	06	-
51B	0.625"	(15.9mm)	0.125"	(3.2mm)	-	06	20A
51B A	0.625"	(15.9mm)	0.134"	(3.4mm)	-	01	-
51B B	0.625"	(15.9mm)	0.134"	(3.4mm)	-	01	20A
51B E	0.625"	(15.9mm)	0.138"	(3.5mm)	-	33	-
51B F	0.625"	(15.9mm)	0.138"	(3.5mm)	-	33	20A
51A P	0.625"	(15.9mm)	0.157"	(4.0mm)	-	32	20Q
51A Q	0.625"	(15.9mm)	0.157"	(4.0mm)	-	32	(1)-20Q, (1)-20A
51B G	0.625"	(15.9mm)	0.197"	(5.0mm)	-	04	-
51B H	0.625"	(15.9mm)	0.197"	(5.0mm)	-	04	20A
51A C	0.625"	(15.9mm)	0.256"	(6.5mm)	-	20	20Q
51A D	0.625"	(15.9mm)	0.256"	(6.5mm)	-	20	(1)-20Q, (1)-20E
51E	0.625"	(15.9mm)	0.295"	(7.5mm)	-	06	-
51F	0.625"	(15.9mm)	0.295"	(7.5mm)	-	06	20A
66A R	0.709"	(18.0mm)	0.125"	(3.2mm)	-	04	-
66A S	0.709"	(18.0mm)	0.125"	(3.2mm)	-	04	20A
66A	0.750"	(19.1mm)	0.125"	(3.2mm)	-	03	-
66B	0.750"	(19.1mm)	0.125"	(3.2mm)	-	03	20A
66G	0.750"	(19.1mm)	0.125"	(3.2mm)	-	03	20Q
66H	0.750"	(19.1mm)	0.125"	(3.2mm)	-	03	(1)-20A, (1)-20Q
66R	0.750"	(19.1mm)	0.125"	(3.2mm)	-	03	(2)-20A
66A E	0.750"	(19.1mm)	0.157"	(4.0mm)	-	32	20Q
66A F	0.750"	(19.1mm)	0.157"	(4.0mm)	-	32	(1)-20A, (1)-20Q
66T	0.750"	(19.1mm)	0.187"	(4.7mm)	-	32	-
66U	0.750"	(19.1mm)	0.187"	(4.7mm)	-	32	20A
66C	0.750"	(19.1mm)	0.313"	(8.0mm)	-	06	-
66D	0.750"	(19.1mm)	0.313"	(8.0mm)	-	06	20A
66A I*	0.750"	(19.1mm)	0.394"	(10.0mm)	0.030 (0.8mm)	72	-
66A J*	0.750"	(19.1mm)	0.394"	(10.0mm)	0.030 (0.8mm)	72	20A
66A M	0.750"	(19.1mm)	0.394"	(10.0mm)	0.030 (0.8mm)	72	-
66A N	0.750"	(19.1mm)	0.394"	(10.0mm)	0.030 (0.8mm)	72	20A
66A X	0.750"	(19.1mm)	0.394"	(10.0mm)	0.080 (2.0mm)	72	-
66A Y	0.750"	(19.1mm)	0.394"	(10.0mm)	0.080 (2.0mm)	72	20A
66B A *	0.750"	(19.1mm)	0.394"	(10.0mm)	0.080 (2.0mm)	72	-
66B B *	0.750"	(19.1mm)	0.394"	(10.0mm)	0.080 (2.0mm)	72	20A
66A K	0.750"	(19.1mm)	0.394"	(10.0mm)	-	72	20Q
66A L	0.750"	(19.1mm)	0.394"	(10.0mm)	-	72	(1)-20A, (1)-20Q
66E	0.750"	(19.1mm)	0.500"	(12.7mm)	-	10	-
66F	0.750"	(19.1mm)	0.500"	(12.7mm)	-	10	20A
40R	0.787"	(20.0mm)	0.098"	(2.5mm)	-	01	-
40S	0.787"	(20.0mm)	0.098"	(2.5mm)	-	01	20A
40P	0.787"	(20.0mm)	0.138"	(3.5mm)	-	06	-
40Q	0.787"	(20.0mm)	0.138"	(3.5mm)	-	06	20A
40T	0.787"	(20.0mm)	0.157"	(4.0mm)	-	01	-
40U	0.787"	(20.0mm)	0.157"	(4.0mm)	-	01	20A
40X	0.787"	(20.0mm)	0.177"	(4.5mm)	-	01	-
40Y	0.787"	(20.0mm)	0.177"	(4.5mm)	-	01	20A
79G	0.866"	(22.0mm)	0.138"	(3.5mm)	-	32	-
79H	0.866"	(22.0mm)	0.138"	(3.5mm)	-	32	20A
40E	1.000"	(25.4mm)	0.098"	(2.5mm)	-	17	-
40F	1.000"	(25.4mm)	0.098"	(2.5mm)	-	17	20A
40G	1.000"	(25.4mm)	0.098"	(2.5mm)	-	17	-
40H	1.000"	(25.4mm)	0.098"	(2.5mm)	-	17	20A
40M	1.000"	(25.4mm)	0.118"	(3.0mm)	-	06	-
40N	1.000"	(25.4mm)	0.118"	(3.0mm)	-	06	20A
40C	1.000"	(25.4mm)	0.197"	(5.0mm)	-	06	-
40D	1.000"	(25.4mm)	0.197"	(5.0mm)	-	06	20A
40i	1.000"	(25.4mm)	0.276"	(7.0mm)	-	06	-
40J	1.000"	(25.4mm)	0.276"	(7.0mm)	-	06	20A
40K	1.000"	(25.4mm)	0.125"	(3.2mm)	-	17	20Q
40L	1.000"	(25.4mm)	0.125"	(3.2mm)	-	17	(1)-20A, (1)-20Q



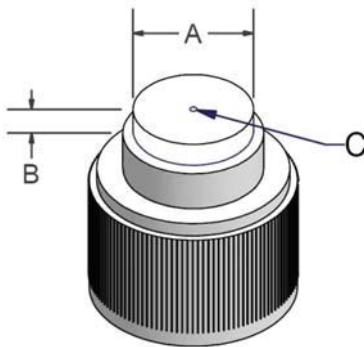
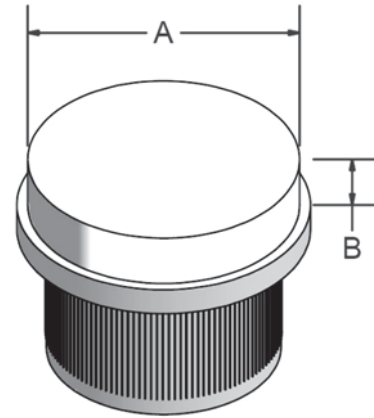
* Includes 14N Cap

ROUND APPLICATORS



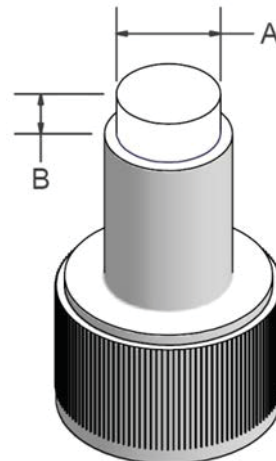
1624 South Eber Rd., Holland, Ohio 43528
 PHONE: 419.866.0700 FAX: 419.866.0767

PRODUCT NUMBER	DIMENSION (A)	DIMENSION (B)	FELT TYPE	RESTRICTOR
75A	1.250" (31.8mm)	0.208" (5.3mm)	06	-
75B	1.250" (31.8mm)	0.208" (5.3mm)	06	20A
75E	1.250" (31.8mm)	0.197" (5.0mm)	07	-
75F	1.250" (31.8mm)	0.197" (5.0mm)	07	20A
78C	1.375" (34.9mm)	0.125" (3.2mm)	23	-
78D	1.375" (34.9mm)	0.125" (3.2mm)	23	20A
78A	1.375" (34.9mm)	0.157" (4.0mm)	06	-
78B	1.375" (34.9mm)	0.157" (4.0mm)	06	20A
78E	1.375" (34.9mm)	0.197" (5.0mm)	23	-
78F	1.375" (34.9mm)	0.197" (5.0mm)	23	20A
72A	1.142" (29.0mm)	0.098" (2.5mm)	17	-
72C	1.142" (29.0mm)	0.098" (2.5mm)	17	-
72D	1.142" (29.0mm)	0.098" (2.5mm)	17	20A
72E	1.142" (29.0mm)	0.236" (6.0mm)	20	-
72F	1.142" (29.0mm)	0.236" (6.0mm)	20	20A
73E	1.500" (38.1mm)	0.217" (5.5mm)	06	-
73F	1.500" (38.1mm)	0.217" (5.5mm)	06	20A
73A	1.500" (38.1mm)	0.236" (6.0mm)	23	-
73B	1.500" (38.1mm)	0.236" (6.0mm)	23	20A



PRODUCT NUMBER	DIMENSION (A)	DIMENSION (B)	FLOW HOLE (C)	FELT TYPE	RESTRICTOR
26BG	0.500" (12.7mm)	0.093" (2.4mm)	-	01	-
26BH	0.500" (12.7mm)	0.093" (2.4mm)	-	01	20A
26Gi	0.500" (12.7mm)	0.118" (3.0mm)	-	07	-
26GJ	0.500" (12.7mm)	0.118" (3.0mm)	-	07	20A
26P	0.500" (12.7mm)	0.197" (5.0mm)	-	06	-
26Q	0.500" (12.7mm)	0.197" (5.0mm)	-	06	20A
51BP	0.539" (13.7mm)	0.157" (4.0mm)	-	72	-
51BQ	0.539" (13.7mm)	0.157" (4.0mm)	-	72	-
51BM	0.539" (13.7mm)	0.197" (5.0mm)	-	04	-
51BN	0.539" (13.7mm)	0.197" (5.0mm)	-	04	-
51i	0.625" (15.9mm)	0.125" (3.2mm)	-	06	-
51J	0.625" (15.9mm)	0.125" (3.2mm)	-	06	20A
51BI	0.625" (15.9mm)	0.125" (3.2mm)	-	06	20Q
51BJ	0.625" (15.9mm)	0.125" (3.2mm)	-	06	(I)-20A, (I)-20Q
51BK*	0.625" (15.9mm)	0.125" (3.2mm)	-	06	20Q
51BL*	0.625" (15.9mm)	0.125" (3.2mm)	-	06	(I)-20A, (I)-20Q
26CT	0.625" (15.9mm)	0.276" (7.0mm)	0.025" (0.64mm)	10	-
26CU	0.625" (15.9mm)	0.276" (7.0mm)	0.025" (0.64mm)	10	20A
40V	0.787" (20.0mm)	0.138" (3.5mm)	-	06	-
40W	0.787" (20.0mm)	0.138" (3.5mm)	-	06	20A

*Includes 14Q Cap



PRODUCT NUMBER	DIMENSION (A)	DIMENSION (B)	FELT TYPE	RESTRICTOR
26DK	0.394" (10.0mm)	0.098" (2.5mm)	32	-
26DL	0.394" (10.0mm)	0.098" (2.5mm)	32	20A
26CC	0.500" (12.7mm)	0.157" (4.0mm)	10	-
26CD	0.500" (12.7mm)	0.157" (4.0mm)	10	20A

ROUND APPLICATORS

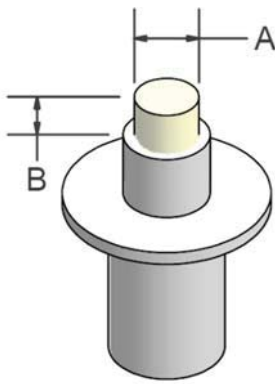
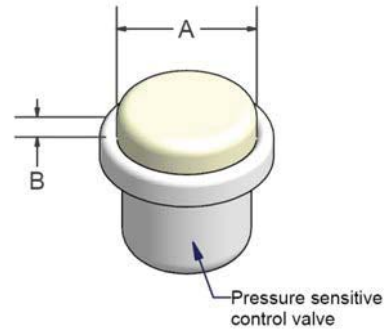


1624 South Eber Rd., Holland, Ohio 43528
 PHONE: 419.866.0700 FAX: 419.866.0767

PRODUCT NUMBER	DIMENSION (A)	DIMENSION (B)	PRIMING MATERIAL
65B*	0.394" (10.0mm)	0.079" (2.0mm)	MOHAIR
65A**	0.750" (19.1mm)	0.150" (3.8mm)	MOHAIR

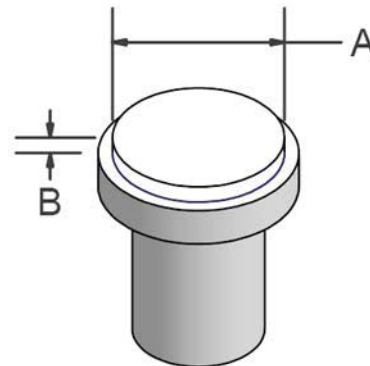
* Fits 65B Bottle Only

** Fits Bottles 21D & 21E Only



PRODUCT NUMBER	DIMENSION (A)	DIMENSION (B)	FLOW HOLE	FELT TYPE	RESTRICTOR
26BP	0.276" (7.0mm)	0.079" (2.0mm)	-	22	-
26BQ	0.276" (7.0mm)	0.079" (2.0mm)	-	22	20A
26CR	0.394" (10.0mm)	0.098" (2.5mm)	-	32	-
26CS	0.394" (10.0mm)	0.098" (2.5mm)	-	32	20A
26HE	0.472" (12.0mm)	0.093" (2.4mm)	0.040"	06	-
26HF	0.472" (12.0mm)	0.093" (2.4mm)	0.040"	06	20A
26HI	0.472" (12.0mm)	0.093" (2.4mm)	0.040"	06	-
26HJ	0.472" (12.0mm)	0.093" (2.4mm)	0.040"	06	20A
26BE	0.500" (12.7mm)	0.093" (2.4mm)	-	01	-
26BF	0.500" (12.7mm)	0.093" (2.4mm)	-	01	20A

PRODUCT NUMBER	DIMENSION (A)	DIMENSION (B)	FELT TYPE	RESTRICTOR
26EC	0.394" (10.0mm)	0.098" (2.5mm)	32	20D
51AX	0.531" (13.5mm)	0.098" (2.5mm)	04	-
51AY	0.531" (13.5mm)	0.098" (2.5mm)	04	20A
51AV	0.531" (13.5mm)	0.300" (7.6mm)	20	-
51AW	0.531" (13.5mm)	0.300" (7.6mm)	20	20A
51AT	0.591" (15.0mm)	0.220" (5.6mm)	20	-
51AU	0.591" (15.0mm)	0.220" (5.6mm)	20	20A
51AM	0.610" (15.5mm)	0.134" (3.4mm)	04	-
51AN	0.610" (15.5mm)	0.134" (3.4mm)	04	20A
51BR	0.610" (15.5mm)	0.134" (3.4mm)	32	-
51BS	0.610" (15.5mm)	0.134" (3.4mm)	32	20A
51AA	0.625" (15.9mm)	0.059" (1.5mm)	09	-
51AB	0.625" (15.9mm)	0.059" (1.5mm)	09	20A
51R	0.625" (15.9mm)	0.070" (1.8mm)	12	-
51S	0.625" (15.9mm)	0.070" (1.8mm)	12	20A
51M	0.625" (15.9mm)	0.125" (3.2mm)	03	-
51N	0.625" (15.9mm)	0.125" (3.2mm)	03	20A
51V	0.625" (15.9mm)	0.169" (4.3mm)	02	-
51W	0.625" (15.9mm)	0.169" (4.3mm)	02	20A
66AC	0.669" (17.0mm)	0.276" (7.0mm)	04	-
66AD	0.669" (17.0mm)	0.276" (7.0mm)	04	20A
66AG	0.709" (18.0mm)	0.125" (3.2mm)	04	-
66AH	0.709" (18.0mm)	0.125" (3.2mm)	04	20A
66AV	0.709" (18.0mm)	0.125" (3.2mm)	32	-
66AW	0.709" (18.0mm)	0.125" (3.2mm)	32	20A
66M	0.750" (19.1mm)	0.125" (3.2mm)	03	-
66N	0.750" (19.1mm)	0.125" (3.2mm)	03	20A
66V	0.750" (19.1mm)	0.190" (4.8mm)	02	-
66W	0.750" (19.1mm)	0.190" (4.8mm)	02	20A
79A	0.866" (22.0mm)	0.098" (2.5mm)	17	-
79B	0.866" (22.0mm)	0.098" (2.5mm)	17	20A
79C	0.866" (22.0mm)	0.138" (3.5mm)	05	-
79D	0.866" (22.0mm)	0.138" (3.5mm)	05	20A
79E	0.866" (22.0mm)	0.177" (4.5mm)	02	-
79F	0.866" (22.0mm)	0.177" (4.5mm)	02	20A
79I	0.866" (22.0mm)	0.236" (6.0mm)	20	-
79J	0.866" (22.0mm)	0.236" (6.0mm)	20	20A

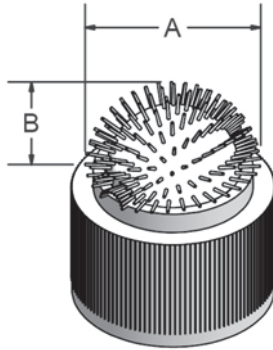
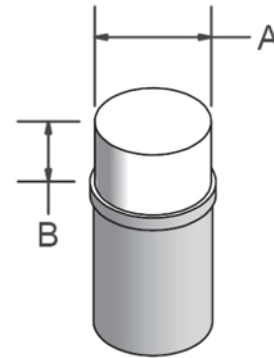


ROUND APPLICATORS

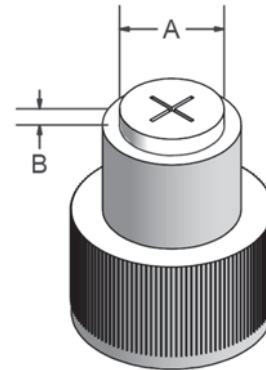


1624 South Eber Rd., Holland, Ohio 43528
 PHONE: 419.866.0700 FAX: 419.866.0767

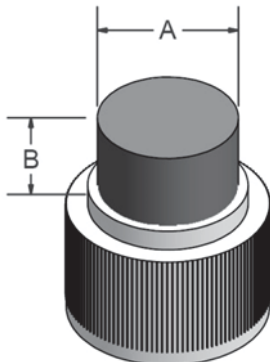
PRODUCT NUMBER	DIMENSION (A)	DIMENSION (B)	FELT TYPE	RESTRICTOR
26GT	0.320" (8.1mm)	0.125" (3.2mm)	20	-
26GU	0.320" (8.1mm)	0.125" (3.2mm)	20	20A
77E	0.472" (12.0mm)	0.123" (3.1mm)	17	-
77F	0.472" (12.0mm)	0.123" (3.1mm)	17	20A
77A	0.472" (12.0mm)	0.250" (6.4mm)	32	-
77B	0.472" (12.0mm)	0.250" (6.4mm)	32	20A
77C	0.472" (12.0mm)	0.300" (7.6mm)	20	-
77D	0.472" (12.0mm)	0.300" (7.6mm)	20	20A
51T	0.625" (15.9mm)	0.165" (4.2mm)	03	-
51U	0.625" (15.9mm)	0.165" (4.2mm)	03	20A
51X	0.669" (17.0mm)	0.236" (6.0mm)	32	-
51Y	0.669" (17.0mm)	0.236" (6.0mm)	32	20A
66X	0.708" (18.0mm)	0.125" (3.2mm)	13	-
66Y	0.708" (18.0mm)	0.125" (3.2mm)	13	20A
66AA	0.708" (18.0mm)	0.165" (4.2mm)	03	-
66AB	0.708" (18.0mm)	0.165" (4.2mm)	03	20A



PRODUCT NUMBER	DIMENSION (A)	DIMENSION (B)	MOHAIR TYPE	RESTRICTOR
66K	0.689" (17.5mm)	0.236" (6.0mm)	90	-
66L	0.689" (17.5mm)	0.236" (6.0mm)	90	20A
66i	0.750" (19.1mm)	0.125" (3.2mm)	90	-
66J	0.750" (19.1mm)	0.125" (3.2mm)	90	20A



PRODUCT NUMBER	DIMENSION (A)	DIMENSION (B)	FELT TYPE	RESTRICTOR
51P	0.563" (14.3mm)	0.118" (3.0mm)	4	-
51Q	0.563" (14.3mm)	0.118" (3.0mm)	4	20A



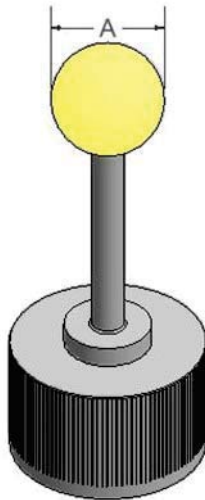
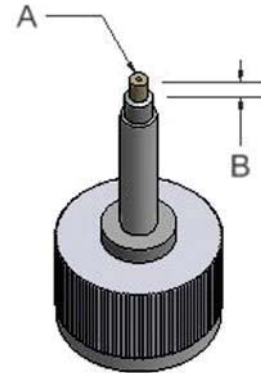
PRODUCT NUMBER	DIMENSION (A)	DIMENSION (B)	FOAM TYPE	RESTRICTOR
66P	0.750" (19.1mm)	0.394" (10.0mm)	72	-
66Q	0.750" (19.1mm)	0.394" (10.0mm)	72	20A

ROUND APPLICATORS



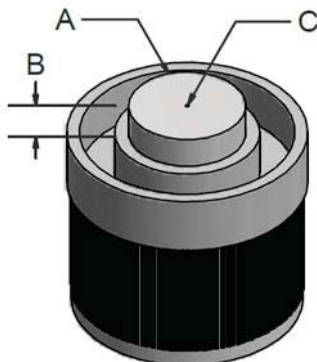
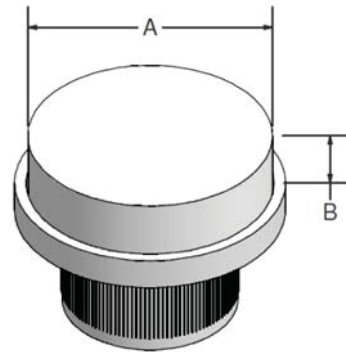
1624 South Eber Rd., Holland, Ohio 43528
 PHONE: 419.866.0700 FAX: 419.866.0767

PRODUCT		FELT		
NUMBER	DIMENSION (A)	DIMENSION (B)	TYPE	RESTRICTOR
81G	0.118" (3.0mm)	0.157" (4.0mm)	36	-
81H	0.118" (3.0mm)	0.157" (4.0mm)	36	20A



PRODUCT		MATERIAL	
NUMBER	DIMENSION (A)	RESTRICTOR	TYPE
81C	0.750" (19.1mm)	-	WOOL
81D	0.750" (19.1mm)	20A	WOOL

PRODUCT		FOAM		
NUMBER	DIMENSION (A)	DIMENSION (B)	TYPE	RESTRICTOR
73C	1.500" (38.1mm)	0.375" (9.5mm)	71	-
73D	1.500" (38.1mm)	0.375" (9.5mm)	71	20A



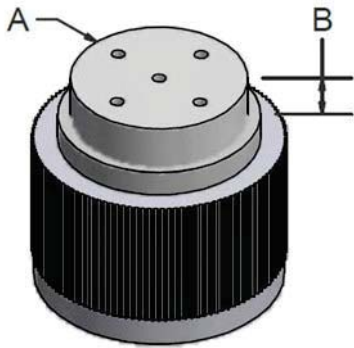
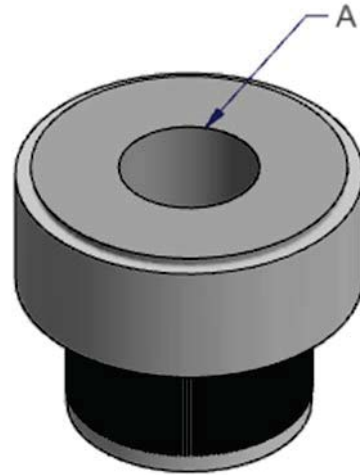
PRODUCT		FOAM			
NUMBER	DIMENSION (A)	DIMENSION (B)	FLOW HOLE (C)	FELT TYPE	RESTRICTOR
51AE	0.547" (13.9mm)	0.138" (3.5mm)	-	06	-
51AF	0.547" (13.9mm)	0.138" (3.5mm)	-	06	20A
51Ai	0.547" (13.9mm)	0.138" (3.5mm)	0.025" (0.64mm)	06	-
51AJ	0.547" (13.9mm)	0.138" (3.5mm)	0.025" (0.64mm)	06	20A

ROUND APPLICATORS



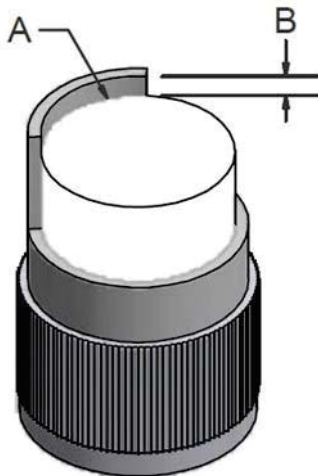
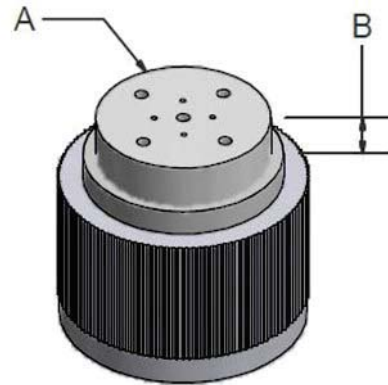
1624 South Eber Rd., Holland, Ohio 43528
 PHONE: 419.866.0700 FAX: 419.866.0767

PRODUCT NUMBER	DIMENSION (A)	FOAM TYPE	RESTRICTOR
86C	0.622" (15.8mm)	71	-
86D	0.622" (15.8mm)	71	20A



PRODUCT NUMBER	DIMENSION (A)	DIMENSION (B)	FELT TYPE	RESTRICTOR
66AP	0.750" (19.0mm)	0.177" (4.5mm)	32	-
66AQ	0.750" (19.0mm)	0.177" (4.5mm)	32	20A

PRODUCT NUMBER	DIMENSION (A)	DIMENSION (B)	FELT TYPE	RESTRICTOR
66AT	0.750" (19.0mm)	0.177" (4.5mm)	32	-
66AU	0.750" (19.0mm)	0.177" (4.5mm)	32	20A

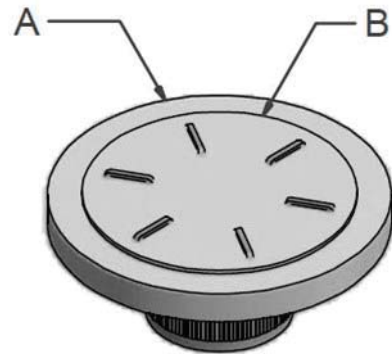


PRODUCT NUMBER	DIMENSION (A)	DIMENSION (B)	FELT TYPE	RESTRICTOR
79K	0.866" (22.0mm)	0.105" (3.0mm)	10	20Q
79L	0.866" (22.0mm)	0.105" (3.0mm)	10	(1)-20Q, (1)-20A

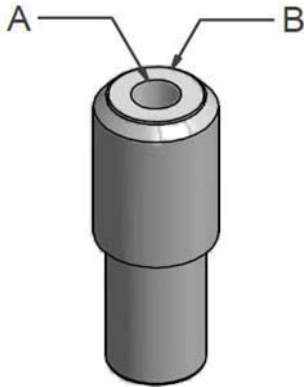
ROUND APPLICATORS



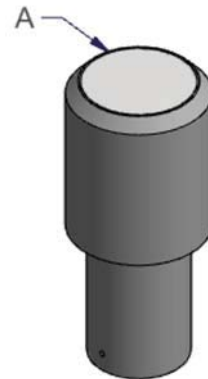
1624 South Eber Rd., Holland, Ohio 43528
 PHONE: 419.866.0700 FAX: 419.866.0767



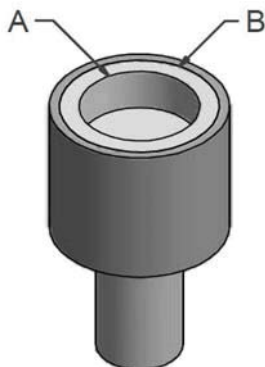
PRODUCT NUMBER	DIMENSION (A)	DIMENSION (B)	FELT TYPE	RESTRICTOR
86A	2.500" (63.5mm)	2.000" (50.8mm)	32	-
86B	2.500" (63.5mm)	2.000" (50.8mm)	32	20A



PRODUCT NUMBER	DIMENSION (A)	DIMENSION (B)	FOAM TYPE	RESTRICTOR
26EP	0.250" (6.4mm)	0.472" (12.0mm)	70 & 71	-
26EQ	0.250" (6.4mm)	0.472" (12.0mm)	70 & 71	20A
26GA	0.250" (6.4mm)	0.563" (14.3mm)	70 & 71	-
26ER	0.330" (8.4mm)	0.563" (14.3mm)	70 & 71	-
26ES	0.330" (8.4mm)	0.563" (14.3mm)	70 & 71	20A
26GE	0.354" (9.0mm)	0.709" (18.0mm)	70 & 71	-
26ET	0.450" (11.4mm)	0.672" (17.1mm)	70 & 71	-
26EU	0.450" (11.4mm)	0.672" (17.1mm)	70 & 71	20A



PRODUCT NUMBER	DIMENSION (A)	FOAM TYPE	RESTRICTOR
26GG	0.563" (14.3mm)	70 & 71	-

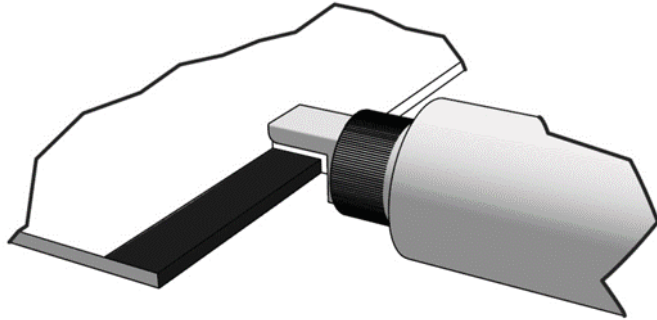


PRODUCT NUMBER	DIMENSION (A)	DIMENSION (B)	FOAM TYPE	RESTRICTOR
51AG	0.682" (17.3mm)	0.904" (23.0mm)	70 & 71	-
51AH	0.682" (17.3mm)	0.904" (23.0mm)	70 & 71	20A

WRAPAROUND APPLICATORS

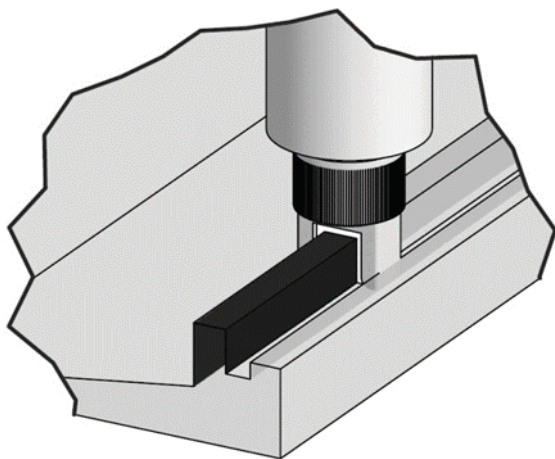
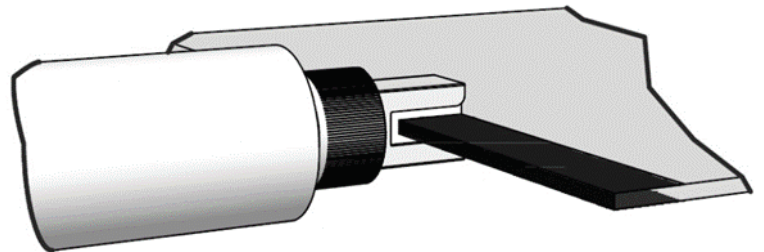


1624 South Eber Rd., Holland, Ohio 43528
PHONE: 419.866.0700 FAX: 419.866.0767



For multi-surface applications, the Designnetics Wraparound Applicators provide crisp demarcation and precise repeatability for coating one or two sides and an edge with a single pass.

Many standard Wraparound Applicators are available to meet a broad range of coating widths and fluid viscosities.



Special Wraparound Applicators are available that meet specific needs for specialized applications.

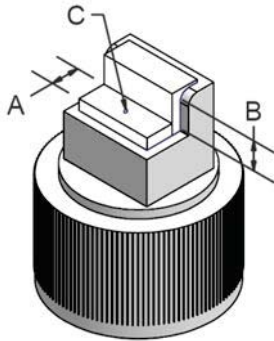
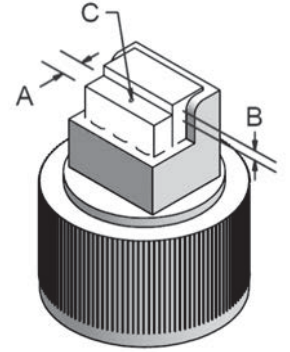
WRAPAROUND APPLICATORS



1624 South Eber Rd., Holland, Ohio 43528
 PHONE: 419.866.0700 FAX: 419.866.0767

PRODUCT

NUMBER	DIMENSION (A)	DIMENSION (B)	FLOW HOLE (C)	FELT TYPE	RESTRICTOR
11BK	0.118" (3.0mm)	0.118" (3.0mm)	-	02 & 09	20Q
11BL	0.118" (3.0mm)	0.118" (3.0mm)	-	02 & 09	(1)-20Q, (1)-20A
11K	0.125" (3.2mm)	0.062" (1.6mm)	0.030" (0.8mm)	02 & 12	-
11L	0.125" (3.2mm)	0.062" (1.6mm)	0.030" (0.8mm)	02 & 12	20A
11T	0.125" (3.2mm)	0.062" (1.6mm)	0.060" (1.5mm)	02 & 12	-
11U	0.125" (3.2mm)	0.062" (1.6mm)	0.060" (1.5mm)	02 & 12	20A
11BP	0.125" (3.2mm)	0.079" (2.0mm)	-	09 & 20	-
11BQ	0.125" (3.2mm)	0.079" (2.0mm)	-	09 & 20	20A
11BC	0.125" (3.2mm)	0.118" (3.0mm)	-	05 & 09	-
11BD	0.125" (3.2mm)	0.118" (3.0mm)	-	05 & 09	20A
11E	0.125" (3.2mm)	0.125" (3.2mm)	-	02 & 09	-
11F	0.125" (3.2mm)	0.125" (3.2mm)	-	02 & 09	20A
11i	0.125" (3.2mm)	0.125" (3.2mm)	0.040" (1.0mm)	02 & 09	-
11J	0.125" (3.2mm)	0.125" (3.2mm)	0.040" (1.0mm)	02 & 09	20A
11AE	0.125" (3.2mm)	0.197" (5.0mm)	-	02 & 12	(1)-20A, (1)-20D, (1)-20Q



PRODUCT

NUMBER	DIMENSION (A)	DIMENSION (B)	FLOW HOLE (C)	FELT TYPE	RESTRICTOR
11AG	0.110" (2.8mm)	0.375" (9.5mm)	0.035" (0.9mm)	02 & 09	-
11AH	0.110" (2.8mm)	0.375" (9.5mm)	0.035" (0.9mm)	02 & 09	20A
11BT	0.125" (3.2mm)	0.079" (2.0mm)	-	04 & 09	-
11BU	0.125" (3.2mm)	0.079" (2.0mm)	-	04 & 09	20A
11BM	0.188" (4.8mm)	0.059" (1.5mm)	-	5	-
11BN	0.188" (4.8mm)	0.059" (1.5mm)	-	5	20A
11BA	0.188" (4.8mm)	0.148" (3.8mm)	-	5	-
11BB	0.188" (4.8mm)	0.148" (3.8mm)	-	5	20A
11G	0.188" (4.8mm)	0.188" (4.8mm)	-	5	-
11H	0.188" (4.8mm)	0.188" (4.8mm)	-	5	20A
11P	0.188" (4.8mm)	0.188" (4.8mm)	0.035" (0.9mm)	5	-

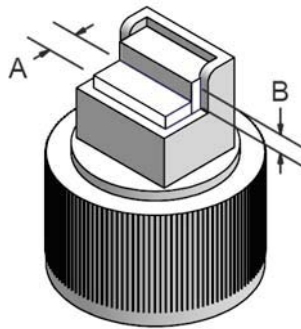
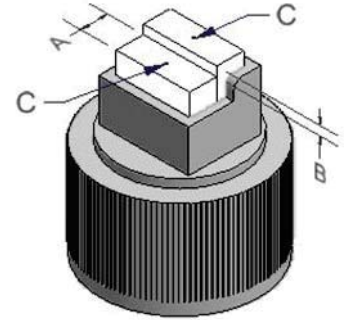
WRAPAROUND APPLICATORS



1624 South Eber Rd., Holland, Ohio 43528
 PHONE: 419.866.0700 FAX: 419.866.0767

PRODUCT

NUMBER	DIMENSION (A)	DIMENSION (B)	FLOW HOLE (C)	FELT TYPE	RESTRICTOR
11M	0.188" (4.8mm)	0.093" (2.4mm)	- -	05	-
11N	0.188" (4.8mm)	0.093" (2.4mm)	- -	05	20A
11A	0.188" (4.8mm)	0.125" (3.2mm)	- -	08	-
11B	0.188" (4.8mm)	0.125" (3.2mm)	- -	08	20A
11C	0.188" (4.8mm)	0.250" (6.4mm)	- -	08	-
11D	0.188" (4.8mm)	0.250" (6.4mm)	- -	08	20A
55A	0.197" (5.0mm)	0.188" (4.8mm)	- -	16	-
55B	0.197" (5.0mm)	0.188" (4.8mm)	- -	16	20A
13G	0.197" (5.0mm)	0.118" (3.0mm)	0.025" (0.6mm)	16	-
13H	0.197" (5.0mm)	0.118" (3.0mm)	0.025" (0.6mm)	16	20A
13A	0.197" (5.0mm)	0.125" (3.2mm)	- -	16	-
13B	0.197" (5.0mm)	0.125" (3.2mm)	- -	16	20A
13C	0.197" (5.0mm)	0.125" (3.2mm)	- -	08	-
13D	0.197" (5.0mm)	0.125" (3.2mm)	- -	08	20A
13E	0.197" (5.0mm)	0.125" (3.2mm)	- -	05	-
13F	0.197" (5.0mm)	0.125" (3.2mm)	- -	05	20A

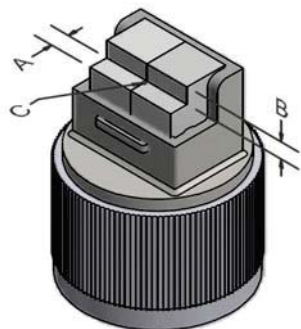
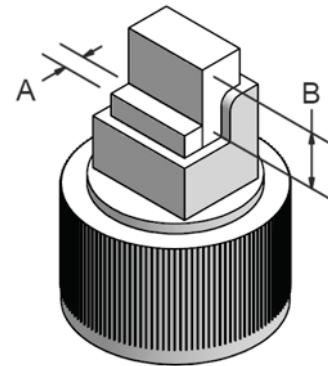


PRODUCT

NUMBER	DIMENSION (A)	DIMENSION (B)	FELT TYPE	RESTRICTOR
11AR	0.197" (5.0mm)	0.134" (3.4mm)	5	-
11AS	0.197" (5.0mm)	0.134" (3.4mm)	5	20A

PRODUCT

NUMBER	DIMENSION (A)	DIMENSION (B)	FELT TYPE	RESTRICTOR
11AP	0.125" (3.2mm)	0.295" (7.5mm)	04 & 09	-
11AQ	0.125" (3.2mm)	0.295" (7.5mm)	04 & 09	20A
11CA	0.125" (3.2mm)	0.295" (7.5mm)	04 & 09	20Q
11CB	0.125" (3.2mm)	0.295" (7.5mm)	04 & 09 (1)-20Q, (1)-20A	
11AX	0.197" (5.0mm)	0.197" (5.0mm)	16	-
11AY	0.197" (5.0mm)	0.197" (5.0mm)	16	20A
11AT	0.197" (5.0mm)	0.250" (6.4mm)	5	-
11AU	0.197" (5.0mm)	0.250" (6.4mm)	5	20A



PRODUCT

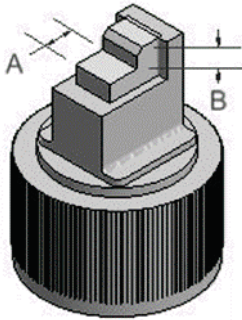
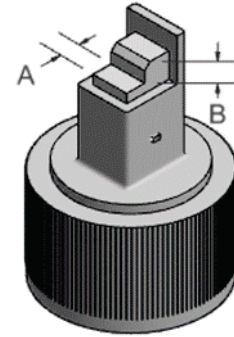
NUMBER	DIMENSION (A)	DIMENSION (B)	FLOW HOLE (C)	FELT TYPE	RESTRICTOR
11BV	0.118" (3.0mm)	0.108" (2.7mm)	0.020" (0.5mm)	20	-
11BW	0.118" (3.0mm)	0.108" (2.7mm)	0.020" (0.5mm)	20	20A

WRAPAROUND APPLICATORS



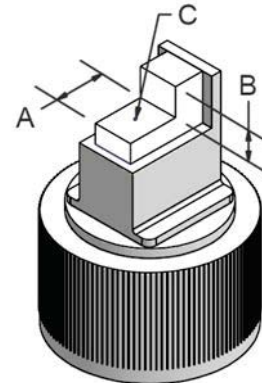
1624 South Eber Rd., Holland, Ohio 43528
 PHONE: 419.866.0700 FAX: 419.866.0767

PRODUCT NUMBER	DIMENSION		FELT	
	(A)	(B)	TYPE	RESTRICTOR
46CR	0.157" (4.0mm)	0.118" (3.0mm)	04	-
46CS	0.157" (4.0mm)	0.118" (3.0mm)	04	20A
46CV	0.197" (5.0mm)	0.118" (3.0mm)	04	-
46CW	0.197" (5.0mm)	0.118" (3.0mm)	04	20A



PRODUCT NUMBER	DIMENSION		FELT	
	(A)	(B)	TYPE	RESTRICTOR
23ER	0.197" (5.0mm)	0.118" (3.0mm)	04	-
23ES	0.197" (5.0mm)	0.118" (3.0mm)	04	20A

PRODUCT NUMBER	DIMENSION		FLOW HOLE (C)	FELT	
	(A)	(B)		TYPE	RESTRICTOR
46G	0.197" (5.0mm)	0.125" (3.2mm)	-	01	-
46H	0.197" (5.0mm)	0.125" (3.2mm)	-	01	20A
46T	0.197" (5.0mm)	0.125" (3.2mm)	0.025" (0.6mm)	01	-
46U	0.197" (5.0mm)	0.125" (3.2mm)	0.025" (0.6mm)	01	20A
46V	0.197" (5.0mm)	0.125" (3.2mm)	-	20	-
46W	0.197" (5.0mm)	0.125" (3.2mm)	-	20	20A
23BM	0.236" (6.0mm)	0.125" (3.2mm)	-	01	-
23BN	0.236" (6.0mm)	0.125" (3.2mm)	-	01	20A
23CM	0.253" (6.4mm)	0.188" (4.8mm)	-	01	-
23CN	0.253" (6.4mm)	0.188" (4.8mm)	-	01	20A
23BP	0.313" (8.0mm)	0.125" (3.2mm)	-	20	-
23BQ	0.313" (8.0mm)	0.125" (3.2mm)	-	20	20A
23V	0.313" (8.0mm)	0.125" (3.2mm)	-	01	-
23W	0.313" (8.0mm)	0.125" (3.2mm)	-	01	20A
23AC	0.313" (8.0mm)	0.125" (3.2mm)	-	04	-
23AD	0.313" (8.0mm)	0.125" (3.2mm)	-	04	20A
23AK	0.313" (8.0mm)	0.125" (3.2mm)	0.060" (1.5mm)	04	-
23AL	0.313" (8.0mm)	0.125" (3.2mm)	0.060" (1.5mm)	04	20A
47AT	0.357" (9.1mm)	0.157" (4.0mm)	-	01	-
47AU	0.357" (9.1mm)	0.157" (4.0mm)	-	01	20A
47G	0.437" (11.1mm)	0.125" (3.2mm)	-	01	-
47H	0.437" (11.1mm)	0.125" (3.2mm)	-	01	20A
47K	0.437" (11.1mm)	0.125" (3.2mm)	-	04	-
47L	0.437" (11.1mm)	0.125" (3.2mm)	-	04	20A
44AC	0.563" (14.3mm)	0.125" (3.2mm)	-	01	-
44AD	0.563" (14.3mm)	0.125" (3.2mm)	-	01	20A

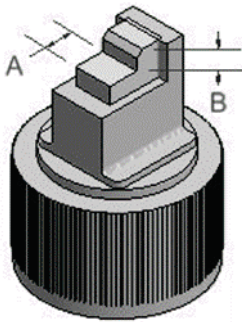
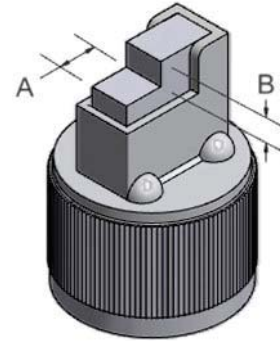


WRAPAROUND APPLICATORS



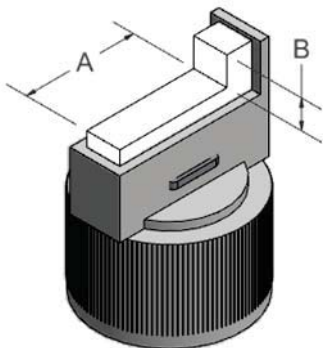
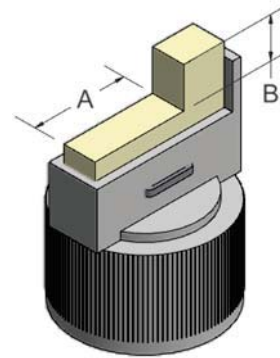
1624 South Eber Rd., Holland, Ohio 43528
 PHONE: 419.866.0700 FAX: 419.866.0767

PRODUCT NUMBER	DIMENSION (A)	DIMENSION (B)	FELT TYPE	RESTRICTOR
47BP	0.250" (6.4mm)	0.159" (4.0mm)	27	-
47BQ	0.250" (6.4mm)	0.159" (4.0mm)	27	20A



PRODUCT NUMBER	DIMENSION (A)	DIMENSION (B)	FELT TYPE	RESTRICTOR
47T	0.312" (7.9mm)	0.188" (4.8mm)	20	-
47U	0.312" (7.9mm)	0.188" (4.8mm)	20	20A
47AA	0.312" (7.9mm)	0.188" (4.8mm)	27	-
47AB	0.312" (7.9mm)	0.188" (4.8mm)	27	20A
47AK	0.312" (7.9mm)	0.312" (7.9mm)	20	20P
47AL	0.312" (7.9mm)	0.312" (7.9mm)	20	(1)-20P, (1)-20A

PRODUCT NUMBER	DIMENSION (A)	DIMENSION (B)	FELT TYPE	RESTRICTOR
32P	0.688" (17.5mm)	0.313" (8.0mm)	07	-
32Q	0.688" (17.5mm)	0.313" (8.0mm)	07	20A



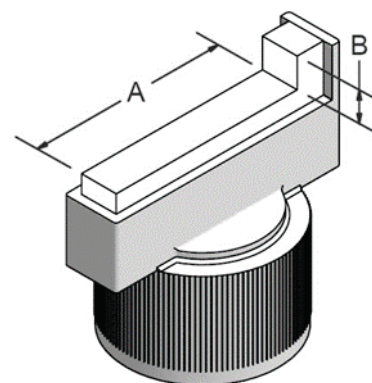
PRODUCT NUMBER	DIMENSION (A)	DIMENSION (B)	FELT TYPE	RESTRICTOR
32AM	0.787" (20.0mm)	0.188" (4.8mm)	01	-
32AN	0.787" (20.0mm)	0.188" (4.8mm)	01	20A
32DT	0.787" (20.0mm)	0.188" (4.8mm)	01	20Q
32DU	0.787" (20.0mm)	0.188" (4.8mm)	01	(1)-20Q, (1)-20A
32DP	0.787" (20.0mm)	0.188" (4.8mm)	04	-
32DQ	0.787" (20.0mm)	0.188" (4.8mm)	04	20A
32G	0.875" (22.2mm)	0.125" (3.2mm)	01	-
32H	0.875" (22.2mm)	0.125" (3.2mm)	01	20A
32K	0.875" (22.2mm)	0.125" (3.2mm)	04	-
32L	0.875" (22.2mm)	0.125" (3.2mm)	04	20A

WRAPAROUND APPLICATORS



1624 South Eber Rd., Holland, Ohio 43528
 PHONE: 419.866.0700 FAX: 419.866.0767

PRODUCT NUMBER	DIMENSION (A)		DIMENSION (B)		FELT TYPE	RESTRICTOR
27G	1.063"	(27.0mm)	0.125"	(3.2mm)	01	-
27H	1.063"	(27.0mm)	0.125"	(3.2mm)	01	20A
27CP	1.063"	(27.0mm)	0.125"	(3.2mm)	01	20Q
27CQ	1.063"	(27.0mm)	0.125"	(3.2mm)	01	(1)-20Q, (1)-20A
27Ci	1.063"	(27.0mm)	0.188"	(4.8mm)	04	-
27CJ	1.063"	(27.0mm)	0.188"	(4.8mm)	04	20A
27CE	1.063"	(27.0mm)	0.188"	(4.8mm)	20	-
27CF	1.063"	(27.0mm)	0.188"	(4.8mm)	20	20A
27AT	1.063"	(27.0mm)	0.384"	(9.8mm)	01	-
27AU	1.063"	(27.0mm)	0.384"	(9.8mm)	01	20A
38M	1.311"	(33.3mm)	0.125"	(3.2mm)	04	-
38N	1.311"	(33.3mm)	0.125"	(3.2mm)	04	20A
38G	1.375"	(34.9mm)	0.125"	(3.2mm)	01	-
38H	1.375"	(34.9mm)	0.125"	(3.2mm)	01	20A
38BK	1.398"	(35.5mm)	0.118"	(3.0mm)	01 & 04	-
38BL	1.398"	(35.5mm)	0.118"	(3.0mm)	01 & 04	20A
49G	1.625"	(41.3mm)	0.125"	(3.2mm)	01	-
49H	1.625"	(41.3mm)	0.125"	(3.2mm)	01	20A
49X	1.625"	(41.3mm)	0.125"	(3.2mm)	01	20Q
49Y	1.625"	(41.3mm)	0.125"	(3.2mm)	01	(1)-20Q, (1)-20A
49i	1.625"	(41.3mm)	0.125"	(3.2mm)	04	-
49J	1.625"	(41.3mm)	0.125"	(3.2mm)	04	20A
58G	1.875"	(47.6mm)	0.234"	(5.9mm)	01	-
58H	1.875"	(47.6mm)	0.234"	(5.9mm)	01	20A
58T	1.875"	(47.6mm)	0.234"	(5.9mm)	01	-
58U	1.875"	(47.6mm)	0.234"	(5.9mm)	01	20A
58GF	1.875"	(47.6mm)	0.236"	(6.0mm)	01	-
53G	2.125"	(54.0mm)	0.125"	(3.2mm)	01	-
53H	2.125"	(54.0mm)	0.125"	(3.2mm)	01	20A
53R	2.125"	(54.0mm)	0.125"	(3.2mm)	01	20Q
53S	2.125"	(54.0mm)	0.125"	(3.2mm)	01	(1)-20Q, (1)-20A
53P	2.125"	(54.0mm)	0.188"	(4.8mm)	04	-
53Q	2.125"	(54.0mm)	0.188"	(4.8mm)	04	20A
57G	2.375"	(60.3mm)	0.125"	(3.2mm)	01	-
57H	2.375"	(60.3mm)	0.125"	(3.2mm)	01	20A
56G*	2.687"	(68.2mm)	0.234"	(5.9mm)	01	-
56H*	2.687"	(68.2mm)	0.234"	(5.9mm)	01	20A



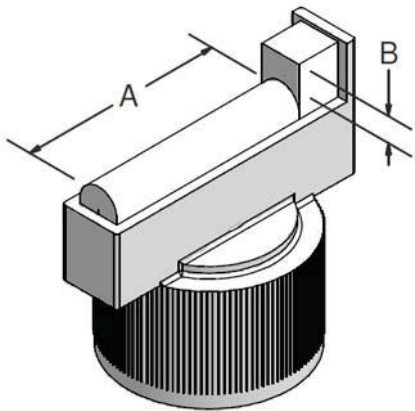
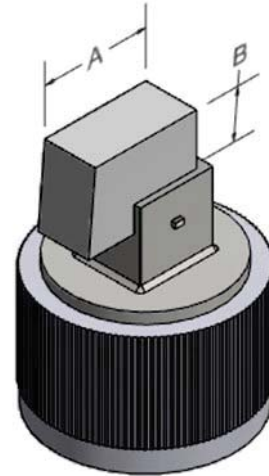
*Guide length is 0.460"

WRAPAROUND APPLICATORS



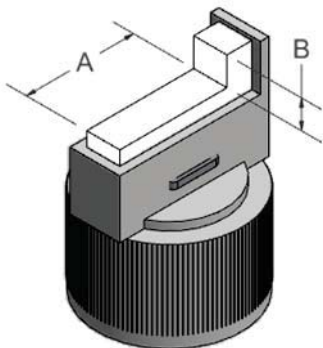
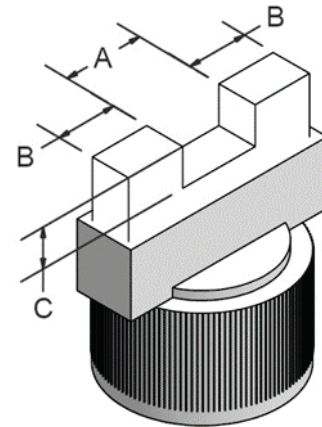
1624 South Eber Rd., Holland, Ohio 43528
 PHONE: 419.866.0700 FAX: 419.866.0767

PRODUCT NUMBER	DIMENSION (A)	DIMENSION (B)	FELT TYPE	RESTRICTOR
23HT	0.600" (15.2mm)	0.308" (7.8mm)	20	-
23HU	0.600" (15.2mm)	0.308" (7.8mm)	20	20A



PRODUCT NUMBER	DIMENSION (A)	DIMENSION (B)	FELT TYPE	FOAM TYPE	RESTRICTOR
38AG	1.240" (31.5mm)	0.138" (3.5mm)	04	70	-
38AH	1.240" (31.5mm)	0.138" (3.5mm)	04	70	20A

PRODUCT NUMBER	DIMENSION (A)	DIMENSION (B)	DIMENSION (C)	FELT TYPE	RESTRICTOR
27EA	0.196" (5.0mm)	0.472" (12.0mm)	0.250" (6.4mm)	04	-
27EB	0.196" (5.0mm)	0.472" (12.0mm)	0.250" (6.4mm)	04	20A
27Ai	0.500" (12.7mm)	0.375" (9.5mm)	0.250" (6.4mm)	01	-
27Aj	0.500" (12.7mm)	0.375" (9.5mm)	0.250" (6.4mm)	01	20A



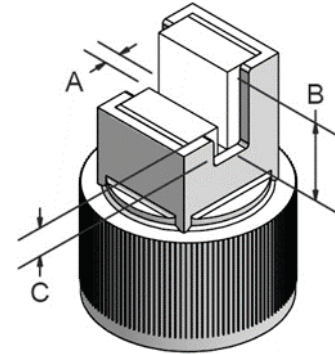
PRODUCT NUMBER	DIMENSION (A)	DIMENSION (B)	FELT TYPE	RESTRICTOR
32FV	0.118" (3.0mm)	0.118" (3.0mm)	27	-
32FW	0.118" (3.0mm)	0.118" (3.0mm)	27	20A
32FX	0.118" (3.0mm)	0.375" (9.5mm)	27	-
32FY	0.118" (3.0mm)	0.375" (9.5mm)	27	20A
32DR	0.472" (12.0mm)	0.472" (12.0mm)	04	-
32DS	0.472" (12.0mm)	0.472" (12.0mm)	04	20A

WRAPAROUND APPLICATORS

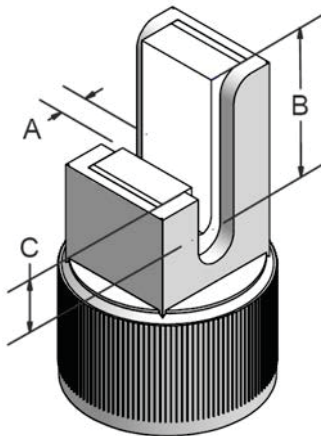


1624 South Eber Rd., Holland, Ohio 43528
 PHONE: 419.866.0700 FAX: 419.866.0767

PRODUCT NUMBER	DIMENSION (A)		DIMENSION (B)		DIMENSION (C)		FELT	
							TYPE	RESTRICTOR
39C	0.118"	(3.0mm)	0.375"	(9.5mm)	0.118"	(3.0mm)	02	-
39D	0.118"	(3.0mm)	0.375"	(9.5mm)	0.118"	(3.0mm)	02	20A
28i	0.118"	(3.0mm)	0.500"	(12.7mm)	0.177"	(4.5mm)	04	-
28J	0.118"	(3.0mm)	0.500"	(12.7mm)	0.177"	(4.5mm)	04	20A



PRODUCT NUMBER	DIMENSION (A)		DIMENSION (B)		DIMENSION (C)		FELT	
							TYPE	RESTRICTOR
24A	0.118"	(3.0mm)	0.500"	(12.7mm)	0.375"	(9.5mm)	16	-
24B	0.118"	(3.0mm)	0.500"	(12.7mm)	0.375"	(9.5mm)	16	20A
17C	0.118"	(3.0mm)	0.709"	(18.0mm)	0.240"	(6.1mm)	2	-
17D	0.118"	(3.0mm)	0.709"	(18.0mm)	0.240"	(6.1mm)	2	20A
30A	0.118"	(3.0mm)	0.500"	(12.7mm)	0.250"	(6.4mm)	16	-
30B	0.118"	(3.0mm)	0.500"	(12.7mm)	0.250"	(6.4mm)	16	20A
59A	0.125"	(3.2mm)	0.312"	(7.9mm)	0.157"	(4.0mm)	2	-
59B	0.125"	(3.2mm)	0.312"	(7.9mm)	0.157"	(4.0mm)	2	20A
28A	0.125"	(3.2mm)	0.500"	(12.7mm)	0.188"	(4.8mm)	2	-
28B	0.125"	(3.2mm)	0.500"	(12.7mm)	0.188"	(4.8mm)	2	20A
16K	0.156"	(4.0mm)	0.787"	(20.0mm)	0.313"	(8.0mm)	2	-
16L	0.156"	(4.0mm)	0.787"	(20.0mm)	0.313"	(8.0mm)	2	20A
16T	0.156"	(4.0mm)	0.945"	(24.0mm)	0.313"	(8.0mm)	2	-
16U	0.156"	(4.0mm)	0.945"	(24.0mm)	0.313"	(8.0mm)	2	20A
64C	0.188"	(4.8mm)	0.562"	(14.3mm)	0.190"	(4.8mm)	16	-
64D	0.188"	(4.8mm)	0.562"	(14.3mm)	0.190"	(4.8mm)	16	20A
64A	0.188"	(4.8mm)	0.562"	(14.3mm)	0.375"	(9.5mm)	16	-
64B	0.188"	(4.8mm)	0.562"	(14.3mm)	0.375"	(9.5mm)	16	20A
19A	0.197"	(5.0mm)	0.591"	(15.0mm)	0.375"	(9.5mm)	2	-
19B	0.197"	(5.0mm)	0.591"	(15.0mm)	0.375"	(9.5mm)	2	20A
39E	0.216"	(5.5mm)	0.487"	(12.4mm)	0.291"	(7.4mm)	3	-
39F	0.216"	(5.5mm)	0.487"	(12.4mm)	0.291"	(7.4mm)	3	20A
80K	0.256"	(6.5mm)	0.709"	(18.0mm)	0.236"	(6.0mm)	3	-
80L	0.256"	(6.5mm)	0.709"	(18.0mm)	0.236"	(6.0mm)	3	20A
16E	0.276"	(7.0mm)	0.866"	(22.0mm)	0.313"	(8.0mm)	2	-
16F	0.276"	(7.0mm)	0.866"	(22.0mm)	0.313"	(8.0mm)	2	20A

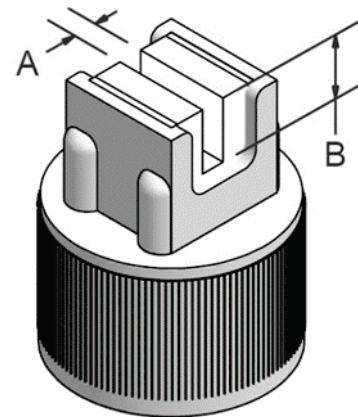


WRAPAROUND APPLICATORS



1624 South Eber Rd., Holland, Ohio 43528
 PHONE: 419.866.0700 FAX: 419.866.0767

PRODUCT NUMBER	DIMENSION (A)	DIMENSION (B)	FELT TYPE	RESTRICTOR
39A	0.118" (3.0mm)	0.472" (12.0mm)	16	-
39B	0.118" (3.0mm)	0.472" (12.0mm)	16	20A
12i	0.125" (3.2mm)	0.125" (3.2mm)	02 & 51	-
12J	0.125" (3.2mm)	0.125" (3.2mm)	02 & 51	20A
12K	0.125" (3.2mm)	0.125" (3.2mm)	02 & 09	-
12L	0.125" (3.2mm)	0.125" (3.2mm)	02 & 09	20A
12M	0.125" (3.2mm)	0.157" (4.0mm)	02 & 51	-
12N	0.125" (3.2mm)	0.157" (4.0mm)	02 & 51	20A
12E	0.125" (3.2mm)	0.188" (4.8mm)	02 & 51	-
12F	0.125" (3.2mm)	0.188" (4.8mm)	02 & 51	20A
12R	0.125" (3.2mm)	0.188" (4.8mm)	16 & 51	-
12S	0.125" (3.2mm)	0.188" (4.8mm)	16 & 51	20A
12P	0.125" (3.2mm)	0.250" (6.4mm)	02 & 51	-
12Q	0.125" (3.2mm)	0.250" (6.4mm)	02 & 51	20A
36A	0.125" (3.2mm)	0.281" (7.1mm)	02	-
36B	0.125" (3.2mm)	0.281" (7.1mm)	02	20A
12A	0.125" (3.2mm)	0.312" (7.9mm)	02	-
12B	0.125" (3.2mm)	0.312" (7.9mm)	02	20A
12G	0.125" (3.2mm)	0.354" (9.0mm)	02 & 51	-
12H	0.125" (3.2mm)	0.354" (9.0mm)	02 & 51	20A
71A	0.156" (4.0mm)	0.313" (8.0mm)	05	-
71B	0.156" (4.0mm)	0.313" (8.0mm)	05	20A
54K	0.197" (5.0mm)	0.156" (4.0mm)	02 & 08	-
54L	0.197" (5.0mm)	0.156" (4.0mm)	02 & 08	20A
54C	0.197" (5.0mm)	0.250" (6.4mm)	02 & 05	-
54D	0.197" (5.0mm)	0.250" (6.4mm)	02 & 05	20A
54A	0.197" (5.0mm)	0.313" (8.0mm)	05	-
54B	0.197" (5.0mm)	0.313" (8.0mm)	05	20A
54E	0.197" (5.0mm)	0.313" (8.0mm)	16 & 05	-
54F	0.197" (5.0mm)	0.313" (8.0mm)	16 & 05	20A
48C	0.197" (5.0mm)	0.394" (10.0mm)	02 & 05	-
48D	0.197" (5.0mm)	0.394" (10.0mm)	02 & 05	20A
48A	0.197" (5.0mm)	0.468" (11.9mm)	16	-
48B	0.197" (5.0mm)	0.468" (11.9mm)	16	20A
54i	0.256" (6.5mm)	0.313" (8.0mm)	05	-
54J	0.256" (6.5mm)	0.313" (8.0mm)	05	20A

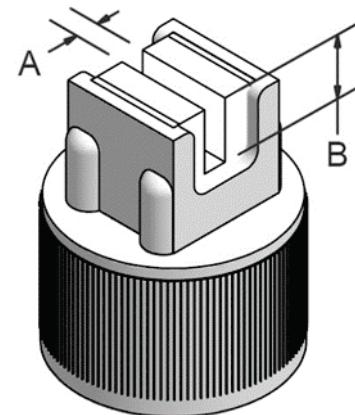


WRAPAROUND APPLICATORS



1624 South Eber Rd., Holland, Ohio 43528
 PHONE: 419.866.0700 FAX: 419.866.0767

PRODUCT NUMBER	DIMENSION		FELT	
	(A)	(B)	TYPE	RESTRICTOR
18A	0.118" (3.0mm)	0.593" (15.1mm)	02	-
18B	0.118" (3.0mm)	0.593" (15.1mm)	02	20A
17A	0.118" (3.0mm)	0.709" (18.0mm)	02	-
17B	0.118" (3.0mm)	0.709" (18.0mm)	02	20A
16i	0.118" (3.0mm)	0.945" (24.0mm)	02	-
16j	0.118" (3.0mm)	0.945" (24.0mm)	02	20A
16M	0.138" (3.5mm)	0.945" (24.0mm)	02 & 70	-
16N	0.138" (3.5mm)	0.945" (24.0mm)	02 & 70	20A
16AH	0.138" (3.5mm)	0.945" (24.0mm)	02 & 70	(1)-20Q, (1)-20A
80A	0.138" (3.5mm)	1.378" (35.0mm)	02 & 70	-
80B	0.138" (3.5mm)	1.378" (35.0mm)	02 & 70	20A
16X	0.156" (4.0mm)	0.709" (18.0mm)	02	-
16Y	0.156" (4.0mm)	0.709" (18.0mm)	02	20A
16AT	0.156" (4.0mm)	0.709" (18.0mm)	02	-
16AU	0.156" (4.0mm)	0.709" (18.0mm)	02	20A
16A	0.156" (4.0mm)	0.945" (24.0mm)	02	-
16B	0.156" (4.0mm)	0.945" (24.0mm)	02	20A
16G*	0.156" (4.0mm)	0.945" (24.0mm)	02	-
16H*	0.156" (4.0mm)	0.945" (24.0mm)	02	20A
16C	0.175" (4.4mm)	0.945" (24.0mm)	02	-
16D	0.175" (4.4mm)	0.945" (24.0mm)	02	20A
16V	0.177" (4.5mm)	0.945" (24.0mm)	02	-
16W	0.177" (4.5mm)	0.945" (24.0mm)	02	20A
16AK	0.189" (4.8mm)	0.472" (12.0mm)	02	-
16AL	0.189" (4.8mm)	0.472" (12.0mm)	02	20A
50A	0.188" (4.8mm)	0.750" (19.1mm)	02	-
50B	0.188" (4.8mm)	0.750" (19.1mm)	02	20A
50C	0.188" (4.8mm)	0.750" (19.1mm)	05	-
50D	0.188" (4.8mm)	0.750" (19.1mm)	05	20A



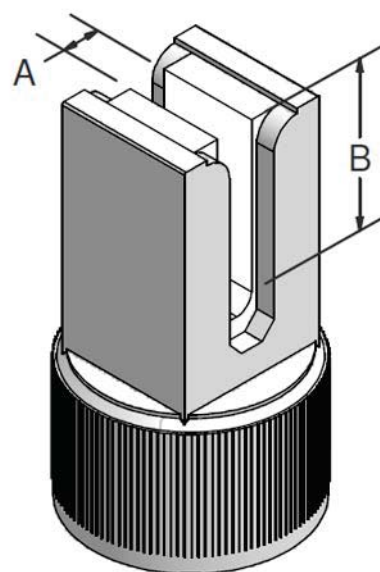
* Provides improved flow characteristics to the end of the applicator

WRAPAROUND APPLICATORS



1624 South Eber Rd., Holland, Ohio 43528
 PHONE: 419.866.0700 FAX: 419.866.0767

PRODUCT NUMBER	DIMENSION (A)		DIMENSION (B)		FELT TYPE	RESTRICTOR
16AP	0.189"	(4.8mm)	0.472"	(12.0mm)	02	-
16AQ	0.189"	(4.8mm)	0.472"	(12.0mm)	02	20A
50E	0.197"	(5.0mm)	0.750"	(19.1mm)	19	-
50F	0.197"	(5.0mm)	0.750"	(19.1mm)	19	20A
16P	0.197"	(5.0mm)	0.945"	(24.0mm)	02	-
16Q	0.197"	(5.0mm)	0.945"	(24.0mm)	02	20A
16Ai	0.197"	(5.0mm)	0.945"	(24.0mm)	02	-
16AJ	0.197"	(5.0mm)	0.945"	(24.0mm)	02	20A
80M	0.197"	(5.0mm)	1.181"	(30.0mm)	19	-
80N	0.197"	(5.0mm)	1.181"	(30.0mm)	19	20A
80C	0.197"	(5.0mm)	1.378"	(35.0mm)	02	-
80D	0.197"	(5.0mm)	1.378"	(35.0mm)	02	20A
16AM	0.213"	(5.4mm)	0.512"	(13.0mm)	02	20P
16AN	0.213"	(5.4mm)	0.512"	(13.0mm)	02	(1)-20P, (1)-20A
16AA	0.217"	(5.5mm)	0.945"	(24.0mm)	02	-
16AB	0.217"	(5.5mm)	0.945"	(24.0mm)	02	20A
80G	0.256"	(6.5mm)	1.654"	(42.0mm)	03	-
80H	0.256"	(6.5mm)	1.654"	(42.0mm)	03	20A
16AE	0.276"	(7.0mm)	0.512"	(13.0mm)	03	20P
16AF	0.276"	(7.0mm)	0.512"	(13.0mm)	03	(1)-20P, (1)-20A
80P	0.197"	(5.0mm)	1.969" - 2.087"	(50.0mm - 53.0mm)	02	-
80Q	0.197"	(5.0mm)	1.969" - 2.087"	(50.0mm - 53.0mm)	02	20A

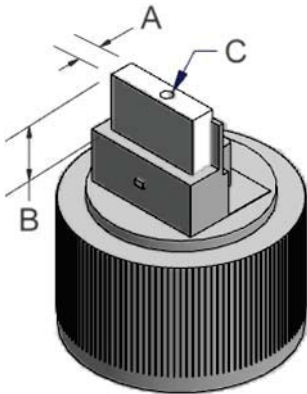
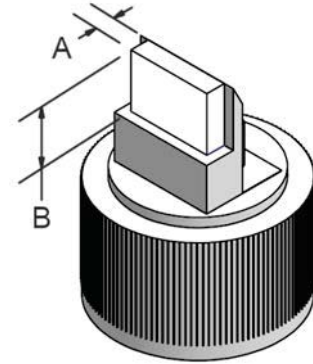


WRAPAROUND APPLICATORS



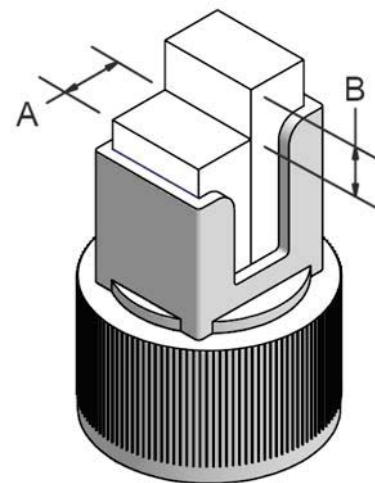
1624 South Eber Rd., Holland, Ohio 43528
 PHONE: 419.866.0700 FAX: 419.866.0767

PRODUCT NUMBER	DIMENSION (A)	DIMENSION (B)	FELT	
			TYPE	RESTRICTOR
11V	0.079" (2.0mm)	0.315" (8.0mm)	12	-
11W	0.079" (2.0mm)	0.315" (8.0mm)	12	20A



PRODUCT NUMBER	DIMENSION (A)	DIMENSION (B)	FLOW HOLE (C)	FELT	
				TYPE	RESTRICTOR
11BG	0.075" (1.9mm)	0.294" (7.5mm)	-	35	-
11BH	0.075" (1.9mm)	0.294" (7.5mm)	-	35	20A
11BE	0.125" (3.2mm)	0.294" (7.5mm)	0.035" (0.9mm)	09	-
11BF	0.125" (3.2mm)	0.294" (7.5mm)	0.035" (0.9mm)	09	20A

PRODUCT NUMBER	DIMENSION (A)	DIMENSION (B)	FELT	
			TYPE	RESTRICTOR
24C	0.250" (6.4mm)	0.188" (4.8mm)	04	-
24D	0.250" (6.4mm)	0.188" (4.8mm)	04	20A

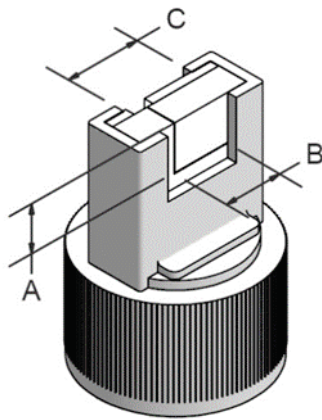
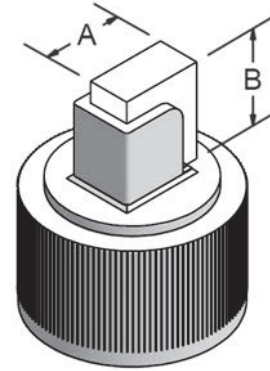


WRAPAROUND APPLICATORS



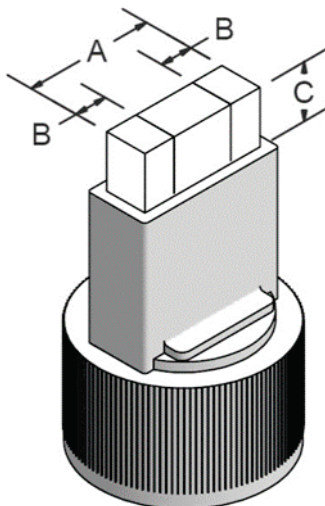
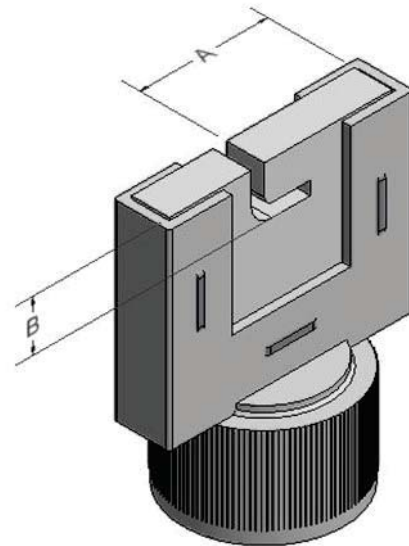
1624 South Eber Rd., Holland, Ohio 43528
 PHONE: 419.866.0700 FAX: 419.866.0767

PRODUCT NUMBER	DIMENSION (A)		DIMENSION (B)		FELT	
					TYPE	RESTRICTOR
46AE	0.500"	(12.7mm)	0.563"	(14.3mm)	04	-
46AF	0.500"	(12.7mm)	0.563"	(14.3mm)	04	20A



PRODUCT NUMBER	DIMENSION (A)		DIMENSION (B)		DIMENSION (C)		FELT	
							TYPE	RESTRICTOR
44AP	0.315"	(8.0mm)	0.394"	(10.0mm)	0.472"	(12.0mm)	04	-
44AQ	0.315"	(8.0mm)	0.394"	(10.0mm)	0.472"	(12.0mm)	04	20A

PRODUCT NUMBER	DIMENSION (A)		DIMENSION (B)		FELT	
					TYPE	RESTRICTOR
32FI	0.860"	(21.8mm)	0.346"	(8.8mm)	20	-
32FJ	0.860"	(21.8mm)	0.346"	(8.8mm)	20	20A



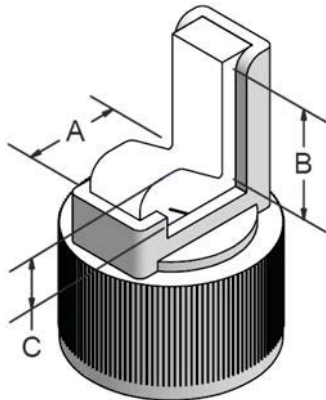
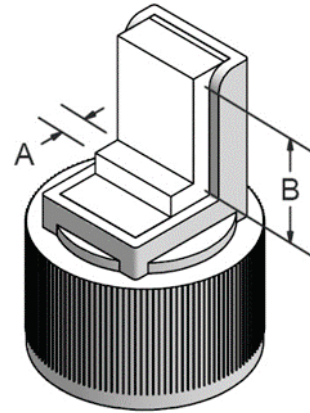
PRODUCT NUMBER	DIMENSION (A)		DIMENSION (B)		DIMENSION (C)		FELT	
							TYPE	RESTRICTOR
44AT	0.750"	(19.1mm)	0.188"	(4.8mm)	0.315"	(8.0mm)	20	20Q
44AU	0.750"	(19.1mm)	0.188"	(4.8mm)	0.315"	(8.0mm)	20	(1)-20Q, (1)-20A

WRAPAROUND APPLICATORS



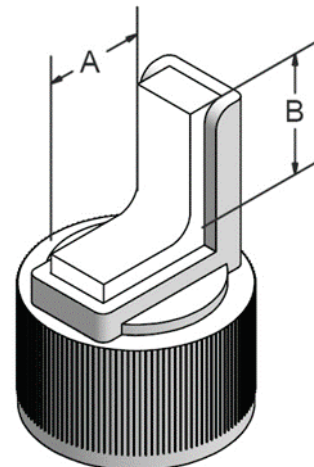
1624 South Eber Rd., Holland, Ohio 43528
 PHONE: 419.866.0700 FAX: 419.866.0767

PRODUCT NUMBER	DIMENSION		FELT	
	(A)	(B)	TYPE	RESTRICTOR
19E	0.110" (2.8mm)	0.276" (7.0mm)	19	-
19F	0.110" (2.8mm)	0.276" (7.0mm)	19	20A
19M	0.335" (8.5mm)	0.315" (8.0mm)	19	-
19N	0.335" (8.5mm)	0.315" (8.0mm)	19	20A
19C	0.118" (3.0mm)	0.593" (15.1mm)	19	-
19D	0.118" (3.0mm)	0.593" (15.1mm)	19	20A
19i	0.167" (4.2mm)	0.315" (8.0mm)	02	-
19J	0.167" (4.2mm)	0.315" (8.0mm)	02	20A
19K	0.167" (4.2mm)	0.315" (8.0mm)	02	-
19L	0.167" (4.2mm)	0.315" (8.0mm)	02	20A
16AR	0.177" (4.5mm)	0.787" (20.0mm)	19	-
16AS	0.177" (4.5mm)	0.787" (20.0mm)	19	20A
16R	0.180" (4.6mm)	0.945" (24.0mm)	19	-
16S	0.180" (4.6mm)	0.945" (24.0mm)	19	20A



PRODUCT NUMBER	DIMENSION			FELT	
	(A)	(B)	(C)	TYPE	RESTRICTOR
31C	0.375" (9.5mm)	0.750" (19.1mm)	0.250" (6.4mm)	02	-
31D	0.375" (9.5mm)	0.750" (19.1mm)	0.250" (6.4mm)	02	20A

PRODUCT NUMBER	DIMENSION		FELT	
	(A)	(B)	TYPE	RESTRICTOR
31E	0.500" (12.7mm)	0.750" (19.1mm)	02	-
31F	0.500" (12.7mm)	0.750" (19.1mm)	02	20A
31M	0.820" (20.8mm)	0.800" (20.0mm)	02	-
31N	0.820" (20.8mm)	0.800" (20.0mm)	02	20A
31I	0.840" (21.0mm)	0.800" (20.0mm)	02	-
31J	0.840" (21.0mm)	0.800" (20.0mm)	02	20A
31K	1.050" (27.0mm)	1.672" (42.0mm)	02	-
31L	1.050" (27.0mm)	1.672" (42.0mm)	02	20A

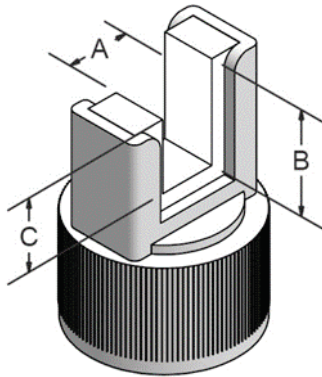
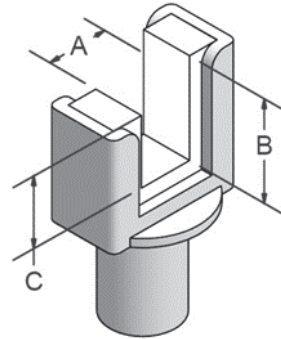


WRAPAROUND APPLICATORS



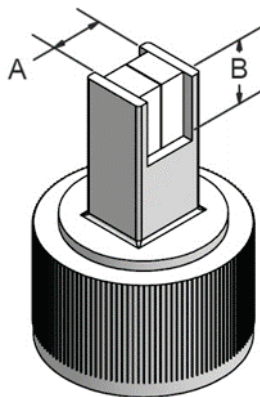
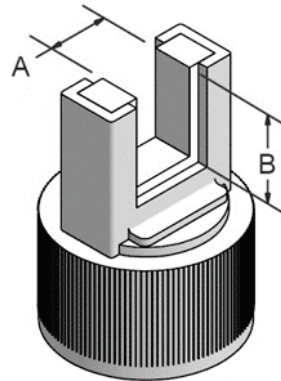
1624 South Eber Rd., Holland, Ohio 43528
 PHONE: 419.866.0700 FAX: 419.866.0767

PRODUCT NUMBER	DIMENSION (A)	DIMENSION (B)	DIMENSION (C)	FELT TYPE	RESTRICTOR
31G	0.375" (9.5mm)	0.750" (19.1mm)	0.500" (12.7mm)	02	-
31H	0.375" (9.5mm)	0.750" (19.1mm)	0.500" (12.7mm)	02	20A



PRODUCT NUMBER	DIMENSION (A)	DIMENSION (B)	DIMENSION (C)	FELT TYPE	RESTRICTOR
31A	0.375" (9.5mm)	0.750" (19.1mm)	0.500" (12.7mm)	02	-
31B	0.375" (9.5mm)	0.750" (19.1mm)	0.500" (12.7mm)	02	20A

PRODUCT NUMBER	DIMENSION (A)	DIMENSION (B)	FELT TYPE	RESTRICTOR
44DA	0.285" (7.3mm)	0.492" (12.5mm)	27	-
44DB	0.285" (7.3mm)	0.492" (12.5mm)	27	20A
44DZ	0.285" (7.3mm)	0.492" (12.5mm)	27	(2)-20A
44Di	0.394" (10.0mm)	0.492" (12.5mm)	05	20Q
44DJ	0.394" (10.0mm)	0.492" (12.5mm)	05	(1)-20Q, (1)-20A
44Bi	0.394" (10.0mm)	0.591" (15.0mm)	05	20Q
44BJ	0.394" (10.0mm)	0.591" (15.0mm)	05	(1)-20Q, (1)-20A
44CG	0.394" (10.0mm)	0.591" (15.0mm)	02	-
44CH	0.394" (10.0mm)	0.591" (15.0mm)	02	20A



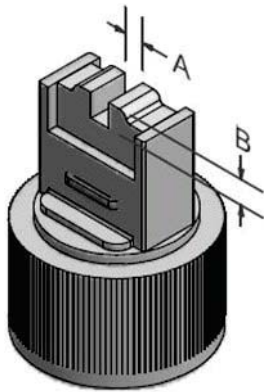
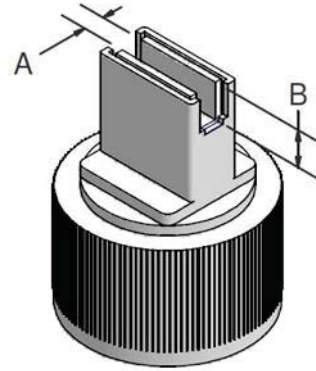
PRODUCT NUMBER	DIMENSION (A)	DIMENSION (B)	FELT TYPE	RESTRICTOR
46BK	0.394" (10.0mm)	0.303" (7.7mm)	04	-
46BL	0.394" (10.0mm)	0.303" (7.7mm)	04	20A

WRAPAROUND APPLICATORS



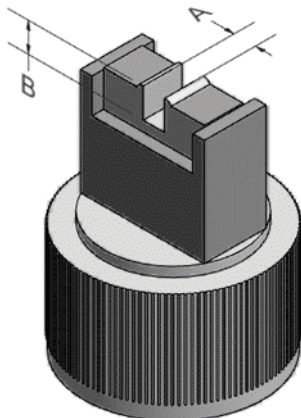
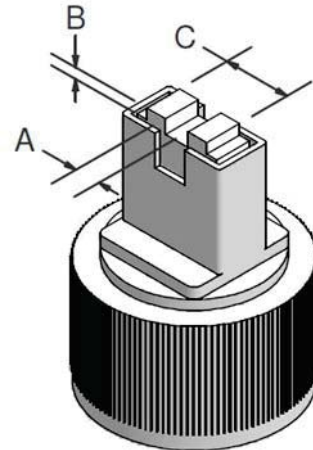
1624 South Eber Rd., Holland, Ohio 43528
 PHONE: 419.866.0700 FAX: 419.866.0767

PRODUCT NUMBER	DIMENSION (A)		DIMENSION (B)		FELT	
					TYPE	RESTRICTOR
23DR	0.125"	(3.2mm)	0.217"	(5.5mm)	04	-
23DS	0.125"	(3.2mm)	0.217"	(5.5mm)	04	20A
44DR	0.394"	(10.0mm)	0.217"	(5.5mm)	04	-
44DS	0.394"	(10.0mm)	0.217"	(5.5mm)	04	20A



PRODUCT NUMBER	DIMENSION (A)		DIMENSION (B)		FELT	
					TYPE	RESTRICTOR
23DT	0.125"	(3.2mm)	0.159"	(4.0mm)	04	-
23DU	0.125"	(3.2mm)	0.159"	(4.0mm)	04	20A

PRODUCT NUMBER	DIMENSION (A)		DIMENSION (B)		DIMENSION (C)		FELT	
							TYPE	RESTRICTOR
23DV	0.142"	(3.6mm)	0.085"	(2.2mm)	0.375"	(9.5mm)	28	-
23DW	0.142"	(3.6mm)	0.085"	(2.2mm)	0.375"	(9.5mm)	28	20A



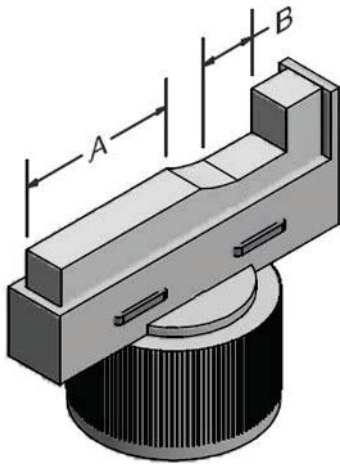
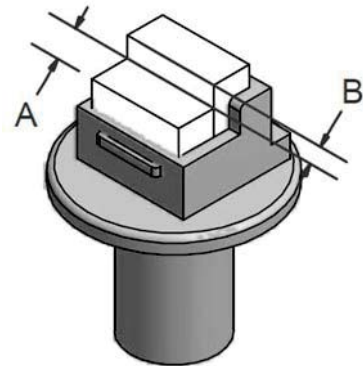
PRODUCT NUMBER	DIMENSION (A)		DIMENSION (B)		FELT	
					TYPE	RESTRICTOR
23FC	0.125"	(3.2mm)	0.158"	(4.0mm)	04	-
23FD	0.125"	(3.2mm)	0.158"	(4.0mm)	04	20A

WRAPAROUND APPLICATORS



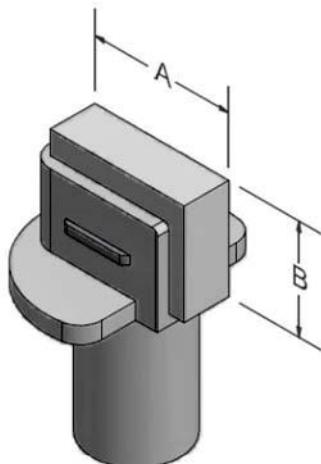
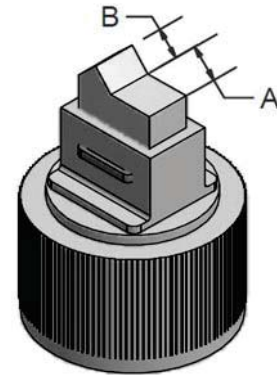
1624 South Eber Rd., Holland, Ohio 43528
 PHONE: 419.866.0700 FAX: 419.866.0767

PRODUCT NUMBER	DIMENSION		FELT	
	(A)	(B)	TYPE	RESTRICTOR
13I	0.197" (5.0mm)	0.117" (3.0mm)	16	-
13J	0.197" (5.0mm)	0.117" (3.0mm)	16	20A



PRODUCT NUMBER	DIMENSION		FELT	
	(A)	(B)	TYPE	RESTRICTOR
49AX	1.000" (25.4mm)	0.350" (8.9mm)	04	-
49AY	1.000" (25.4mm)	0.350" (8.9mm)	04	20A

PRODUCT NUMBER	DIMENSION		FELT	
	(A)	(B)	TYPE	RESTRICTOR
23JL	0.295" (7.5mm)	0.157" (4.0mm)	04	20A
23JK	0.295" (7.5mm)	0.157" (4.0mm)	04	(1)-20Q, (1)-20A



PRODUCT NUMBER	DIMENSION		FELT	
	(A)	(B)	TYPE	RESTRICTOR
44EG	0.750" (19.1mm)	0.563" (14.3mm)	04	-
44EH	0.750" (19.1mm)	0.563" (14.3mm)	04	20A