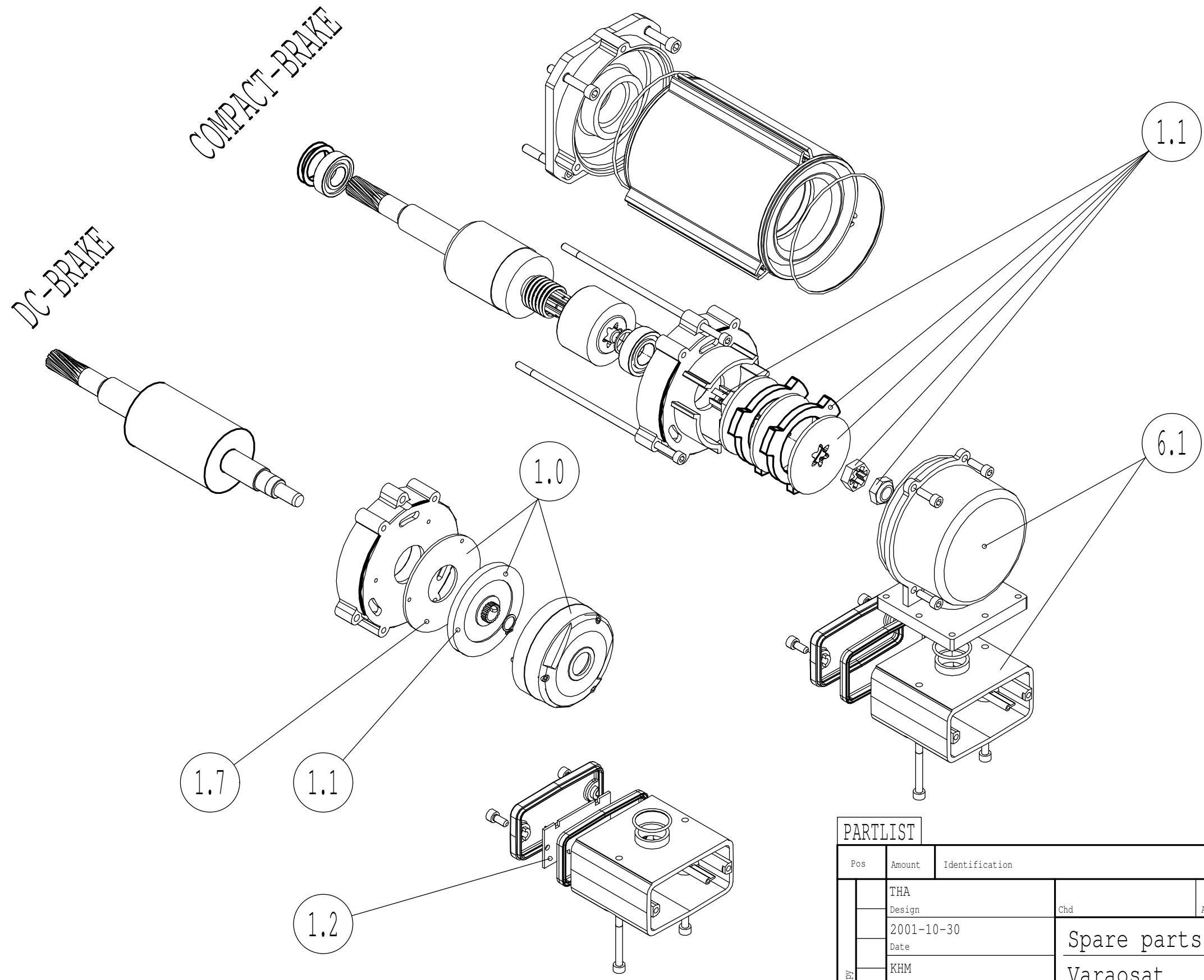


This document is the absolute property of KCI Motors Corporation. This document must not be copied without the written permission of KCI Motors Corporation or it's parent company Konecranes Finance Corporation. The contents thereof must not be disclosed to a third party nor be used for any unauthorized purpose. Contravention will be prosecuted.

Included in

Rev	Explanation	Date	Revised by	Num	M-f
-----	-------------	------	------------	-----	-----

MF06-V18



PARTLIST

Pos	Amount	Identification	Specification	Weight kg/pcs
		THA		
		Design	Chd	
		2001-10-30	Appd	
		Date		
		KHM		
		Dept		
			p_MF06-V18	
			Vx file	
			Vx proj	
			Spare parts	1 : 3
			Varaosat	M-film
			GEK/GES, DC-/COMPACT-brake	
			MF06-V18	Issue

Twin copy

