

PRESSURE SWITCH XP601  
(Successor for Jaeger Pressure Switch PS 14.01)



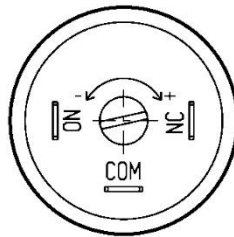
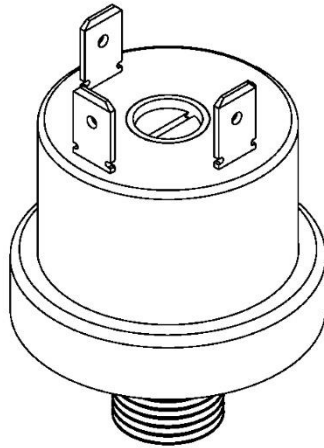
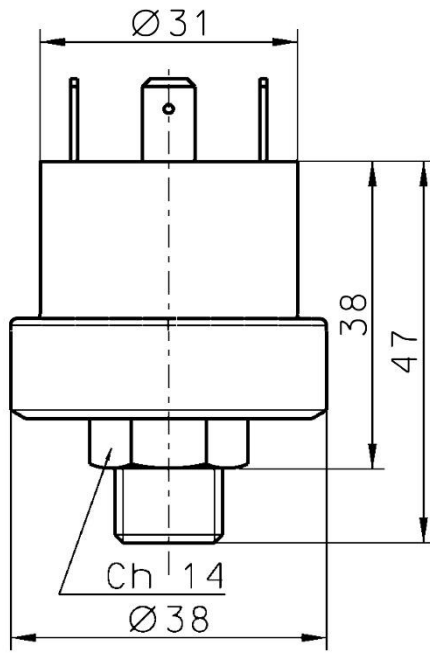


## Technical Data:

Pressure Connection: stainless steel AISI304  
Thread: 1/4" ISO228  
Main Body: tecnopolymer (PET)  
Membrane: AISI316  
Protection degree: IP00  
Adjustment: by screw  
Rated impulse voltage: 2,5 KV  
Electric intervention: SPDT 10(2)-250 Vac  $\mu$   
SPST-NC 10(2)-250 Vac  $\mu$   
SPST-NO 10(2)-250 Vac  $\mu$   
UL/CSA: SPDT-5A-125/250Vac  $\mu$   
Electric Connection: terminal 6,3 x 0,8  
Operating ambient temperature T125°C  
Use heat resistant conductors T138°C  
Burst pressure: higher than 30 bar  
Type of action: 1B  
Degree of pollution: 2  
Thermic drift: 0,04 bar for 10°C with respect  
to temperature of +20°C

Range: 0,2 until 1,2 bar  
Test Pressure: 4 bar  
Fix differential: 0,3 +/- 0,15 bar

Protective cup: available in EPDM, black



Protective cup

