
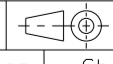
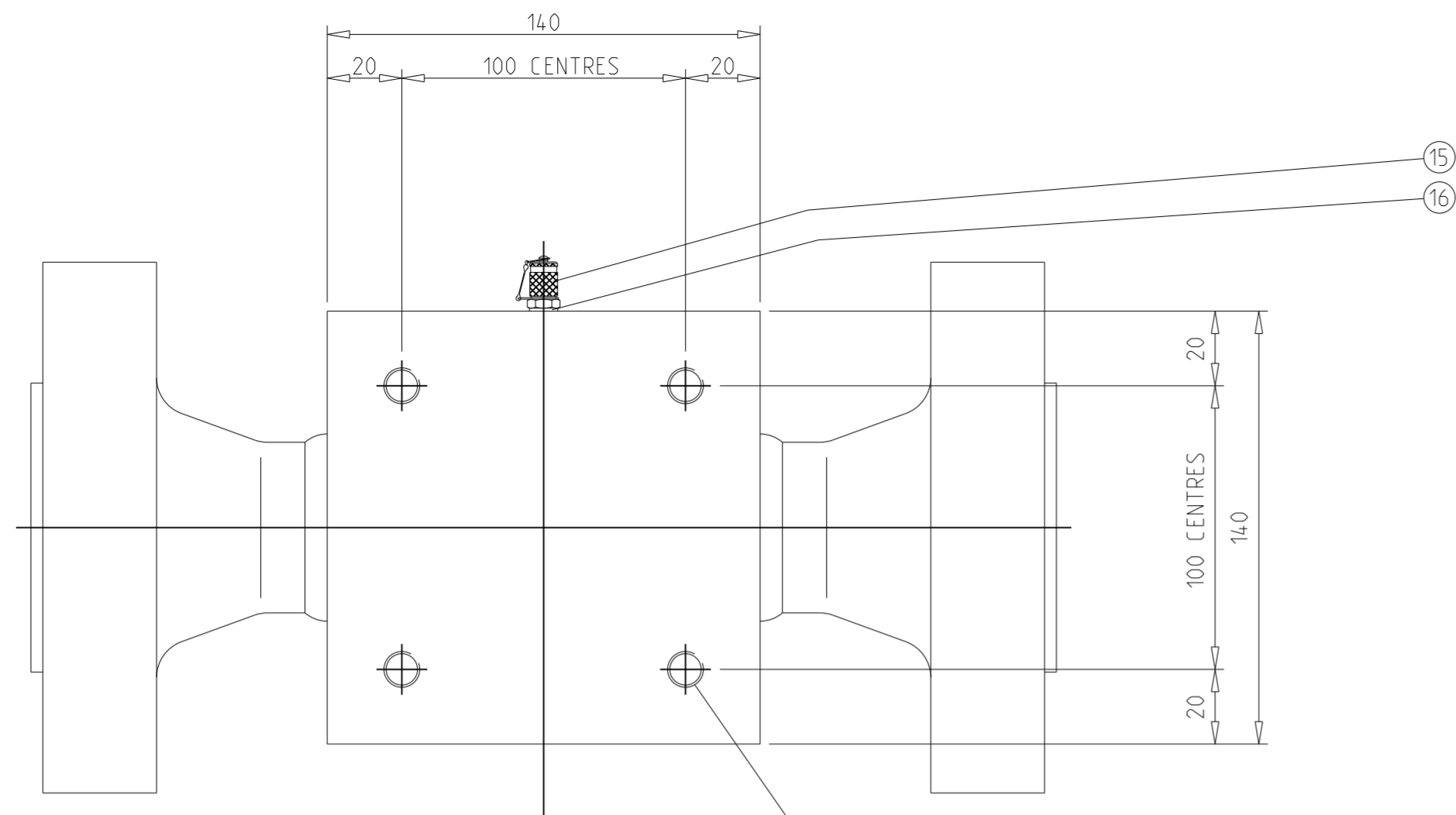


ANSI B16.5 flanges joint class 2500,
both connections identical.
Operating pressure p=320bar

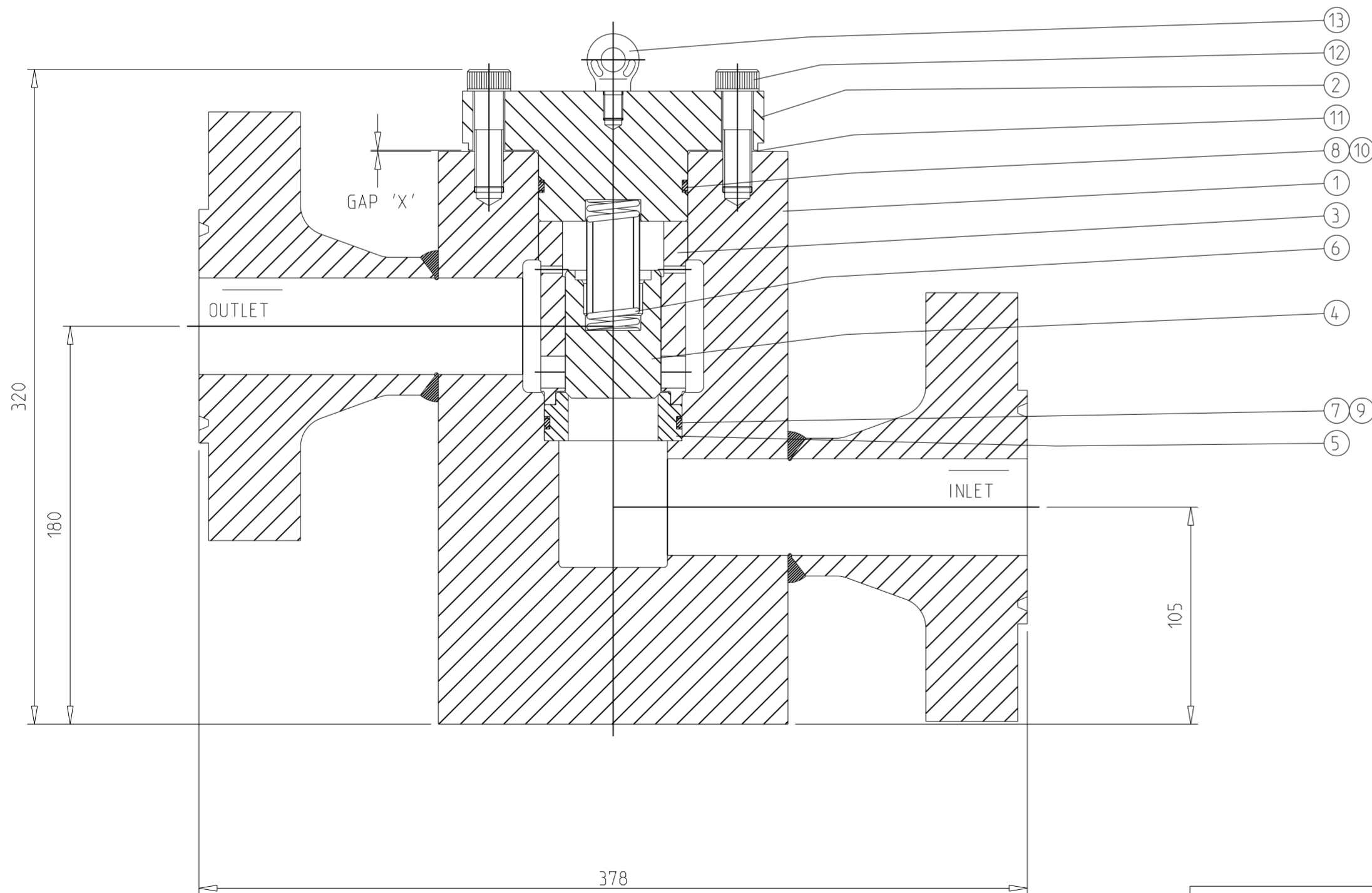
This drawing is property of Tiefenbach Control Systems GmbH and contains confidential information that may not be reproduced, copied or used without the written permission of Tiefenbach Control Systems GmbH. Violators will be prosecuted to the full extent of the law.

Article-no. 221719		Material	Mass [kg] 0.000			
Description Check valve DN 40 Flange acc. ANSI B16.5 Cl 2500						
Origin	Date	Name	Dimension w. Tolerance	Drawing-no.	Version	Sheet
Shown	08.06.10	RaskopS (deleted)	DIN ISO 2768-mK	30-208431-00	00	1 of 2
Checked	24.02.10	Raskop		Superseded by	Replace for	

Scale 1:2  A2



4 HOLES TAPPED M20
POSITION AS SHOWN



Quantities	No.	Description	Ref	Standard	W't	Material	No. Off / Unit	Recommended Spares
	4	16 BONDED SEAL 1/4" BSP	PP45-B			STEEL/NITRILE	2	
	4	15 TEST COUPLING 1/4" BSP (STAUFF)	SMK20-G1/4-PC			STEEL	2	
	2	14 NAMEPLATE	V11181			ALUMINIUM	1	
	2	13 EYEBOLT M16	COLLARED	BS4267		CARBON STEEL	1	
	8	12 SOCKET CAPSCREW M24 x 75		BS4168		Dr911/12.9	4	
	2	11 LAMINATED SHIM	V14093			ALUMINIUM	1	
	4	10 2-3/4" x 2-1/2" BACKUP RING	230			FLUON	2	2
	4	9 2-5/8" x 2-3/8" BACKUP RING	229			FLUON	2	2
	2	8 2-3/4" x 2-1/2" SEAL RING	230/90			HIGH NITRILE	1	1
	2	7 2-5/8" x 2-3/8" SEAL RING	229/90			HIGH NITRILE	1	1
	2	6 SPRING	V5409			STAINLESS STEEL	1	
	2	5 SEAT	V13214/10	BS970-431S29/STELL.		ST. ST./STELLITE	1	1
	2	4 VALVE HEAD	V14005/10	BS970-431S29/STELL.		ST. ST./STELLITE	1	1
	2	3 LINER	V14004			MANGANESE BRONZE	1	
	2	2 COVER	V14092	BS970-070M20		CARBON STEEL	1	
	2	1 BODY	V15203	BS970-070M20		CARBON STEEL	1	

NOTES:

- SHIM PACK THICKNESS TO BE GAP 'X' LESS 0.05mm
- WHEN ORDERING SPARES PLEASE QUOTE:
 - VALVE REFERENCE NUMBER
 - PART REFERENCE NUMBER
- ANSI B16.5 RING JOINT CLASS 2500 FLANGES, SCHEDULE XXS
BOTH CONNECTIONS IDENTICAL

A2881

Article-no.	Material	Mass [kg]		
221719		0.000		
Description			Scale	A2
Check valve DN 40			1:2	
Flange acc. ANSI B16.5 Cl 2500			Version	Sheet
Origin	Date	Name	Dimension w. Tolerance	Drawing-no.
Shown	24.02.10	Raskop	DIN ISO 2768-mK	30-208431-00
Checked	08.06.10	RaskopS (deleted)	Superseded by	Replace for
	24.02.10	Raskop		00
				2 of 2

This drawing is property of Tiefenbach Control Systems GmbH and contains confidential information that may not be reproduced, copied or used without the written permission of Tiefenbach Control Systems GmbH. Violators will be prosecuted to the full extent of the law.