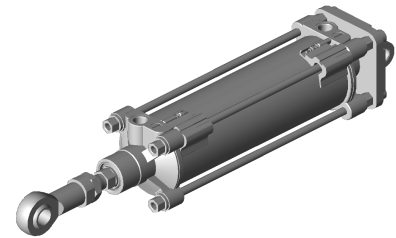


**Type code** TRB-DA-080-0210-0-2-2-1-1-1-ACC  
**Material number** R480645515

**Description**

Series	<b>TRB</b>	Tie rod cylinder - series TRB
Piston diameter	<b>080</b>	Piston diameter 80
Stroke	<b>0210</b>	Stroke in mm
Threads	<b>0</b>	ISO Threads
Cushioning	<b>2</b>	Pneumatic cushioning
Piston	<b>2</b>	Piston with magnet ring
Piston rod	<b>1</b>	Single
Sealings	<b>1</b>	Sealings - standard PUR (-20°C to 80°C)
Scraper	<b>1</b>	Scraper - Standard PUR
Corrosion protection	<b>1</b>	Standard
Piston rod extension	<b>0</b>	Without piston rod extension
ATEX	<b>000</b>	Without ATEX
Trunnion mounting	<b>0</b>	Without trunnion mounting
Position trunnion mounting	<b>0</b>	
End covers	<b>0</b>	End covers without surface treatment
Port position		
Port position front	<b>0</b>	0° (12h)
Port position rear	<b>0</b>	0° (12h)



**Accessories**

Piston rod mountings	<b>AP6</b>	Ball Eye Rod End
Mounting at front cover	<b>000</b>	No mounting at front cover
Mounting orientation front	<b>00</b>	Without mounting
Mounting at rear cover	<b>MP4</b>	Rear eye with PTFE-Bushing
Mounting orientation rear	<b>HR</b>	Mounting orientation - Horizontal
Counter bearing	<b>000</b>	No counter bearing
Guide units	<b>000</b>	No guiding unit, no locking element
Sensor type	<b>I06</b>	ST6 with 3 m cable PNP
Sensor position	<b>13</b>	Front and rear position 12h
Fittings front	<b>000</b>	Front cover - without fitting
Fittings rear	<b>000</b>	Rear cover - without fitting

**Note:**

A specific part number is required for ordering and clearly identifying the configured product. If the part number is not shown under the type code, please save your configuration under "Save project".

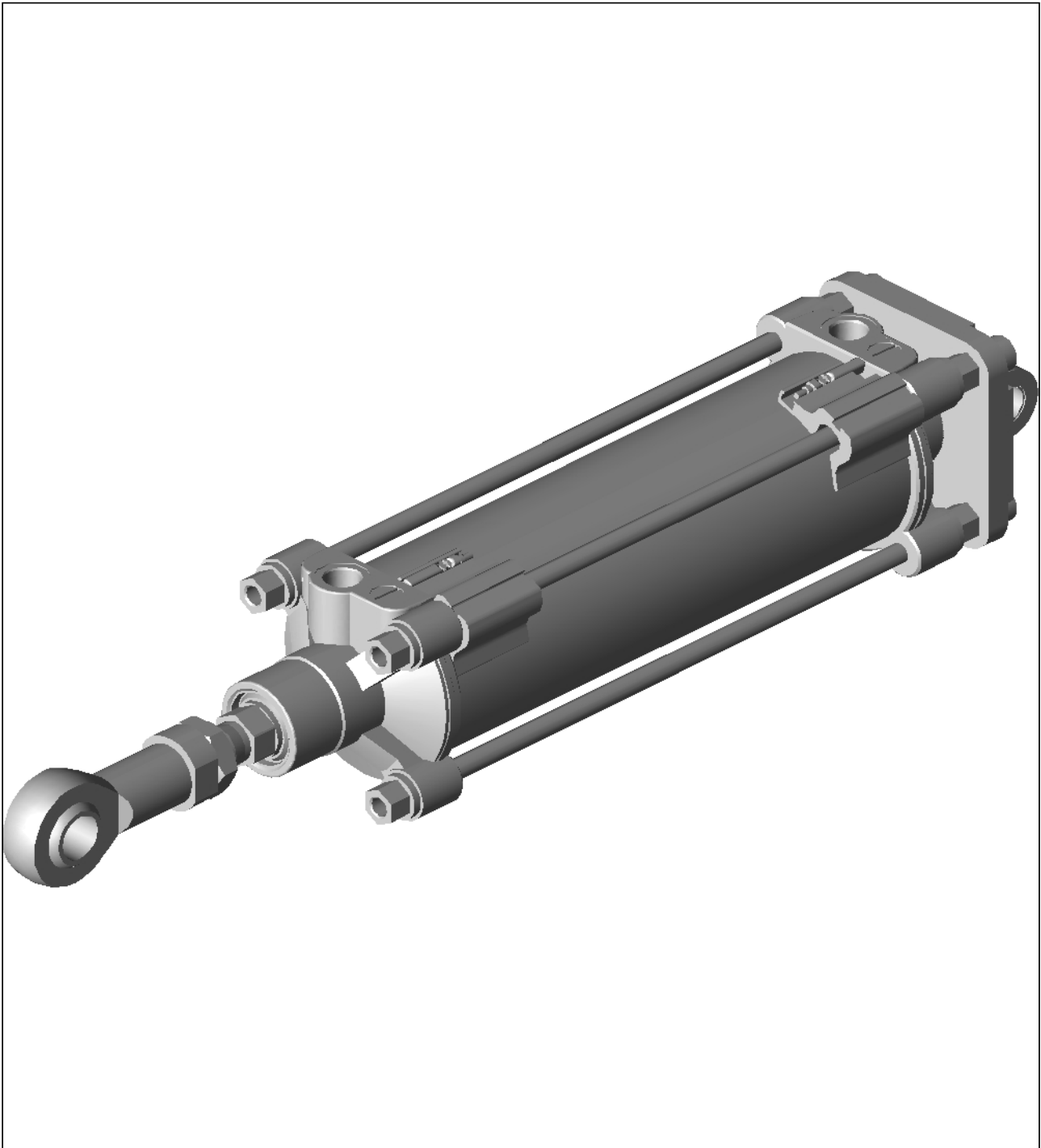
---

**Type code** TRB-DA-080-0210-0-2-2-1-1-1-ACC  
**Material number** R480645515

**Spare parts**

Base cylinder	<b>0822344126</b>	TRB-DA-080-0210-0-2-2-1-1-1-BAS
Piston rod	<b>R480963245</b>	PISTON ROD (ASM) 080-0210-0-2-1-1-1
Tube	<b>R480963246</b>	TUBE TRB-080-0210-0-1-1
Tie rod		TIEROD TRB-080-0210-0-1-1
Piston rod mounting	<b>1822124006</b>	CM2-AP6-M020-M2-A
End cover mounting	<b>1827001287</b>	CM1-MP4-080-FO-AL-ISO15552
Sensor	<b>R412022853</b>	ST6-PN-K03U-030
Sensor holder	<b>1827020284</b>	CB1-TRB-080-100-ST6
Spare part kit - standard	<b>R413000902</b>	SPARE PART KIT PRA/TRB-080-ST

Type code TRB-DA-080-0210-0-2-2-1-1-1-ACC  
Material number R480645515

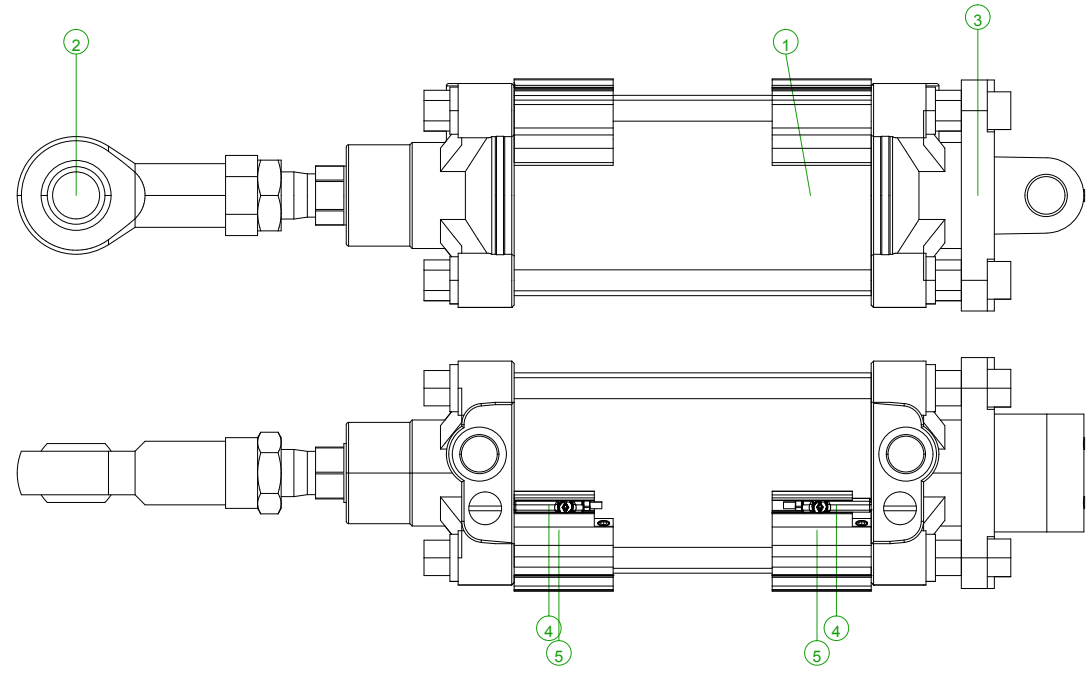


Please click on the image to activate the 3D model.  
We are not liable for this 3D model since it has been generated automatically.

© Alle Rechte bei AVENTICS S.p.A., auch für den Fall von Schutzrechtsanmeldungen. Jede Weitergabe, wie Kopier- und Weitergaberecht, ist untersagt.

This document, as well as the data, specifications and other informations set forth in it, are the exclusive property of AVENTICS S.p.A. Without their consent it may not be reproduced or given to third parties.

Pos.	Quantity	Material number	Designation	Type code
1	1	0822344126	Base cylinder	TRB-DA-080-0210-0-2-2-1-1-1-BAS
2	1	1822124006	SWIVEL HEAD	CM2-AP6-M020-M2-A
3	1	1827001287	COUNTER BEARING	CM1-MP4-080-FO-AL-ISO15552
4	2	R412022853	SENSOR	ST6-PN-K03U-030
5	2	1827020284	SUPPORT CLAMP	CB1-TRB-080-100-ST6

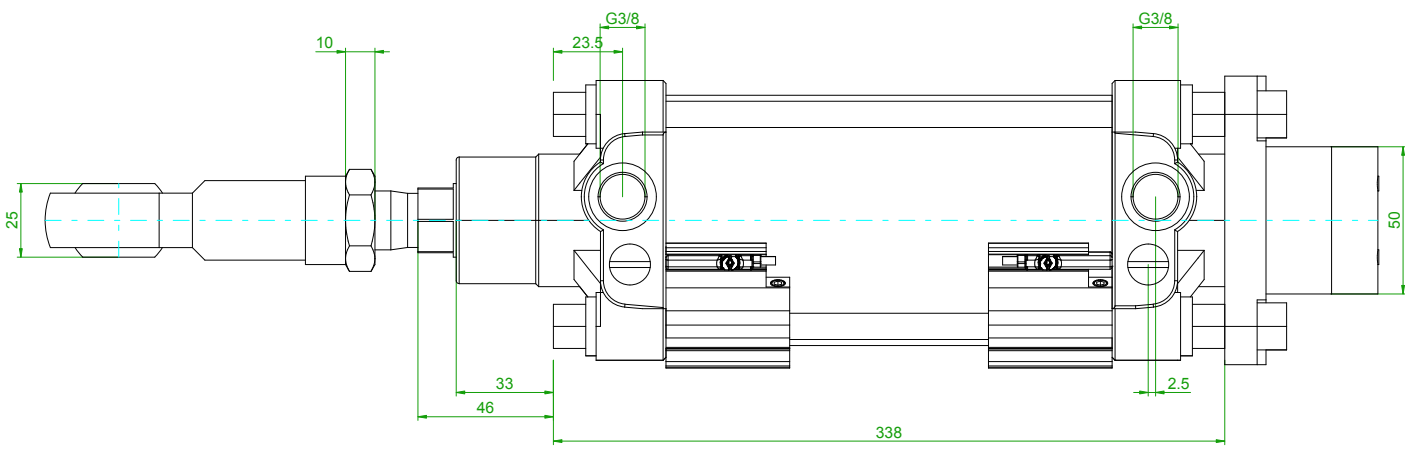
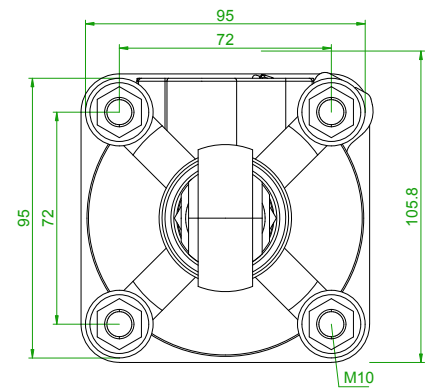
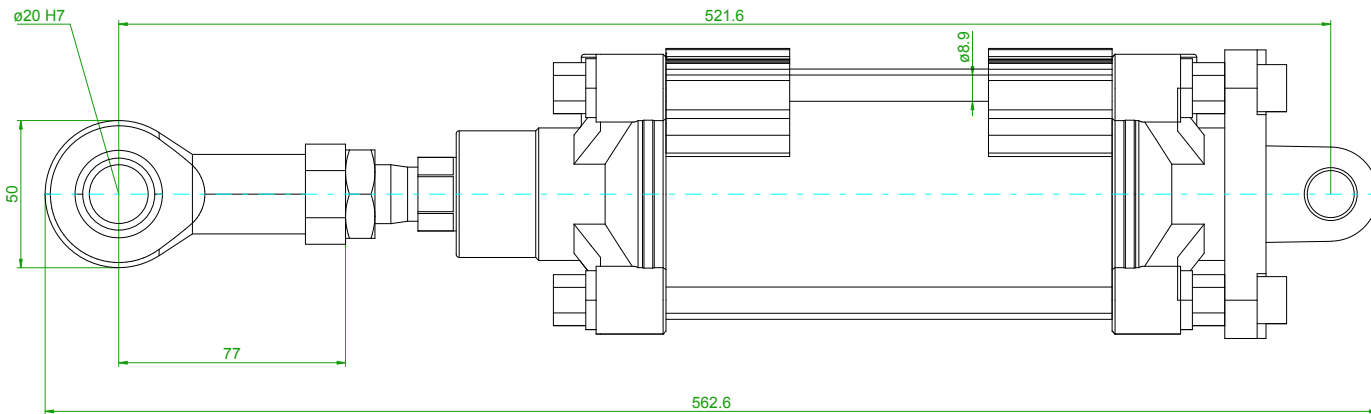


Note:  
Stroke length not to scale.  
For this drawing non-warranty exists, because it is build automatically.

No changes		2019-09-06	Cylinder			-	-		
Ind.	Change/Amend.	Datum / Date	Drawn/Gez.	Checked/Gepr.	Released/Freig.	BWN	Resp. dept/Verantw. Abt.	Add info / Zus. Info	
LangSpr.	Syst.	Weight/Gew.			TRB-DA-080-0210-0-2-2-1-1-1-ACC			Sheet/Bl.	
EN		kg						1 / 1	
		Scale/M.stab	---		OFFER DRAWING		Doc. type		R480645515 - ZUZ PO/TO 001 Ind. A3
					ANGEBOTS-ZEICHN.		Repl. for		

© Alle Rechte bei AVENTICS S.p.A., auch für den Fall von Schutzrechtsmängelungen. Jede Verletzung des Kopier- und Weitergaberechts, bei uns.

© This Document, as well as the data, specifications and other informations set forth in it, are the exclusive property of AVENTICS S.p.A.. Without their consent it may not be reproduced or given to third parties.



Note:  
Stroke length not to scale.  
For this drawing non-warranty exists, because it is build automatically.  
Dimensions not shown, see technical documentation  
Dimensions in mm

No changes		2019-09-06	Cylinder						
Ind.	Change/Änd.	Datum / Date	Drawn/Gez.	Checked/Gepr.	Released/Freig.	BWN	Resp. dept/Verantw. Abt.	Add info / Zus. Info	
LangSpr.	Syst.	Weight/Gew.			<b>TRB-DA-080-0210-0-2-2-1-1-ACC</b>			Sheet/Bl.	
EN		kg						1 / 1	
		Scale/M.stab	OFFER DRAWING		Doc. type	R480645515 - AGZ		PO/ID	Ind.
		---	ANGEBOTS-ZEICHN.		MCC			001	A3
				Repl. for				Repl. by	