

Series 21000 DC Converter

21030C10

The 21030C10 DC converter provides regulated 12V power from a 24V input. Featuring sealed connectors and an IP67 sealed housing, the 21030C10 DC converter provides dependable power in the most challenging environments.

Features & Benefits

- Easily implemented into a system providing 12V power
- Allows use of 12V electrical components in a 24V electrical system providing greater system flexibility
- Clean output power for sensitive loads including radios and controllers
- Proven reliability with millions of operating hours

Key Differentiators

- Sealed input and output connectors
- Switched and un-switched outputs
- Full output current up to 85C
- IP67 Sealing
- ISO EMC performance
- Operation to 85C
- RoHS Compliant



Options

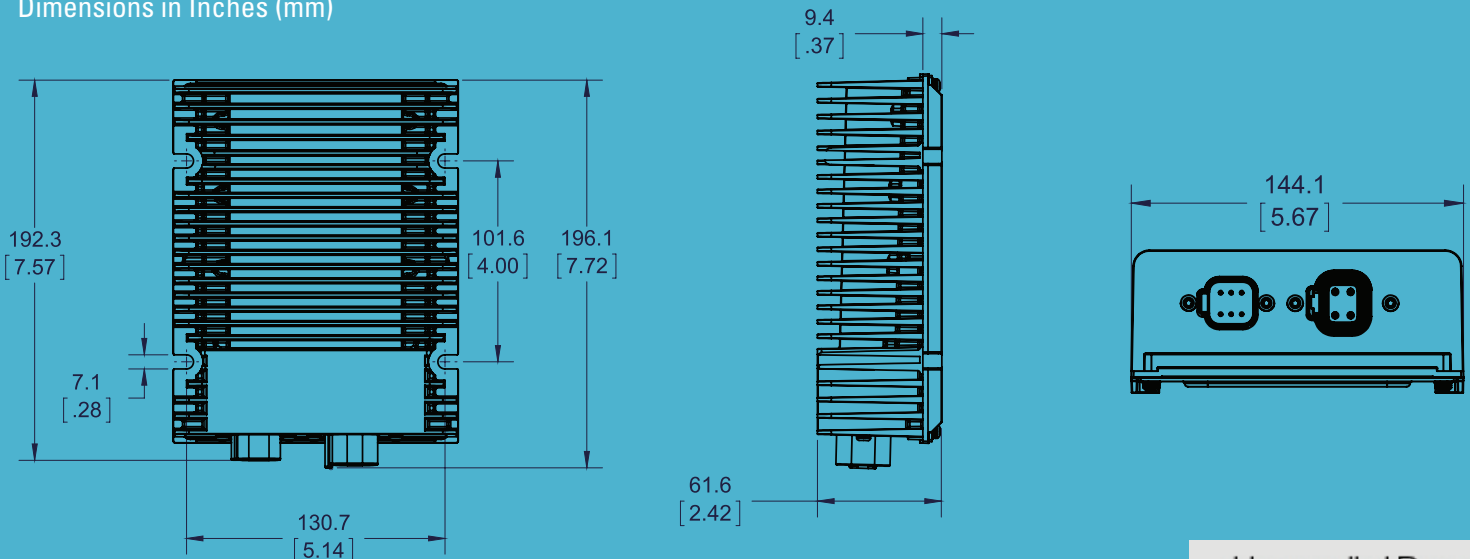
- Powder coated housing
- Battery Equalizer with output voltage of 1/2 the input voltage
- Deutsch mating connectors

Standards & Certifications

SAE J1455, J1113, CISPR 25, E mark, RoHS

Model	Voltage (input / output)	Output Current	Design Features
21030C10	24 / 12	30	IP 67, switched & unswitched output

Dimensions in Inches (mm)



Uncontrolled Document
Last Revision: 02.21.2022