

Polycarbonate and ABS Enclosures – Series CT

BERNSTEIN Series CT plastic enclosures are manufactured from high-grade polycarbonate or ABS. They are particularly suitable for encapsulating electrical and electronic components as well as complete small-scale controllers. All enclosures are available with a transparent polycarbonate cover. The enclosures correspond to protection class IP65 in accordance with DIN EN 60529.

Attachment bosses are provided on the base of the plastic enclosures for mounting built-in components. The components can be simply secured with the self-tapping mounting screws that come with the enclosure. With their attachment bosses in the base, BERNSTEIN plastic enclosures offer many direct mounting options. Mounting rails can be installed without mounting plates on the central bosses.

BERNSTEIN Series CT enclosures are supplied as standard with the quick-release fastener developed and patented by BERNSTEIN. The quick-release fasteners that come with the enclosure are simply pressed and locked into the holes in the cover. They are made from stainless steel. The protection class (on the standard enclosure) is ensured by a factory-fitted seal. BERNSTEIN polycarbonate and ABS enclosures are produced as standard in the colour RAL 7035 (light grey). On account of its material properties, the polycarbonate version offers specific advantages in terms of impact strength, UV resistance and operating temperature range. Thanks to the many attachment bosses in the body, both versions provide many direct mounting options.

Technical data

Material

Polycarbonate, transparent polycarbonate or ABS

Seal

Foamed PUR seal
Neoprene (CR) round cord (silicone-free)
Silicone round cord

Quick-release fastener

Stainless steel, self-locking, cross recessed head

Optionally:

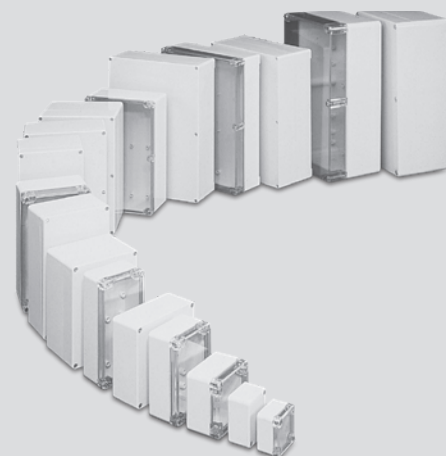
Stainless steel cover screw, cross recessed head
Sealed cover screws, galvanised steel, (9 S 20 K), slot head

Colour

RAL 7035 (light grey)
Other colours (dyeing) for large quantities available on request

Temperature range of CT enclosures

-40°C to +120°C (Polycarbonate)
-40°C to +80°C (ABS)



Temperature range of seals

Standard:
-40°C to +100°C (PUR seal)
Optionally:
-30°C to +80°C (Neoprene seal)
-60°C to +130°C (silicone seal)

Protection class

IP65

Approbations

(Label on demand)
c UL us (polycarbonate enclosures)
c CSA us (polycarbonate enclosures)



				Polycarbonate enclosure		Polycarbonate enclosure with transparent cover (PC)		ABS enclosure		ABS enclosure with transparent cover (PC)		
Dimensions/mm				Article number	Type	Article number	Type	Article number	Type	Article number	Type	
L	x	W	x	H								
52	x	50	x	35	2500000000	CT-501	2501000000	CT-501 T	3500000000	CT-502	3501000000	CT-502 T
65	x	50	x	35	2520000000	CT-521	2521000000	CT-521 T	3520000000	CT-522	3521000000	CT-522 T
82	x	80	x	55	2540000000	CT-541	2541000000	CT-541 T	3540000000	CT-542	3541000000	CT-542 T
82	x	80	x	85	2560000000	CT-561	2561000000	CT-561 T	3560000000	CT-562	3561000000	CT-562 T
120	x	80	x	55	2580000000	CT-581	2581000000	CT-581 T	3580000000	CT-582	3581000000	CT-582 T
120	x	80	x	85	2600000000	CT-601	2601000000	CT-601 T	3600000000	CT-602	3601000000	CT-602 T
160	x	80	x	55	2620000000	CT-621	2621000000	CT-621 T	3620000000	CT-622	3621000000	CT-622 T
160	x	80	x	85	2640000000	CT-641	2641000000	CT-641 T	3640000000	CT-642	3641000000	CT-642 T
122	x	120	x	55	2660000000	CT-661	2661000000	CT-661 T	3660000000	CT-662	3661000000	CT-662 T
122	x	120	x	85	2680000000	CT-681	2681000000	CT-681 T	3680000000	CT-682	3681000000	CT-682 T
160	x	120	x	90	2720000000	CT-721	2721000000	CT-721 T	3720000000	CT-722	3721000000	CT-722 T
200	x	120	x	75	2760000000	CT-761	2761000000	CT-761 T	3760000000	CT-762	3761000000	CT-762 T
200	x	120	x	90	2780000000	CT-781	2781000000	CT-781 T	3780000000	CT-782	3781000000	CT-782 T
240	x	120	x	100	2800000000	CT-801	2801000000	CT-801 T	3800000000	CT-802	3801000000	CT-802 T
200	x	150	x	75	2820000000	CT-821	2821000000	CT-821 T	3820000000	CT-822	3821000000	CT-822 T
240	x	160	x	90	2840000000	CT-841	2841000000	CT-841 T	3840000000	CT-842	3841000000	CT-842 T
240	x	160	x	120	2860000000	CT-861	2861000000	CT-861 T	3860000000	CT-862	3861000000	CT-862 T
250	x	160	x	90	2900000000	CT-901	2901000000	CT-901 T	3900000000	CT-902	3901000000	CT-902 T
250	x	160	x	120	2910000000	CT-911	2911000000	CT-911 T	3910000000	CT-912	3911000000	CT-912 T
360	x	200	x	150	2880000000	CT-881	2881000000	CT-881 T	3880000000	CT-882	3881000000	CT-882 T
300	x	230	x	86	2870000000	CT-871	2871000000	CT-871 T	3870000000	CT-872	3871000000	CT-872 T
300	x	230	x	110	2890000000	CT-891	2891000000	CT-891 T	3890000000	CT-892	3891000000	CT-892 T

Assembling of components

This is just a selection of possible assembly components that BERNSTEIN offers. Contact us, we can incorporate components from all leading manufacturers to satisfy your individual demand. You find further information about "System solutions" on page 12.



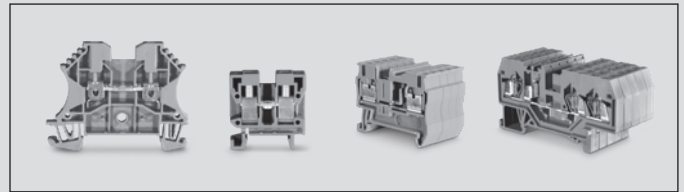
Mounting plates

Made from laminated paper (Pertinax) (thickness: CT-50 to CT-60: 1.5 mm; CT-62 to CT-78: 2.0 mm; CT-80 to CT-91: 2.5 mm) for versatile mounting of built-in components.



Mounting rails

conforming to standards TS15 or TS32 and TS 35 made from steel; surface treated for accepting terminal blocks.



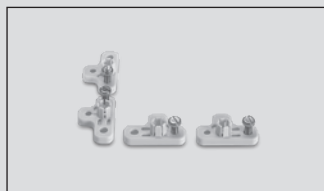
Terminal blocks

of all renowned manufacturers are used.



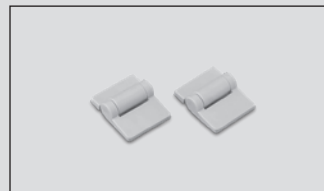
Earthing bars

made from galvanised steel for combining and connecting PE conductors.



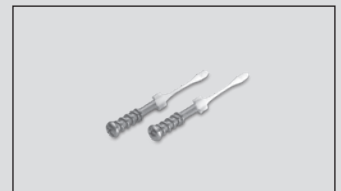
External mounting brackets

made from polycarbonate for mounting enclosures without opening the covers. Different bracket arrangement options offset by 90°. Colour RAL 7035.



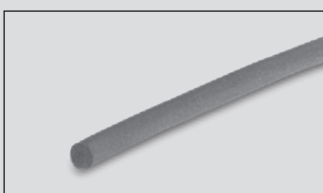
External articulated hinges

made from polycarbonate for hinged mounting of enclosure cover. Opening range of cover approx. 195°, latching at 170°, articulated hinges are simply pressed into holes (CT-88: secured by screws).



Flexible quick-release fastener/internal articulated hinges

for captive mounting and strain relief for enclosure cover. Cover opening range > 180°. Stainless steel with injection-moulded polyamide ends.



Silicon, EPDM or HF seal

with increased temperature resistance (see indications left side) or to protect sensitive electronic equipment against high-frequency radiation (HF seal). If a HF seal is used, an additional coating of the inside of the enclosure is required.



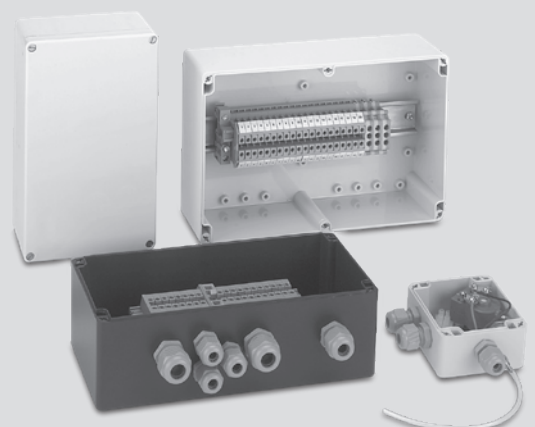
Brass press-in bushes

with metric fastening screws M3 (M4 on CT-88), for mounting built-in components with metric screws in the mounting bushes in the enclosure body.



Cable glands

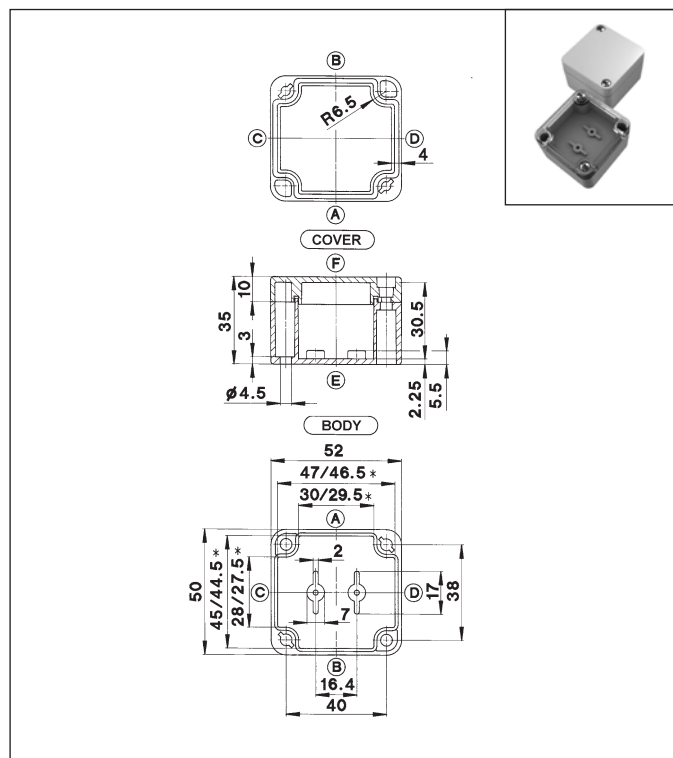
Euro-2000 (Euro-Top) screwed cable glands, plastic (polyamide 6, RAL 7035), including integrated strain relief. Sealing element NEOPRENE. Temperature range: -30°C bis +80°C (see also page 71). Other cable glands on demand.



Polycarbonate and ABS Enclosures – Series CT

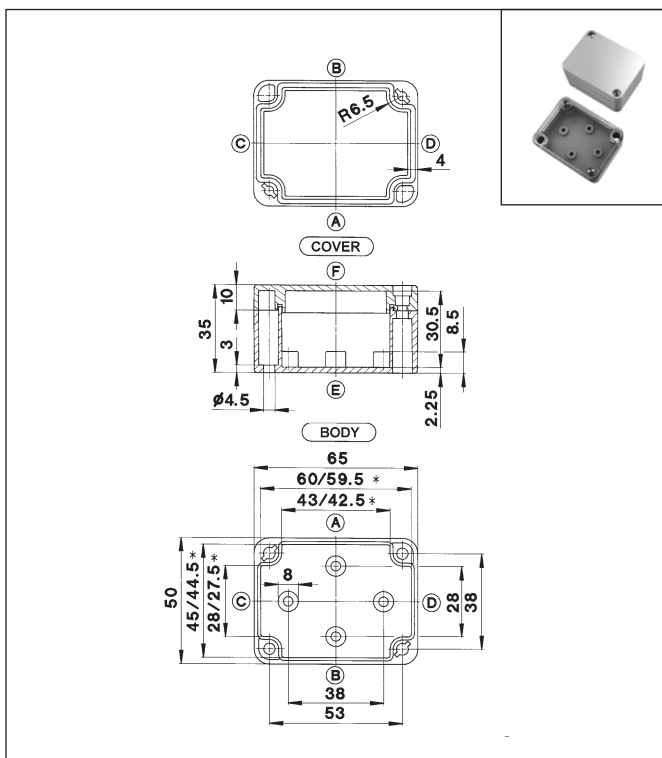
52 x 50 x 35 mm

CT-501 Polycarbonate enclosures
CT-502 ABS enclosures



65 x 50 x 35 mm

CT-521 Polycarbonate enclosures
CT-522 ABS enclosures



* Smaller dimension at mounting plate support

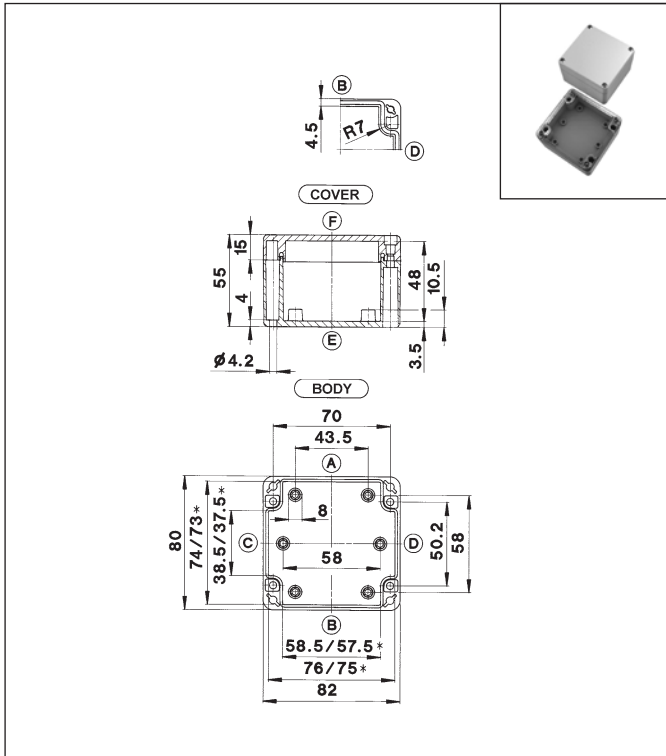
* Smaller dimension at mounting plate support

Type	CT-501 PC	CT-502 ABS
Weight (g)	40 (PC)	38 (ABS)
External dimension (mm)	52 x 50 x 35	
Ordering data Enclosure (painted) with seal (PUR)	Part number	
PC, with quick-release fastener	2500000000	
PC, with screw fastener	2500001000	
PC, with transparent cover (PC) and quick-release fastener	2501000000	
ABS, with quick-release fastener	3500000000	
ABS, with screw fastener	3500001000	
ABS, with transparent cover (PC) and quick-release fastener	3501000000	
Accessories (individual part or installation kit)		
Mounting plate	9512009000	
Mounting rail TS 15	-	
Mounting rail TS 32	-	
Mounting rail TS 35	-	
Earthing rail (secured on central bosses C/D)	-	
External mounting brackets	-	
External articulated hinges**	-	
Internal articulated hinges, flexible, for enclosure with quick-release fastener	-	
Silicone seal for extended temperature range (by the metre)	-	
Mounting bushes with 4 screws M3 x 8	-	
Maximum possible number of threads		
ISO M	12	16 20 25 32 40 50 63
Side A/B	1	0 0 0 0 0 0 0 0
Side C/D	1	0 0 0 0 0 0 0 0
** Enclosure preparation required		

Type	CT-521 PC	CT-522 ABS
Weight (g)	50 (PC)	47 (ABS)
External dimension (mm)	65 x 50 x 35	
Ordering data Enclosure (painted) with seal (PUR)	Part number	
PC, with quick-release fastener	2520000000	
PC, with screw fastener	2520001000	
PC, with transparent cover (PC) and quick-release fastener	2521000000	
ABS, with quick-release fastener	3520000000	
ABS, with screw fastener	3520001000	
ABS, with transparent cover (PC) and quick-release fastener	3521000000	
Accessories (individual part or installation kit)		
Mounting plate	9512010000	
Mounting rail TS 15	9820001000	
Mounting rail TS 32	-	
Mounting rail TS 35	-	
Earthing rail (secured on central bosses C/D)	-	
External mounting brackets	-	
External articulated hinges**	-	
Internal articulated hinges, flexible, for enclosure with quick-release fastener	-	
Silicone seal for extended temperature range (by the metre)	-	
Mounting bushes with 4 screws M3 x 8	9800025000	
Maximum possible number of threads		
ISO M	12	16 20 25 32 40 50 63
Side A/B	2	0 0 0 0 0 0 0 0
Side C/D	0	0 0 0 0 0 0 0 0
** Enclosure preparation required		

82 x 80 x 55 mm

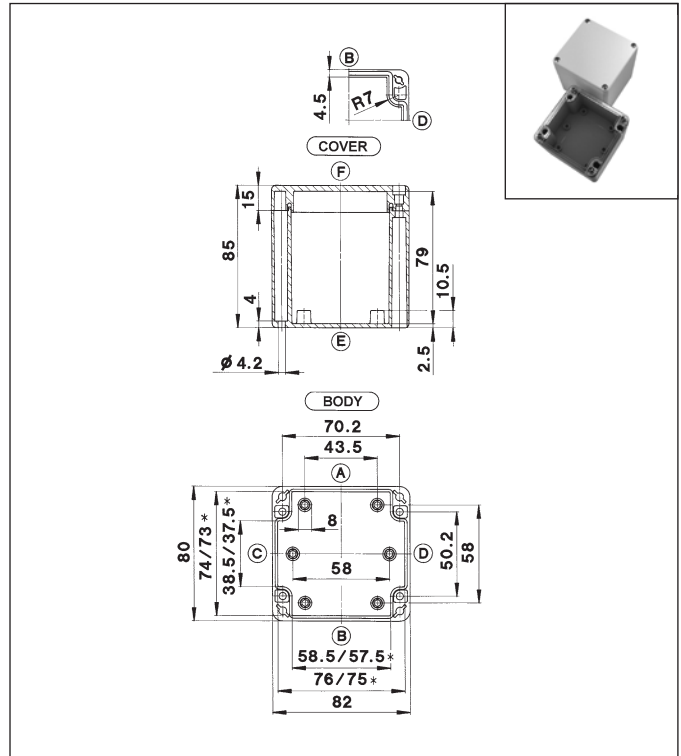
CT-541 Polycarbonate enclosures
CT-542 ABS enclosures



82 x 80 x 85 mm

CT-561 Polycarbonate enclosures
CT-562 ABS enclosures

CAD files available
at www.bernstein.eu



* Smaller dimension at mounting plate support

Type	CT-541 PC	CT-542 ABS
Weight (g)	140 (PC)	116 (ABS)
External dimension (mm)	82 x 80 x 55	
Ordering data Enclosure (painted) with seal (PUR)	Part number	
PC, with quick-release fastener	2540000000	
PC, with screw fastener	2540001000	
PC, with transparent cover (PC) and quick-release fastener	2541000000	
ABS, with quick-release fastener	3540000000	
ABS, with screw fastener	3540001000	
ABS, with transparent cover (PC) and quick-release fastener	3541000000	
Accessories (individual part or installation kit)		
Mounting plate	9512011000	
Mounting rail TS 15	9820004000	
Mounting rail TS 32	-	
Mounting rail TS 35	9822000000	
Earthing rail (secured on central bosses C/D)	-	
External mounting brackets	9802002000	
External articulated hinges**	9802025000	
Internal articulated hinges, flexible, for enclosure with quick-release fastener	9801076000	
Silicone seal for extended temperature range (by the metre)	on request	
Mounting bushes with 4 screws M3 x 8	9800025000	
Maximum possible number of threads		
ISO M	12	16 20 25 32 40 50 63
Side A/B	5	2 2 0 0 0 0 0
Side C/D	2	1 0 0 0 0 0 0

** Enclosure preparation required

* Smaller dimension at mounting plate support

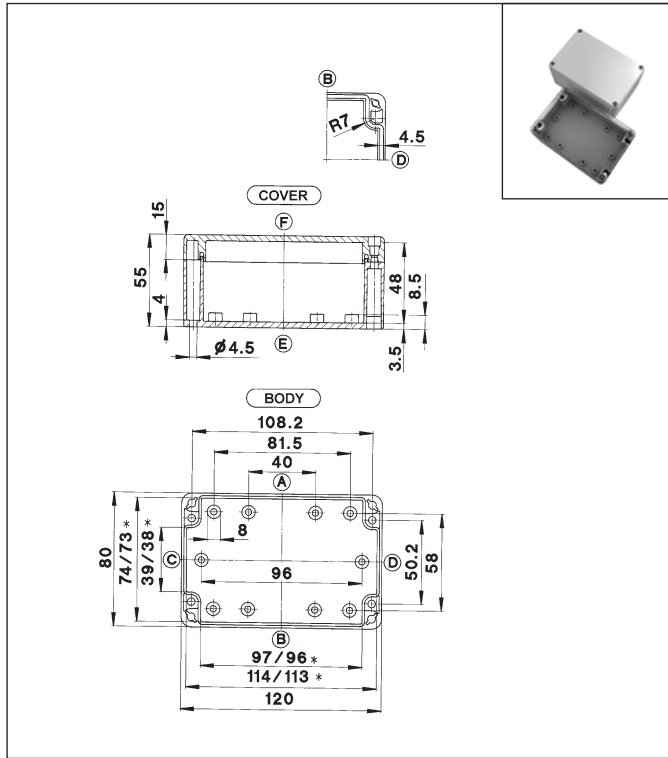
Type	CT-561 PC	CT-562 ABS
Weight (g)	175 (PC)	150 (ABS)
External dimension (mm)	82 x 80 x 85	
Ordering data Enclosure (painted) with seal (PUR)	Part number	
PC, with quick-release fastener	2560000000	
PC, with screw fastener	2560001000	
PC, with transparent cover (PC) and quick-release fastener	2561000000	
ABS, with quick-release fastener	3560000000	
ABS, with screw fastener	3560001000	
ABS, with transparent cover (PC) and quick-release fastener	3561000000	
Accessories (individual part or installation kit)		
Mounting plate	9512011000	
Mounting rail TS 15	9820004000	
Mounting rail TS 32	-	
Mounting rail TS 35	9822000000	
Earthing rail (secured on central bosses C/D)	-	
External mounting brackets	9802002000	
External articulated hinges**	9802025000	
Internal articulated hinges, flexible, for enclosure with quick-release fastener	9801076000	
Silicone seal for extended temperature range (by the metre)	on request	
Mounting bushes with 4 screws M3 x 8	9800025000	
Maximum possible number of threads		
ISO M	12	16 20 25 32 40 50 63
Side A/B	10	5 3 2 1 1 1 0
Side C/D	5	2 1 1 1 0 0 0

** Enclosure preparation required

Polycarbonate and ABS Enclosures – Series CT

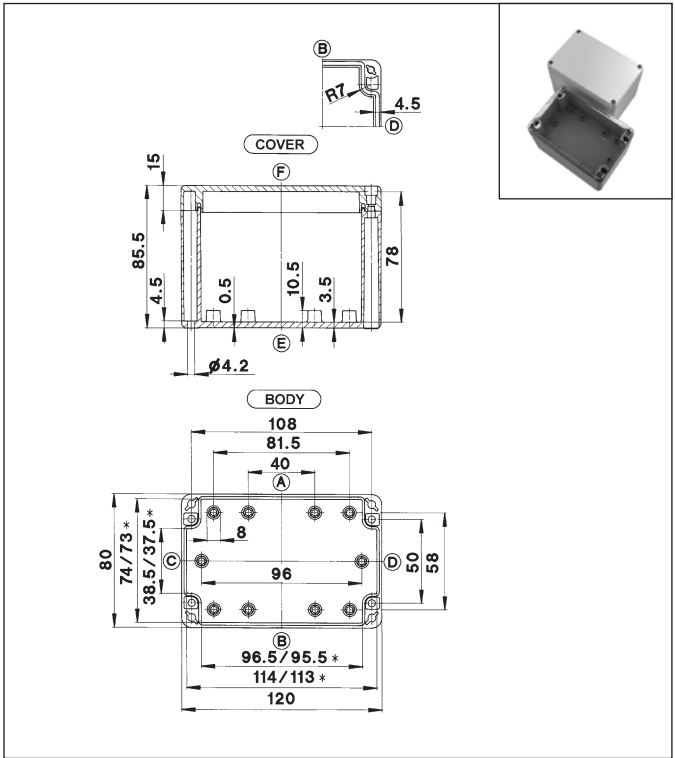
120 x 80 x 55 mm

CT-581 Polycarbonate enclosures
CT-582 ABS enclosures



120 x 80 x 85 mm

CT-601 Polycarbonate enclosures
CT-602 ABS enclosures



* Smaller dimension at mounting plate support

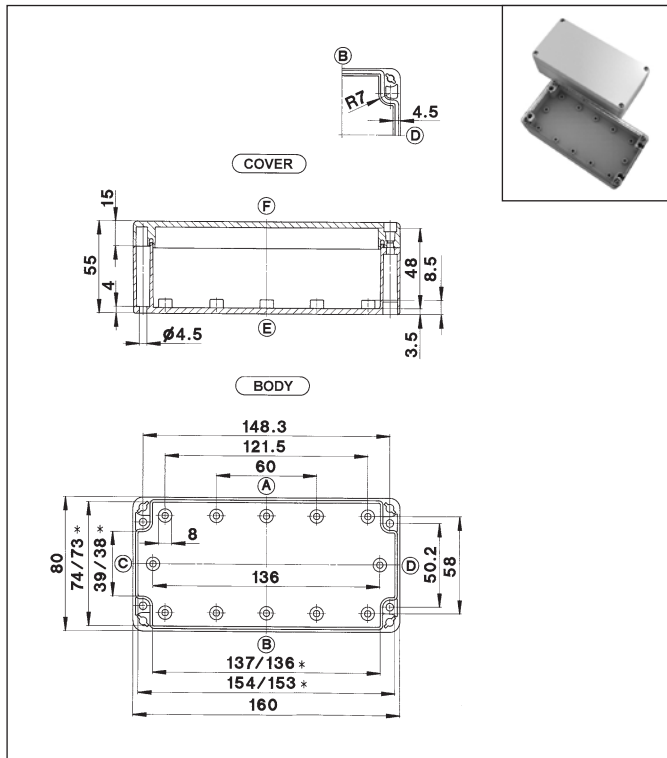
* Smaller dimension at mounting plate support

Type	CT-581 PC	CT-582 ABS
Weight (g)	180 (PC)	135 (ABS)
External dimension (mm)	120 x 80 x 55	
Ordering data Enclosure (painted) with seal (PUR)	Part number	
PC, with quick-release fastener	2580000000	
PC, with screw fastener	2580001000	
PC, with transparent cover (PC) and quick-release fastener	2581000000	
ABS, with quick-release fastener	3580000000	
ABS, with screw fastener	3580001000	
ABS, with transparent cover (PC) and quick-release fastener	3581000000	
Accessories (individual part or installation kit)		
Mounting plate	9512012000	
Mounting rail TS 15	9820009000	
Mounting rail TS 32	-	
Mounting rail TS 35	9822002000	
Earthing rail (secured on central bosses C/D)	9810001000	
External mounting brackets	9802002000	
External articulated hinges**	9802025000	
Internal articulated hinges, flexible, for enclosure with quick-release fastener	9801076000	
Silicone seal for extended temperature range (by the metre)	auf Anfrage	
Mounting bushes with 4 screws M3 x 8	9800040000	
Maximum possible number of threads		
ISO M	12	16 20 25 32 40 50 63
Side A/B	9	4 3 2 0 0 0 0
Side C/D	2	1 1 0 0 0 0 0
** Enclosure preparation required		

Type	CT-601 PC	CT-602 ABS
Weight (g)	225 (PC)	192 (ABS)
External dimension (mm)	120 x 80 x 85	
Ordering data Enclosure (painted) with seal (PUR)	Part number	
PC, with quick-release fastener	2600000000	
PC, with screw fastener	2600001000	
PC, with transparent cover (PC) and quick-release fastener	2601000000	
ABS, with quick-release fastener	3600000000	
ABS, with screw fastener	3600001000	
ABS, with transparent cover (PC) and quick-release fastener	3601000000	
Accessories (individual part or installation kit)		
Mounting plate	9512012000	
Mounting rail TS 15	9820009000	
Mounting rail TS 32	-	
Mounting rail TS 35	9822002000	
Earthing rail (secured on central bosses C/D)	9810001000	
External mounting brackets	9802002000	
External articulated hinges**	9802025000	
Internal articulated hinges, flexible, for enclosure with quick-release fastener	9801076000	
Silicone seal for extended temperature range (by the metre)	on request	
Mounting bushes with 4 screws M3 x 8	9800025000	
Maximum possible number of threads		
ISO M	12	16 20 25 32 40 50 63
Side A/B	15	6 6 3 2 1 1 0
Side C/D	5	2 1 1 1 0 0 0
** Enclosure preparation required		

160 x 80 x 55 mm

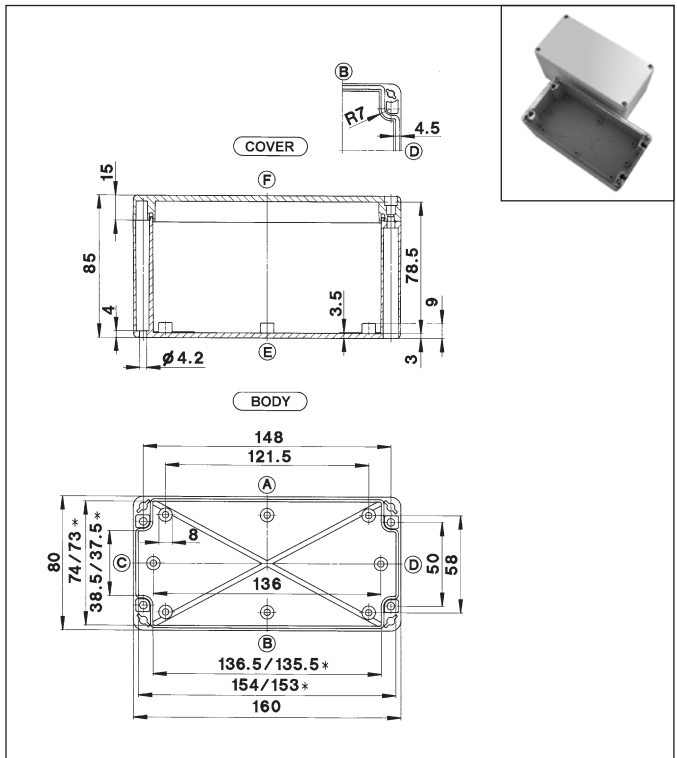
CT-621 Polycarbonate enclosures
CT-622 ABS enclosures



160 x 80 x 85 mm

CT-641 Polycarbonate enclosures
CT-642 ABS enclosures

CAD files available
at www.bernstein.eu



* Smaller dimension at mounting plate support

* Smaller dimension at mounting plate support

Type	CT-621 PC	CT-622 ABS
Weight (g)	225 (PC)	199 (ABS)
External dimension (mm)	160 x 80 x 55	
Ordering data Enclosure (painted) with seal (PUR)	Part number	
PC, with quick-release fastener	2620000000	
PC, with screw fastener	2620001000	
PC, with transparent cover (PC) and quick-release fastener	2621000000	
ABS, with quick-release fastener	3620000000	
ABS, with screw fastener	3620001000	
ABS, with transparent cover (PC) and quick-release fastener	3621000000	
Accessories (individual part or installation kit)		
Mounting plate	9512013000	
Mounting rail TS 15	9820013000	
Mounting rail TS 32	-	
Mounting rail TS 35	9822028000	
Earthing rail (secured on central bosses C/D)	9810005000	
External mounting brackets	9802002000	
External articulated hinges**	9802025000	
Internal articulated hinges, flexible, for enclosure with quick-release fastener	9801076000	
Silicone seal for extended temperature range (by the metre)	on request	
Mounting bushes with 4 screws M3 x 8	9800040000	
Maximum possible number of threads		
ISO M	12	16 20 25 32 40 50 63
Side A/B	11	5 4 3 0 0 0 0
Side C/D	2	1 1 0 0 0 0 0

** Enclosure preparation required

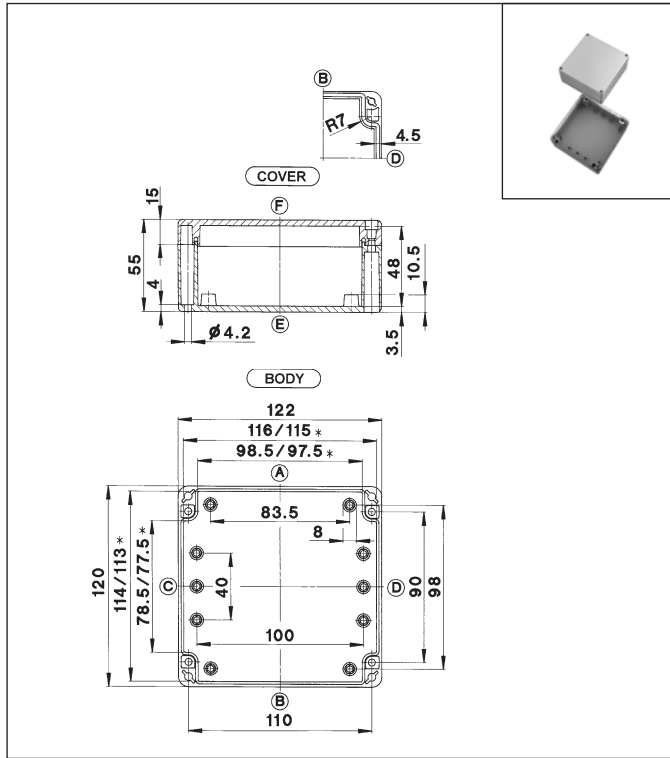
Type	CT-641 PC	CT-642 ABS
Weight (g)	240 (PC)	225 (ABS)
External dimension (mm)	160 x 80 x 85	
Ordering data Enclosure (painted) with seal (PUR)	Part number	
PC, with quick-release fastener	2640000000	
PC, with screw fastener	2640001000	
PC, with transparent cover (PC) and quick-release fastener	2641000000	
ABS, with quick-release fastener	3640000000	
ABS, with screw fastener	3640001000	
ABS, with transparent cover (PC) and quick-release fastener	3641000000	
Accessories (individual part or installation kit)		
Mounting plate	9512013000	
Mounting rail TS 15	9820013000	
Mounting rail TS 32	-	
Mounting rail TS 35	9822028000	
Earthing rail (secured on central bosses C/D)	9810005000	
External mounting brackets	9802002000	
External articulated hinges**	9802025000	
Internal articulated hinges, flexible, for enclosure with quick-release fastener	9801076000	
Silicone seal for extended temperature range (by the metre)	auf Anfrage	
Mounting bushes with 4 screws M3 x 8	9800025000	
Maximum possible number of threads		
ISO M	12	16 20 25 32 40 50 63
Side A/B	22	10 8 5 3 2 2 0
Side C/D	5	2 1 1 1 0 0 0

** Enclosure preparation required

Polycarbonate and ABS Enclosures – Series CT

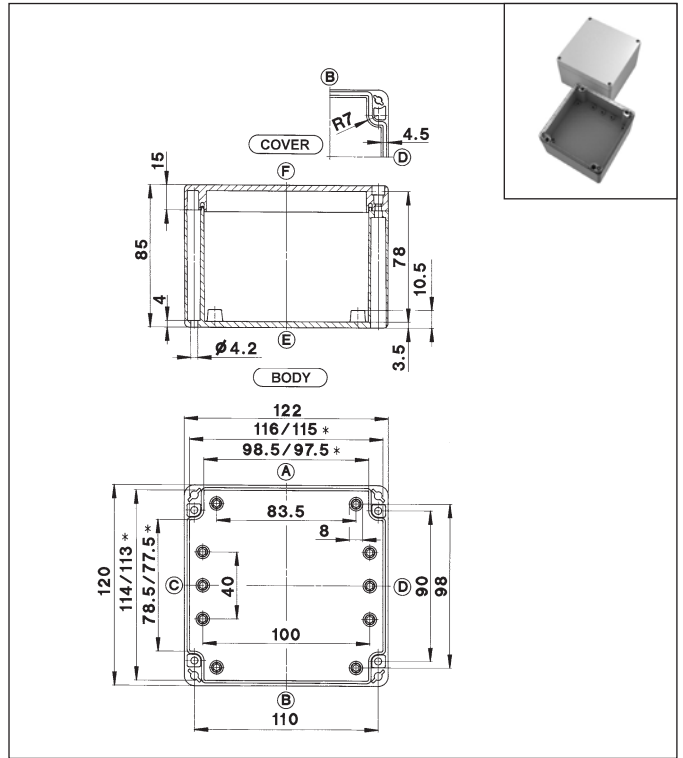
122 x 120 x 55 mm

CT-661 Polycarbonate enclosures
CT-662 ABS enclosures



122 x 120 x 85 mm

CT-681 Polycarbonate enclosures
CT-682 ABS enclosures



* Smaller dimension at mounting plate support

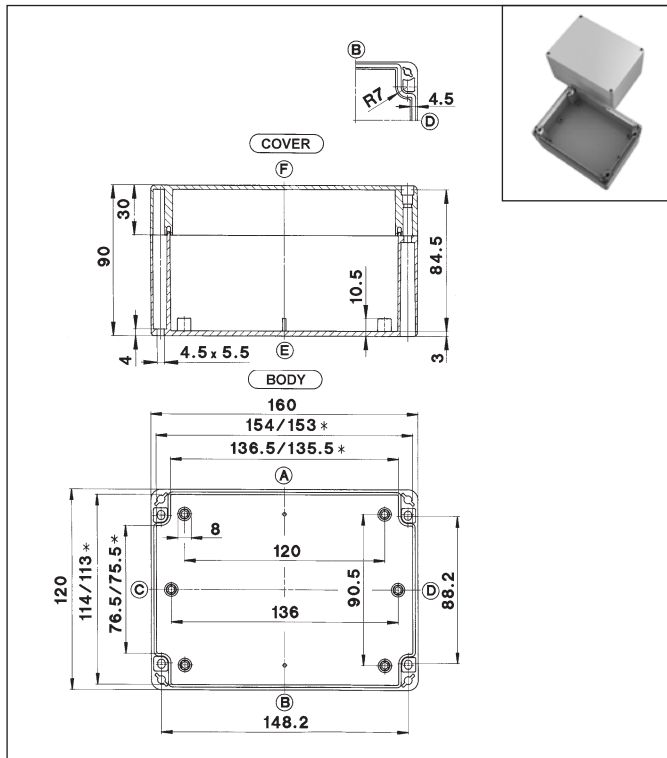
* Smaller dimension at mounting plate support

Type	CT-661 PC	CT-662 ABS
Weight (g)	240 (PC)	218 (ABS)
External dimension (mm)	122 x 120 x 55	
Ordering data Enclosure (painted) with seal (PUR)	Part number	
PC, with quick-release fastener	2660000000	
PC, with screw fastener	2660001000	
PC, with transparent cover (PC) and quick-release fastener	2661000000	
ABS, with quick-release fastener	3660000000	
ABS, with screw fastener	3660001000	
ABS, with transparent cover (PC) and quick-release fastener	3661000000	
Accessories (individual part or installation kit)		
Mounting plate	9512014000	
Mounting rail TS 15	9820008000	
Mounting rail TS 32	-	
Mounting rail TS 35	9822002000	
Earthing rail (secured on central bosses C/D)	9810003000	
External mounting brackets	9802002000	
External articulated hinges**	9802025000	
Internal articulated hinges, flexible, for enclosure with quick-release fastener	9801076000	
Silicone seal for extended temperature range (by the metre)	on request	
Mounting bushes with 4 screws M3 x 8	9800025000	
Maximum possible number of threads		
ISO M	12	16 20 25 32 40 50 63
Side A/B	9 4 3 2 0 0 0 0	
Side C/D	4 3 2 0 0 0 0 0	
** Enclosure preparation required		

Type	CT-681 PC	CT-682 ABS
Weight (g)	295 (PC)	269 (ABS)
External dimension (mm)	122 x 120 x 85	
Ordering data Enclosure (painted) with seal (PUR)	Part number	
PC, with quick-release fastener	2680000000	
PC, with screw fastener	2680001000	
PC, with transparent cover (PC) and quick-release fastener	2681000000	
ABS, with quick-release fastener	3680000000	
ABS, with screw fastener	3680001000	
ABS, with transparent cover (PC) and quick-release fastener	3681000000	
Accessories (individual part or installation kit)		
Mounting plate	9512014000	
Mounting rail TS 15	-	
Mounting rail TS 32	9821001000	
Mounting rail TS 35	9822002000	
Earthing rail (secured on central bosses C/D)	9810003000	
External mounting brackets	9802002000	
External articulated hinges**	9802025000	
Internal articulated hinges, flexible, for enclosure with quick-release fastener	9801076000	
Silicone seal for extended temperature range (by the metre)	on request	
Mounting bushes with 4 screws M3 x 8	9800025000	
Maximum possible number of threads		
ISO M	12	16 20 25 32 40 50 63
Side A/B	15 6 6 3 20 1 1 0	
Side C/D	10 3 3 2 1 0 0 0	
** Enclosure preparation required		

160 x 120 x 90 mm

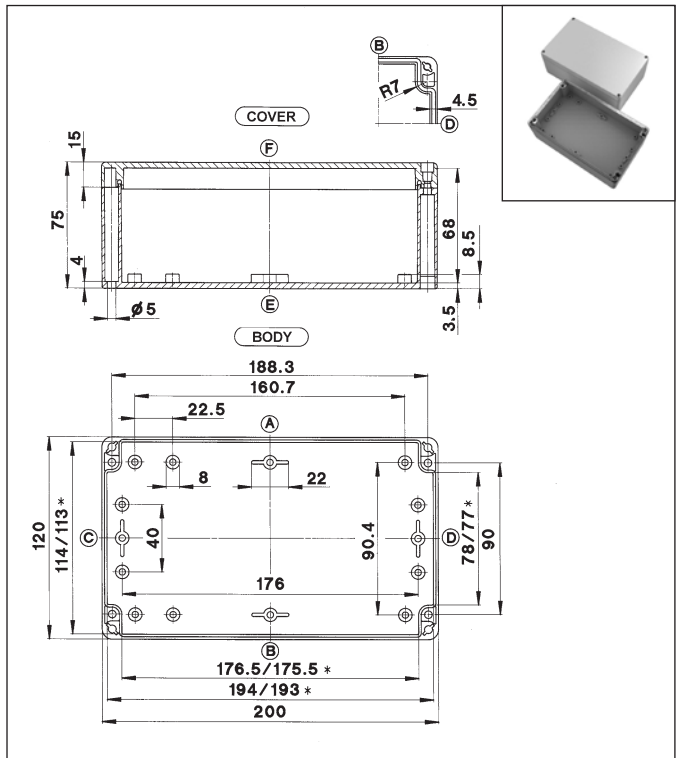
CT-721 Polycarbonate enclosures
CT-722 ABS enclosures



200 x 120 x 75 mm

CT-761 Polycarbonate enclosures
CT-762 ABS enclosures

CAD files available
at www.bernstein.eu



* Smaller dimension at mounting plate support

Type	CT-721 PC	CT-722 ABS
Weight (g)	360 (PC)	310 (ABS)
External dimension (mm)	160 x 120 x 90	
Ordering data Enclosure (painted) with seal (PUR)	Part number	
PC, with quick-release fastener	2720000000	
PC, with screw fastener	2720001000	
PC, with transparent cover (PC) and quick-release fastener	2721000000	
ABS, with quick-release fastener	3720000000	
ABS, with screw fastener	3720001000	
ABS, with transparent cover (PC) and quick-release fastener	3721000000	
Accessories (individual part or installation kit)		
Mounting plate	9512036000	
Mounting rail TS 15	-	
Mounting rail TS 32	9821025000	
Mounting rail TS 35	9822028000	
Earthing rail (secured on central bosses C/D)	9810040000	
External mounting brackets	9802002000	
External articulated hinges**	9802025000	
Internal articulated hinges, flexible, for enclosure with quick-release fastener	9801079000	
Silicone seal for extended temperature range (by the metre)	on request	
Mounting bushes with 4 screws M3 x 8	9800025000	
Maximum possible number of threads		
ISO M	12	16 20 25 32 40 50 63
Side A/B	18	10 7 3 3 0 0 0
Side C/D	9	5 2 2 1 0 0 0

** Enclosure preparation required

* Smaller dimension at mounting plate support

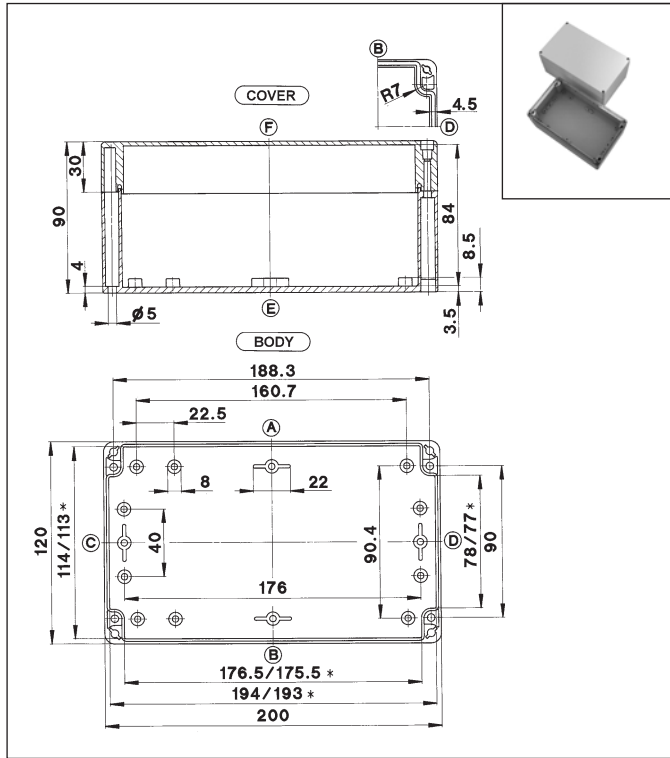
Type	CT-761 PC	CT-762 ABS
Weight (g)	400 (PC)	373 (ABS)
External dimension (mm)	200 x 120 x 75	
Ordering data Enclosure (painted) with seal (PUR)	Part number	
PC, with quick-release fastener	2760000000	
PC, with screw fastener	2760001000	
PC, with transparent cover (PC) and quick-release fastener	2761000000	
ABS, with quick-release fastener	3760000000	
ABS, with screw fastener	3760001000	
ABS, with transparent cover (PC) and quick-release fastener	3761000000	
Accessories (individual part or installation kit)		
Mounting plate	9512015000	
Mounting rail TS 15	-	
Mounting rail TS 32	9821004000	
Mounting rail TS 35	9822006000	
Earthing rail (secured on central bosses C/D)	9810006000	
External mounting brackets	9802002000	
External articulated hinges**	9802025000	
Internal articulated hinges, flexible, for enclosure with quick-release fastener	9801076000	
Silicone seal for extended temperature range (by the metre)	on request	
Mounting bushes with 4 screws M3 x 8	9800040000	
Maximum possible number of threads		
ISO M	12	16 20 25 32 40 50 63
Side A/B	26	12 8 5 3 0 0 0
Side C/D	10	5 2 2 1 0 0 0

** Enclosure preparation required

Polycarbonate and ABS Enclosures – Series CT

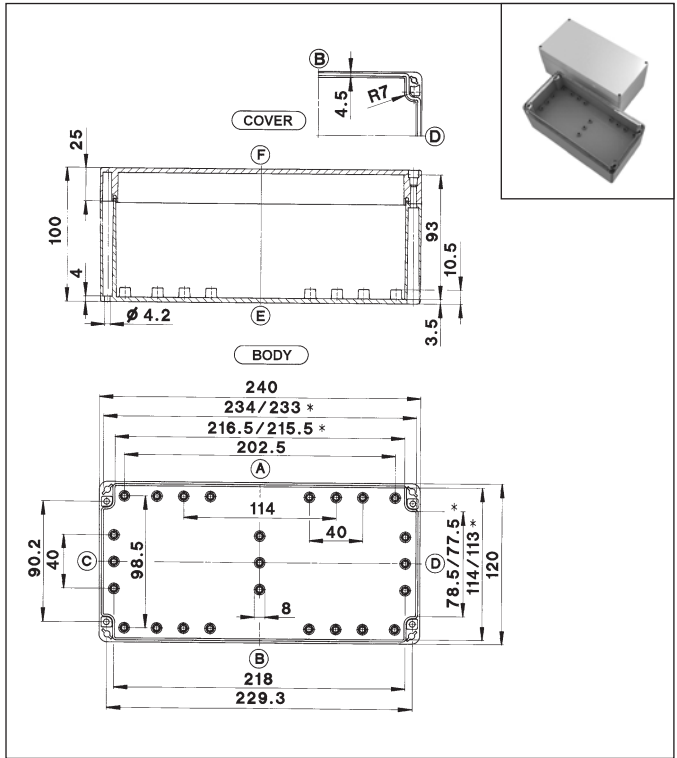
200 x 120 x 90 mm

CT-781 Polycarbonate enclosures
CT-782 ABS enclosures



240 x 120 x 100 mm

CT-801 Polycarbonate enclosures
CT-802 ABS enclosures



* Smaller dimension at mounting plate support

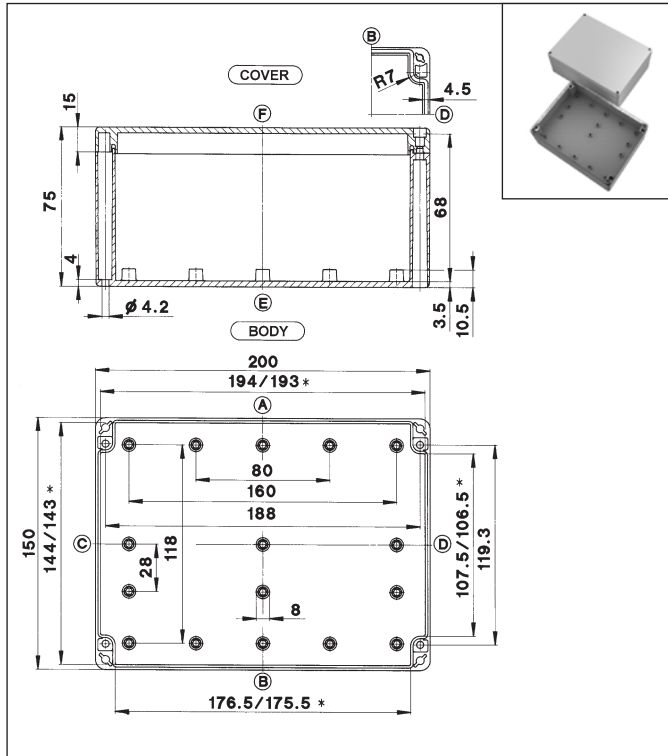
* Smaller dimension at mounting plate support

Type	CT-781 PC	CT-782 ABS
Weight (g)	420 (PC)	365 (ABS)
External dimension (mm)	200 x 120 x 90	
Ordering data Enclosure (painted) with seal (PUR)	Part number	
PC, with quick-release fastener	2780000000	
PC, with screw fastener	2780001000	
PC, with transparent cover (PC) and quick-release fastener	2781000000	
ABS, with quick-release fastener	3780000000	
ABS, with screw fastener	3780001000	
ABS, with transparent cover (PC) and quick-release fastener	3781000000	
Accessories (individual part or installation kit)		
Mounting plate	9512015000	
Mounting rail TS 15	-	
Mounting rail TS 32	9821004000	
Mounting rail TS 35	9822006000	
Earthing rail (secured on central bosses C/D)	9810006000	
External mounting brackets	9802002000	
External articulated hinges**	9802025000	
Internal articulated hinges, flexible, for enclosure with quick-release fastener	9801079000	
Silicone seal for extended temperature range (by the metre)	on request	
Mounting bushes with 4 screws M3 x 8	9800040000	
Maximum possible number of threads		
ISO M	12	16 20 25 32 40 50 63
Side A/B	26	12 8 5 3 0 0 0
Side C/D	10	5 2 2 1 0 0 0
** Enclosure preparation required		

Type	CT-801 PC	CT-802 ABS
Weight (g)	540 (PC)	478 (ABS)
External dimension (mm)	240 x 120 x 100	
Ordering data Enclosure (painted) with seal (PUR)	Part number	
PC, with quick-release fastener	2800000000	
PC, with screw fastener	2800001000	
PC, with transparent cover (PC) and quick-release fastener	2801000000	
ABS, with quick-release fastener	3800000000	
ABS, with screw fastener	3800001000	
ABS, with transparent cover (PC) and quick-release fastener	3801000000	
Accessories (individual part or installation kit)		
Mounting plate	9512016000	
Mounting rail TS 15	-	
Mounting rail TS 32	9821006000	
Mounting rail TS 35	9822008000	
Earthing rail (secured on central bosses C/D)	9810009000	
External mounting brackets	9802002000	
External articulated hinges**	9802025000	
Internal articulated hinges, flexible, for enclosure with quick-release fastener	9801078000	
Silicone seal for extended temperature range (by the metre)	on request	
Mounting bushes with 4 screws M3 x 8	9800025000	
Maximum possible number of threads		
ISO M	12	16 20 25 32 40 50 63
Side A/B	34	17 12 6 5 3 3 2
Side C/D	10	6 3 2 1 1 0 0
** Enclosure preparation required		

200 x 150 x 75 mm

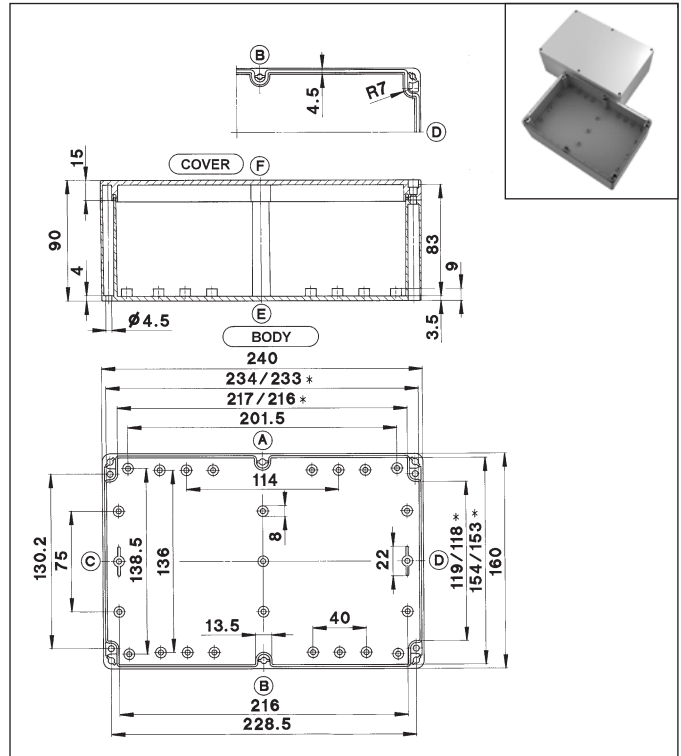
CT-821 Polycarbonate enclosures
CT-822 ABS enclosures



240 x 160 x 90 mm

CT-841 Polycarbonate enclosures
CT-842 ABS enclosures

CAD files available
at www.bernstein.eu



* Smaller dimension at mounting plate support

* Smaller dimension at mounting plate support

Type	CT-821 PC	CT-822 ABS
Weight (g)	475 (PC)	425 (ABS)
External dimension (mm)	200 x 150 x 75	
Ordering data Enclosure (painted) with seal (PUR)	Part number	
PC, with quick-release fastener	2820000000	
PC, with screw fastener	2820001000	
PC, with transparent cover (PC) and quick-release fastener	2821000000	
ABS, with quick-release fastener	3820000000	
ABS, with screw fastener	3820001000	
ABS, with transparent cover (PC) and quick-release fastener	3821000000	
Accessories (individual part or installation kit)		
Mounting plate	9512017000	
Mounting rail TS 15	-	
Mounting rail TS 32	9821017000	
Mounting rail TS 35	9822020000	
Earthing rail (secured on central bosses C/D)	9810006000	
External mounting brackets	9802002000	
External articulated hinges**	9802025000	
Internal articulated hinges, flexible, for enclosure with quick-release fastener	9801076000	
Silicone seal for extended temperature range (by the metre)	on request	
Mounting bushes with 4 screws M3 x 8	9800025000	
Maximum possible number of threads		
ISO M	12	16 20 25 32 40 50 63
Side A/B	22	12 9 5 3 0 0 0
Side C/D	12	6 3 2 2 0 0 0

** Enclosure preparation required

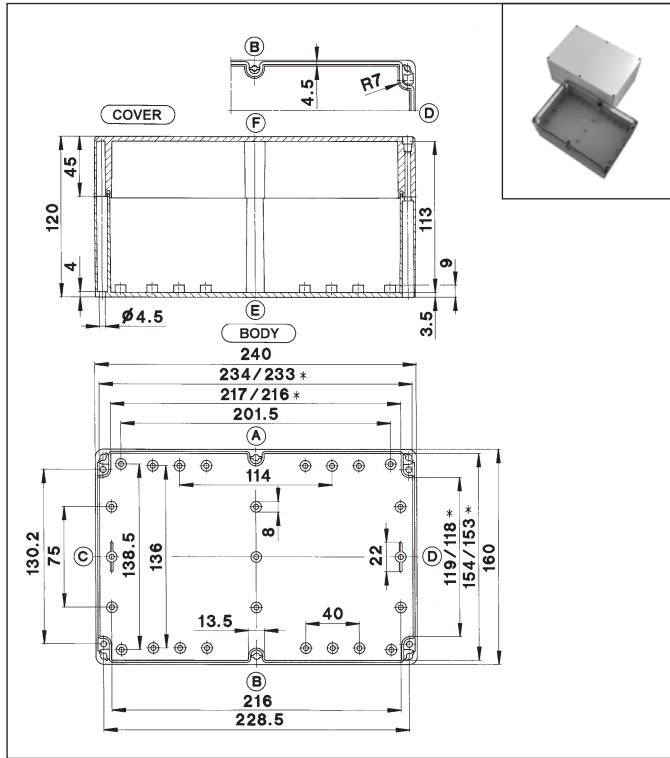
Type	CT-841 PC	CT-842 ABS
Weight (g)	650 (PC)	528 (ABS)
External dimension (mm)	240 x 160 x 90	
Ordering data Enclosure (painted) with seal (PUR)	Part number	
PC, with quick-release fastener	2840000000	
PC, with screw fastener	2840001000	
PC, with transparent cover (PC) and quick-release fastener	2841000000	
ABS, with quick-release fastener	3840000000	
ABS, with screw fastener	3840001000	
ABS, with transparent cover (PC) and quick-release fastener	3841000000	
Accessories (individual part or installation kit)		
Mounting plate	9512018000	
Mounting rail TS 15	-	
Mounting rail TS 32	9821006000	
Mounting rail TS 35	9822008000	
Earthing rail (secured on central bosses C/D)	9810009000	
External mounting brackets	9802002000	
External articulated hinges**	9802025000	
Internal articulated hinges, flexible, for enclosure with quick-release fastener	9801076000	
Silicone seal for extended temperature range (by the metre)	on request	
Mounting bushes with 4 screws M3 x 8	9800040000	
Maximum possible number of threads		
ISO M	12	16 20 25 32 40 50 63
Side A/B	36	16 12 8 4 2 2 2
Side C/D	17	8 5 3 2 2 1 0

** Enclosure preparation required

Polycarbonate and ABS Enclosures – Series CT

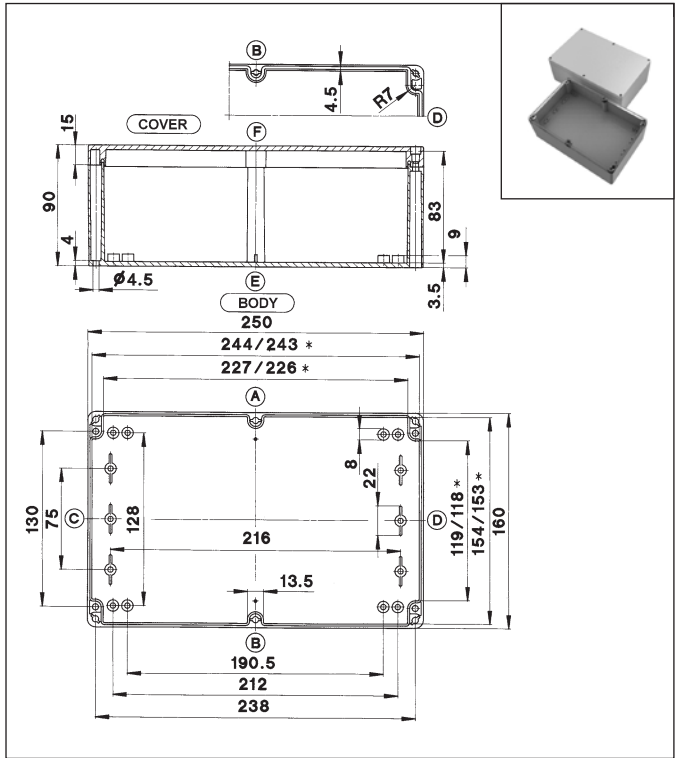
240 x 160 x 120 mm

CT-861 Polycarbonate enclosures
CT-862 ABS enclosures



250 x 160 x 90 mm

CT-901 Polycarbonate enclosures
CT-902 ABS enclosures



* Smaller dimension at mounting plate support

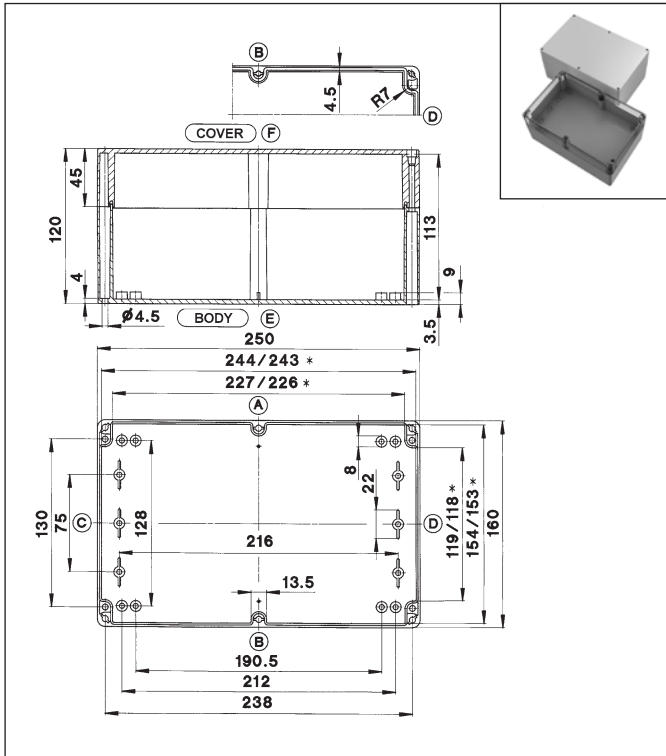
* Smaller dimension at mounting plate support

Type	CT-861 PC	CT-862 ABS
Weight (g)	785 (PC)	636 (ABS)
External dimension (mm)	240 x 160 x 120	
Ordering data Enclosure (painted) with seal (PUR)	Part number	
PC, with quick-release fastener	2860000000	
PC, with screw fastener	2860001000	
PC, with transparent cover (PC) and quick-release fastener	2861000000	
ABS, with quick-release fastener	3860000000	
ABS, with screw fastener	3860001000	
ABS, with transparent cover (PC) and quick-release fastener	3861000000	
Accessories (individual part or installation kit)		
Mounting plate	9512018000	
Mounting rail TS 15	-	
Mounting rail TS 32	9821006000	
Mounting rail TS 35	9822008000	
Earthing rail (secured on central bosses C/D)	9810009000	
External mounting brackets	9802002000	
External articulated hinges**	9802025000	
Internal articulated hinges, flexible, for enclosure with quick-release fastener	9801080000	
Silicone seal for extended temperature range (by the metre)	on request	
Mounting bushes with 4 screws M3 x 8	9800040000	
Maximum possible number of threads		
ISO M	12	16 20 25 32 40 50 63
Side A/B	36	16 12 8 4 2 2 2
Side C/D	17	8 5 3 2 2 1 0
** Enclosure preparation required		

Type	CT-901 PC	CT-902 ABS
Weight (g)	680 (PC)	550 (ABS)
External dimension (mm)	250 x 160 x 90	
Ordering data Enclosure (painted) with seal (PUR)	Part number	
PC, with quick-release fastener	2900000000	
PC, with screw fastener	2900001000	
PC, with transparent cover (PC) and quick-release fastener	2901000000	
ABS, with quick-release fastener	3900000000	
ABS, with screw fastener	3900001000	
ABS, with transparent cover (PC) and quick-release fastener	3901000000	
Accessories (individual part or installation kit)		
Mounting plate	9512187000	
Mounting rail TS 15	-	
Mounting rail TS 32	9821006000	
Mounting rail TS 35	9822008000	
Earthing rail (secured on central bosses C/D)	9810009000	
External mounting brackets	9802002000	
External articulated hinges**	9802025000	
Internal articulated hinges, flexible, for enclosure with quick-release fastener	9801076000	
Silicone seal for extended temperature range (by the metre)	on request	
Mounting bushes with 4 screws M3 x 8	9800040000	
Maximum possible number of threads		
ISO M	12	16 20 25 32 40 50 63
Side A/B	38	16 12 8 4 2 2 2
Side C/D	17	8 5 3 2 2 1 0
** Enclosure preparation required		

250 x 160 x 120 mm

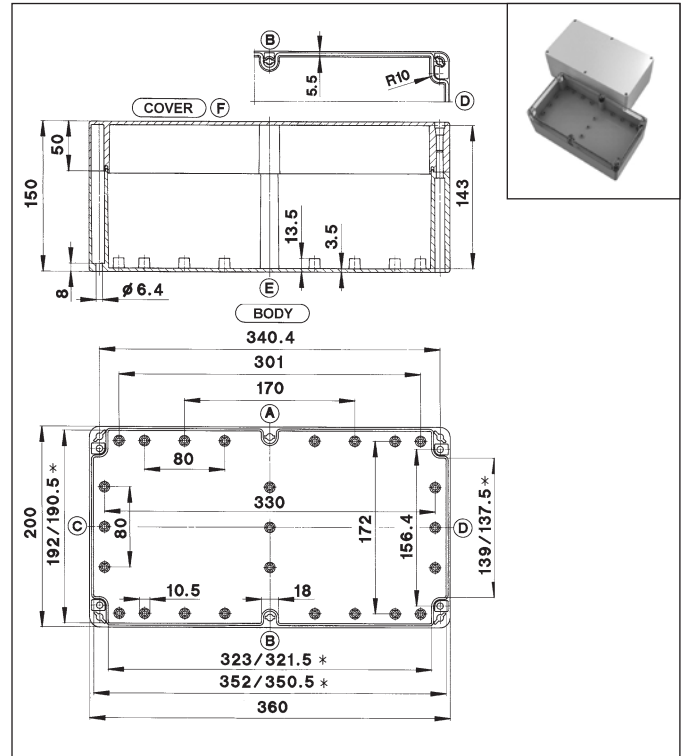
CT-911 Polycarbonate enclosures
CT-912 ABS enclosures



360 x 200 x 150 mm

CT-881 Polycarbonate enclosures
CT-882 ABS enclosures

CAD files available
at www.bernstein.eu



* Smaller dimension at mounting plate support

Type	CT-911 PC	CT-912 ABS
Weight (g)	830 (PC)	660 (ABS)
External dimension (mm)	250 x 160 x 120	
Ordering data Enclosure (painted) with seal (PUR)	Part number	
PC, with quick-release fastener	2910000000	
PC, with screw fastener	2910001000	
PC, with transparent cover (PC) and quick-release fastener	2911000000	
ABS, with quick-release fastener	3910000000	
ABS, with screw fastener	3910001000	
ABS, with transparent cover (PC) and quick-release fastener	3911000000	
Accessories (individual part or installation kit)		
Mounting plate	9512187000	
Mounting rail TS 15	-	
Mounting rail TS 32	9821006000	
Mounting rail TS 35	9822008000	
Earthing rail (secured on central bosses C/D)	9810009000	
External mounting brackets	9802002000	
External articulated hinges**	9802025000	
Internal articulated hinges, flexible, for enclosure with quick-release fastener	9801080000	
Silicone seal for extended temperature range (by the metre)	on request	
Mounting bushes with 4 screws M3 x 8	9800040000	
Maximum possible number of threads		
ISO M	12	16 20 25 32 40 50 63
Side A/B	38	16 12 8 4 2 2 2
Side C/D	17	8 5 3 2 2 1 0
** Enclosure preparation required		

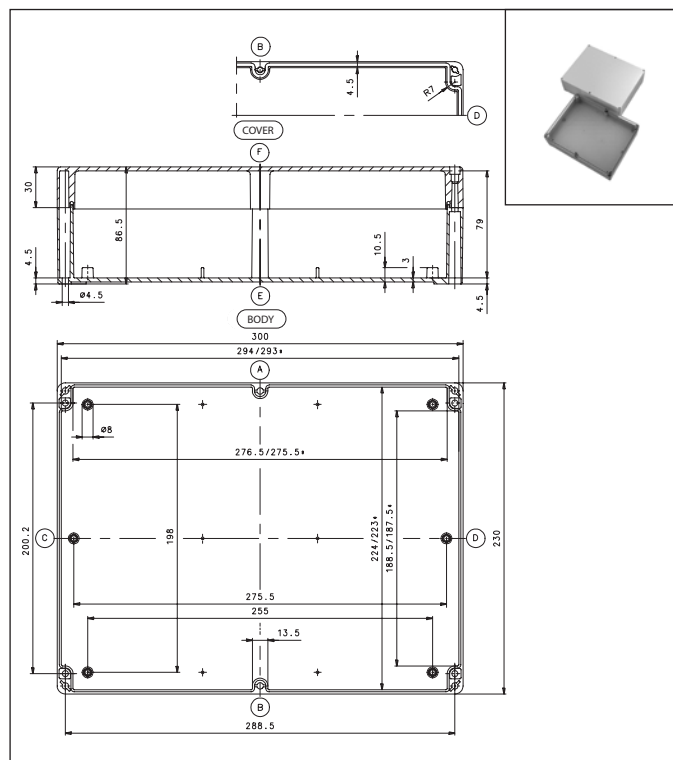
* Smaller dimension at mounting plate support

Type	CT-881 PC	CT-882 ABS
Weight (g)	1550 (PC)	1375 (ABS)
External dimension (mm)	360 x 200 x 150	
Ordering data Enclosure (painted) with seal (PUR)	Part number	
PC, with quick-release fastener	2880000000	
PC, with screw fastener	2880001000	
PC, with transparent cover (PC) and quick-release fastener	2881000000	
ABS, with quick-release fastener	3880000000	
ABS, with screw fastener	3880001000	
ABS, with transparent cover (PC) and quick-release fastener	3881000000	
Accessories (individual part or installation kit)		
Mounting plate	9512020000	
Mounting rail TS 15	-	
Mounting rail TS 32	9821013000	
Mounting rail TS 35	9822016000	
Earthing rail (secured on central bosses C/D)	9810034000	
External mounting brackets	-	
External articulated hinges**	9802026000	
Internal articulated hinges, flexible, for enclosure with quick-release fastener	-	
Silicone seal for extended temperature range (by the metre)	on request	
Mounting bushes with 4 screws M3 x 8	9800026000 (M4 x 8)	
Maximum possible number of threads		
ISO M	12	16 20 25 32 40 50 63
Side A/B	70	32 24 16 10 6 4 4
Side C/D	26	11 8 5 3 2 2 1
** Enclosure preparation required		

Polycarbonate and ABS Enclosures – Series CT

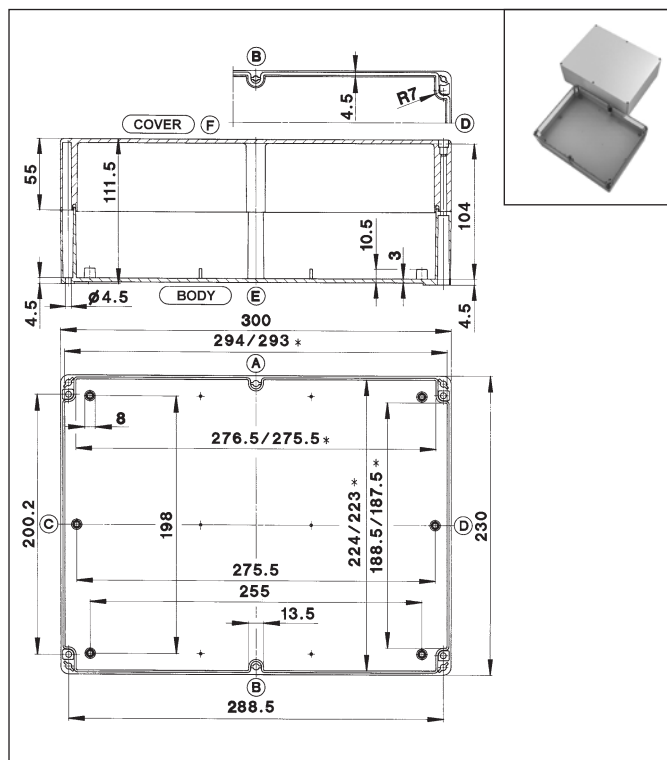
300 x 230 x 86 mm

CT-871 Polycarbonate enclosures
CT-872 ABS enclosures



300 x 230 x 110 mm

CT-891 Polycarbonate enclosures
CT-892 ABS enclosures



* Smaller dimension at mounting plate support

* Smaller dimension at mounting plate support

Type	CT-871 PC	CT-872 ABS
Weight (g)	915 (PC)	850 (ABS)
External dimension (mm)	300 x 230 x 86	
Ordering data Enclosure (painted) with seal (PUR)	Part number	
PC, with quick-release fastener	2870000000	
PC, with screw fastener	2870001000	
PC, with transparent cover (PC) and quick-release fastener	2871000000	
ABS, with quick-release fastener	3870000000	
ABS, with screw fastener	3870001000	
ABS, with transparent cover (PC) and quick-release fastener	3871000000	
Accessories (individual part or installation kit)		
Mounting plate	9512019000	
Mounting rail TS 15	-	
Mounting rail TS 32	9821010000	
Mounting rail TS 35	9822013000	
Earthing rail (secured on central bosses C/D)	9810012000	
External mounting brackets	9802002000	
External articulated hinges**	9802025000	
Internal articulated hinges, flexible, for enclosure with quick-release fastener	9801079000	
Silicone seal for extended temperature range (by the metre)	-	
Mounting bushes with 4 screws M3 x 8	9800025000	
Maximum possible number of threads		
ISO M	12	16 20 25 32 40 50 63
Side A/B	34	14 10 6 4 0 0 0
Side C/D	21	13 5 4 2 0 0 0
** Enclosure preparation required		

Type	CT-891 PC	CT-892 ABS
Weight (g)	1155 (PC)	1000 (ABS)
External dimension (mm)	300 x 230 x 110	
Ordering data Enclosure (painted) with seal (PUR)	Part number	
PC, with quick-release fastener	2890000000	
PC, with screw fastener	2890001000	
PC, with transparent cover (PC) and quick-release fastener	2891000000	
ABS, with quick-release fastener	3890000000	
ABS, with screw fastener	3890001000	
ABS, with transparent cover (PC) and quick-release fastener	3891000000	
Accessories (individual part or installation kit)		
Mounting plate	9512019000	
Mounting rail TS 15	-	
Mounting rail TS 32	9821010000	
Mounting rail TS 35	9822013000	
Earthing rail (secured on central bosses C/D)	9810012000	
External mounting brackets	9802002000	
External articulated hinges**	9802025000	
Internal articulated hinges, flexible, for enclosure with quick-release fastener	9801082000	
Silicone seal for extended temperature range (by the metre)	-	
Mounting bushes with 4 screws M3 x 8	9800025000	
Maximum possible number of threads		
ISO M	12	16 20 25 32 40 50 63
Side A/B	34	14 10 6 4 0 0 0
Side C/D	21	13 5 4 2 0 0 0
** Enclosure preparation required		