

LIGHTING

TEF 2460

PERIMETER LIGHT LED

ZONE 1, ZONE 2 & SAFE AREA

Subject to change without prior notice TPS4476 REV. D 06.11.2017



Tranberg luminaires are all designed for use in rough environments. It is the policy of Tranberg to provide products and services that meet the highest standards of quality in the industry and the performance needs and expectations of our customers. The design of Tranberg luminaires is based on many years of experience and extensive research in the field of professional Marine lighting. Carefully selected materials are used to ensure maximum performance, low maintenance and a long trouble free life.

TECHNICAL DATA

Material:	Hot-forged brass alloy with glass dome
Power consumption:	Model dependent, 4-5 W
Light output:	>30 cd. 0-10° >15 cd. 10-20° >3 cd. 20-90° <60 cd in all directions (According to ICAO Annex 14 Vol. II and CAP 437)
Service life:	50,000 hours
Weight:	4 kg.
IP rating:	IP 66/67
Cable entries:	2x M25x1,5 treaded cable entries
ATEX/Ex classification:	Ex eb mb op is IIC T5 Gb
For use in Zone:	Zone 1, zone 2 and safe area
T_{amb}:	-55°C to +55°C
Cable entries:	2 x M25 entries. Delivered with 2 x M25 cable glands, Ø11-20.1mm.

APPLICATION

- Perimeter lights on helideck, Onshore & Offshore. Green (100-254 V AC/ 24V DC) or red/green light (24V DC only)
- Zone 1, zone 2 and safe area

FEATURES AND BENEFITS

- Integrated terminal box with drain plug/breather
- Maintenance free
- Rugged construction
- Encapsulated electronics. No risk of water intrusion to LED's and electronics
- Instant light
- Resistant to vibrations

APPROVAL

IECEX Pre 14.0009
Presafe 14ATEX4571

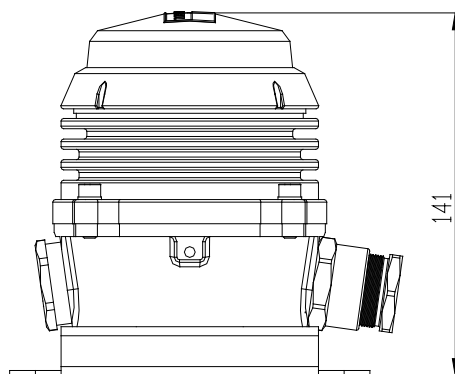
DESCRIPTION

	Part No.
Luminaire Green Omni-directional 30cd. 100-254V AC	2460 150
Luminaire Green Omni-directional 30cd. 24V \pm 30% DC	2460 152
Luminaire Green/Red Omni-directional 24V \pm 30% DC	2460 153

SPARE PARTS

	Part No.
Glass dome	50480032
Cable gland ATEX / IECEx	Acc. to cable dim.

DIMENSIONS



000A108346

