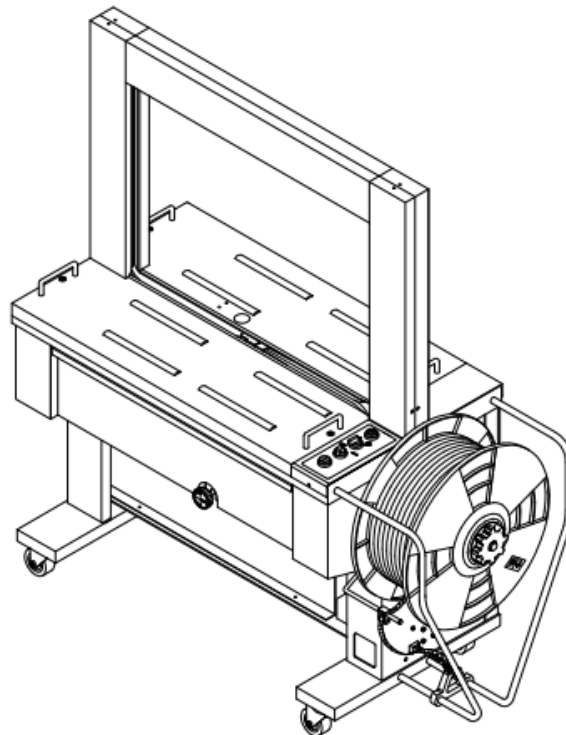


Motor M5-1 (T6-1-61211) Installation Guide for Automatic Polypropylene Strapping Machine

General Information

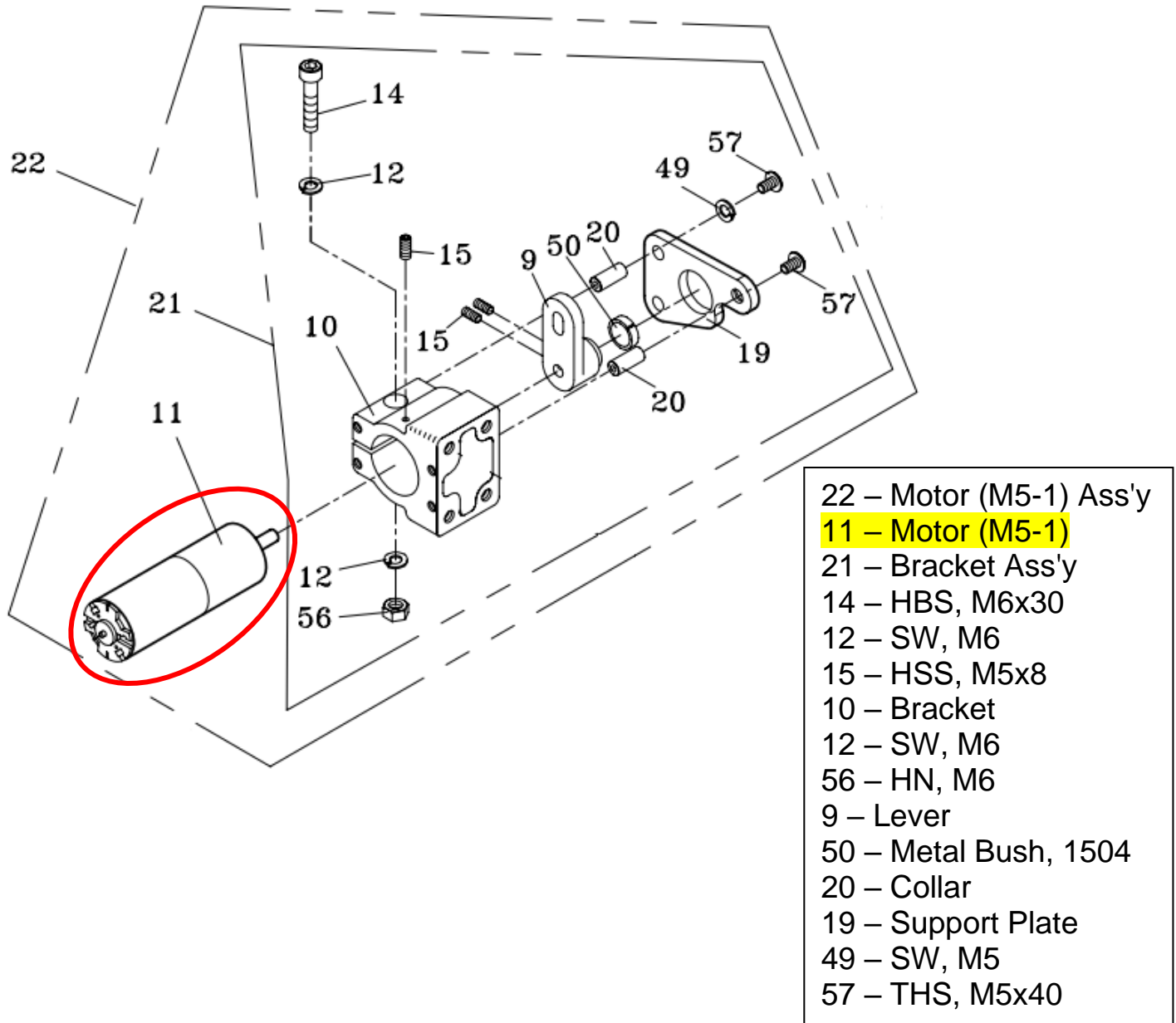
This document is a guide for Motor (M5-1) Assembly. Listed below are the machines which are compatible to the T6-1-61211 Motor (M5-1) spare part:

- TP-601D1
- TP-601D3
- TP-601L1
- TP-601L3

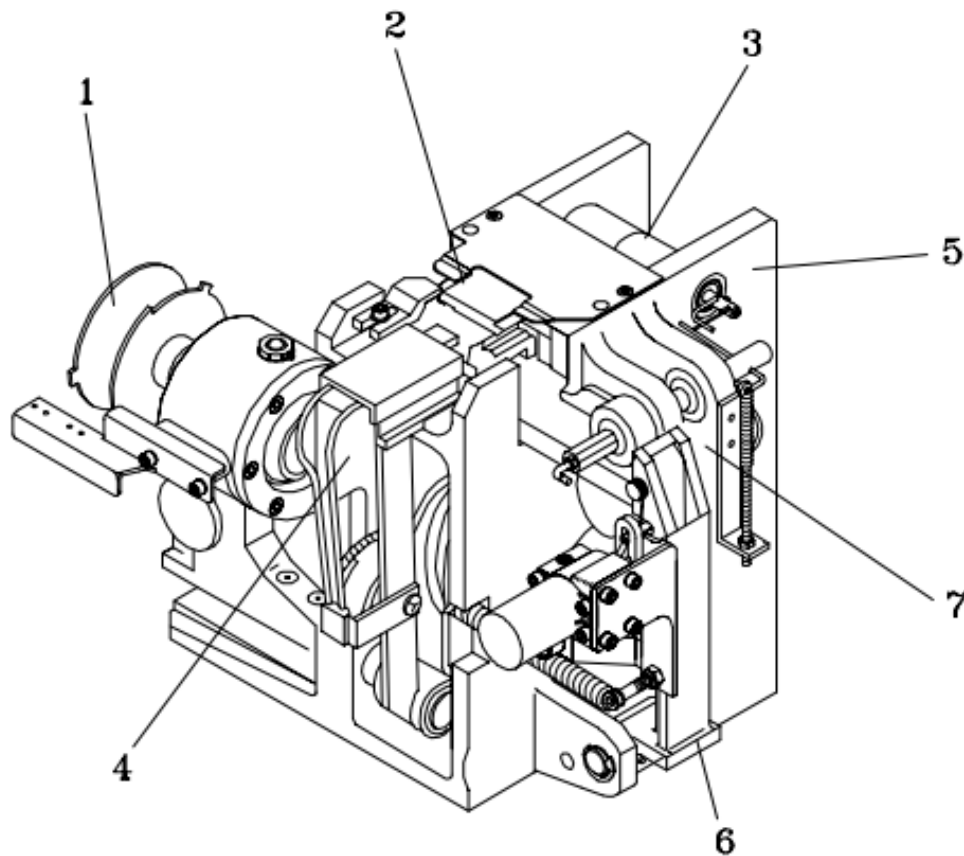


Spare Parts Assembly

T6-1-61211 Motor (M5-1) is a part for the Automatic Polypropylene Strapping Machine. The Motor (M5-1) is connected to the following spare parts:



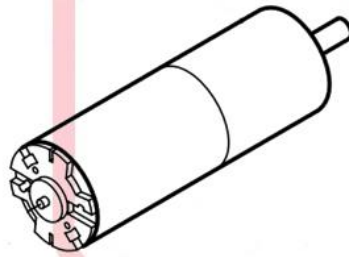
T6-1-61211 Motor (M5-1) is the new version of T6-1-61210 Motor (M5-1). It is installed and placed inside the Bracket Ass'y and Tension Arm Group (T6-1-61001). To install/replace the Heater Ass'y, start with taking out the body or casing of the machine. T6-1-61211 Motor (M5-1) should be gently slide inside the Bracket (T6-1-61200) and must be locked properly by fastening HBS, M6x30 using SW, M6 and HN, M6.



- 1 – Cam Group
- 2 – Slide Table Group
- 3 – Press Group
- 4 – Heater Group
- 5 – Strapping Head Group
- 6 – Tension Group
- 7 – Feed Group

[Disclaimer: It is not the responsibility of HBC/STEP for the service you perform and the choice and securing of skills needed by person doing the service.]

Images



© Copyright 2016 hallbrookcomponents.com

[T6-1-61211 Motor (M5-1) Drawing]



© Copyright 2016 hallbrookcomponents.com

[Actual Image]