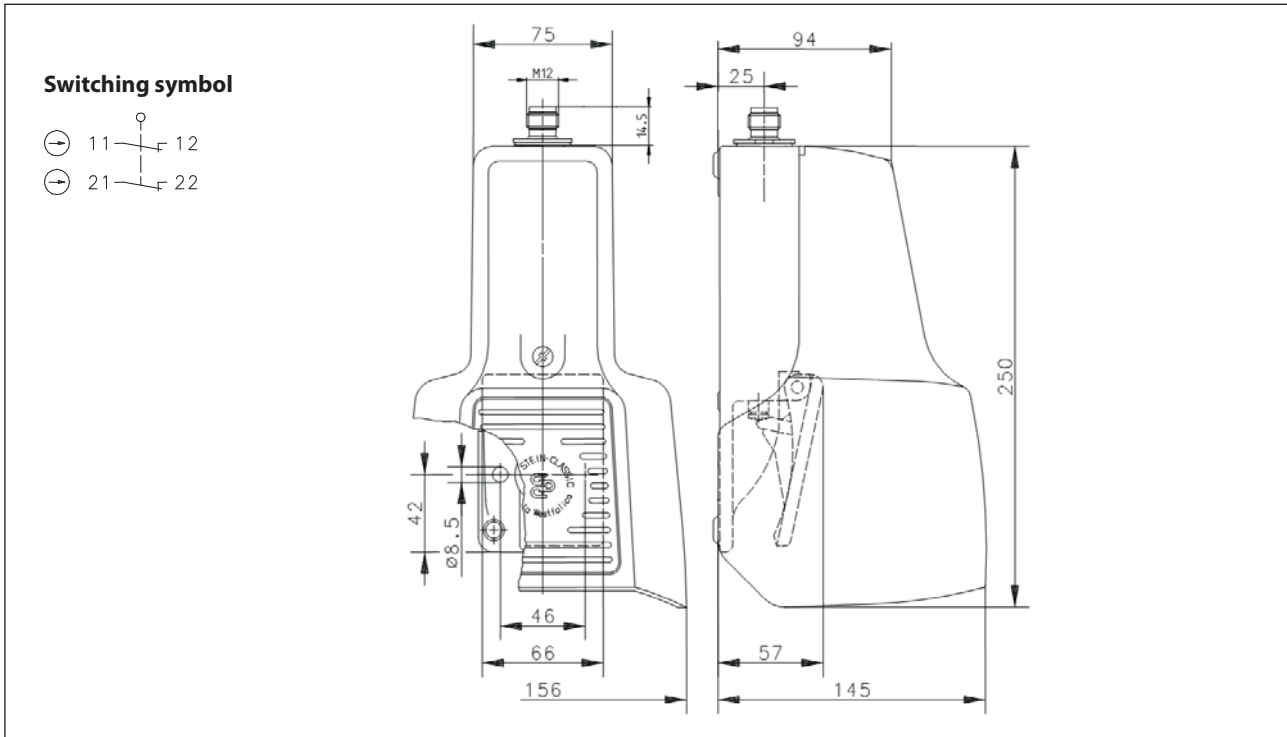


Foot-switch
Series F1 ASI UN

Description **ASI F1 UN**

Article number **6073700076**



Electrical data		
Operating voltage	U	18 ... 31,6 V; via AS-interface, reverse-polarity proof
Operating current	I	< 30 mA
AS-i Specifications		Profile S-0.B IO-Code: 0x0 ID-Code: 0xB ID-Code1: 0xF ID-Code2: 0xE
AS-i Inputs		Contact 1: Date bits D0/D1 = static 00 or dynamic code transmission Contact 2: Date bits D2/D3 = static 00 or dynamic code transmission
Parameterbits		no function
AS-i Adress		preset address: 0

Mechanical data	
Enclosure	AL, die-cast
Protective guard (Accident protection cover UN)	AL, die-cast
Actuator	Foot lever (PA)
Ambient air temperature	-25 °C to +70 °C
Contact type	2 N.C. (slow-action, Zb)
Operating force	≈ 10 N (pedal centre)
Mechanical life	1 x 10 ⁶ operating cycles
Switching frequency	max. 50/min
Assembly	2 x M8
Connection	Plug connector M12 male
Plug connection	1: AS-i + 2: free 3: AS-i - 4: free
Weight	≈ 1,5 kg
Protection type	IP65 in accordance with IEC/EN 60529

Regulations	
	VDE 0660 T100, DIN EN 60947-1, IEC 60947-1
	VDE 0660 T200, DIN EN 60947-5-1, IEC 60947-5-1
	EN 50295 , EN ISO 13849-1 , EN 62061

EU Conformity	
	acc. to directive 2014/30/EU (EMC-Directive)

ID for safety engineering	
Electronics	MTTFd = high PFH 2,49 x 10 ⁻¹⁰ 1/h
Mechanics	B10d 2 x 10 ⁶ cycles

Notes	
The specified protection classification (IP code) applies only when the cover is closed and the appropriate cable is used, in accordance with the clamping range of the above mentioned cable gland.	