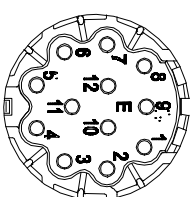
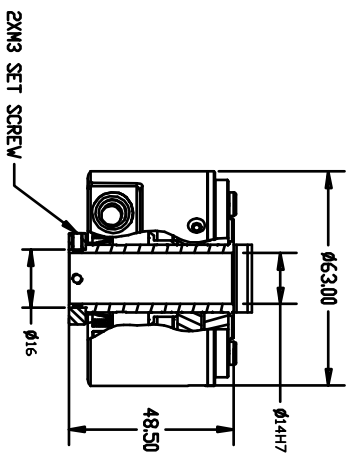
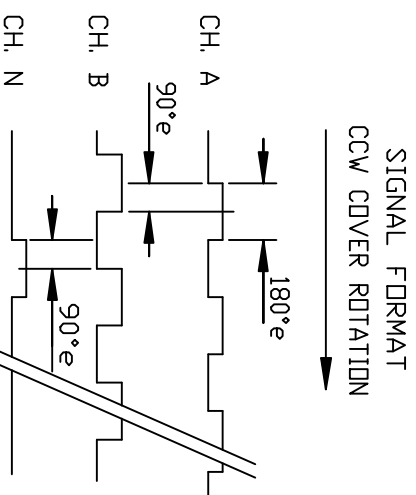


Shaft diameter: $\phi 14\text{mm}$
 Outside diameter: 63mm (with cover)
 Max mechanical RPM: 6000rpm₋₁
 Enclosure rating: IP64
 Operating temperature: $-40...+100\text{ }^{\circ}\text{C}$
 Storage temperature: $-40...+100\text{ }^{\circ}\text{C}$
 Vibration resistance: $20\text{g}=100\text{ m/s}^2$ (10...2000Hz)
 Shock resistance: $200\text{g}=1000\text{ m/s}^2$ (6ms)
 Supply voltage: DC $5\pm 10\%$ or DC 5-26V
 Output signal: TTL or HTL/PP compatible
 Incremental signal: A,B,Z and complimentary channels
 Resolution: 360, 1000, 1024, 2000, 2048, 3600, 4096, 5000
 Accuracy: ± 2.5 arc-mins,max,edge to any edge
 A and B phasing: A lead B 90° cw (view from encoder side)
 Index pulse width: 180° gated with B low
 Max. response frequency: 300kHz (data and index)
 Cable length: L = 40cm, 50cm, 70cm, 100cm, 5m, 10m



C2
 M23 male
 CW fastening connector



SIGNAL FORMAT
 CCW COVER ROTATION

C2	COLOR	FUNCTION
1	BLK	GND
2	RED	VCC
3	GRN	A
4	BLU	B
5	VO	Z
6	GRN/BLK	A
7	BLU/BLK	B
8	VO/BLK	Z
9	-	-
10	SHIELD	SHIELD

DWG, OUTLINE&SPEC, R164 OPT 11

TOLERANCES UNLESS INDICATED:	XXX	XX	X	ANGLES UNLESS SPECIFIED	FINISH	DIMENSIONS IN INCHES UNLESS SPECIFIED	TITLE
±	±	±	±	±	±	±	DWG, OUTLINE&SPEC, R164 OPT 11

FILE NAME:	702943-0003	SCALE:	NONE	COMPLIANCE REQUIRED:	DPCC
DRAWN:	YCM/AD	DATE:	05/15/13	APPLICATOR:	R164 OPT11
CHECKED:		DATE:	05/15/13	DWG. NO.	702943-0003
RELEASED:		DATE:	05/15/13	REV	-



© 2011 D.T.C. 'B' size