

Bellows suction cup (oval)

SAOB 80x40 NBR-60 G3/8-IG

Part no...:10.01.06.00906

<https://www.schmalz.com/10.01.06.00906>

Home > Vacuum Technology for Automation > Vacuum Components > Vacuum Suction Cups > Suction Cups for Handling Sheet Metal > Bellows Suction Cups SAOB HT2 (Oval, 1.5 Folds) > SAOB 80x40 NBR-60 G3/8-IG

Bellows suction cup (oval) for high dynamic on curved, oily surfaced workpieces



Dimensions (LxB): 80 x 40

Suction cup material: Nitrile rubber NBR

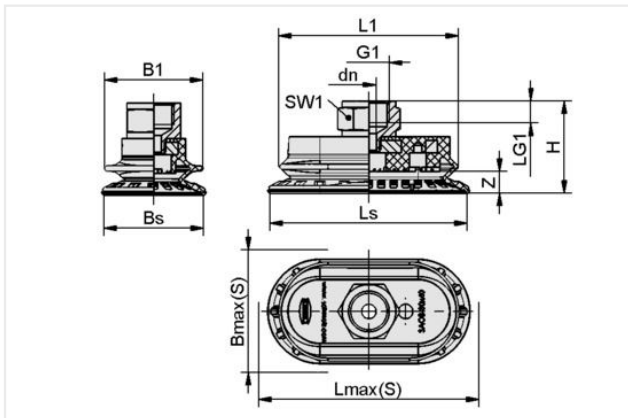
Material hardness [Shore A]: 60 Shore A

Nipple material: Nickel plated

Connection: G3/8-IG

Number of folds: 1.5

Design Data



Attribute	Value
B1	40 mm
Bmax(S)	43 mm
Bs	40.60 mm
dn	6 mm
G1	G3/8"-F
H	37.70 mm
L1	73.30 mm
LG1	9 mm
Lmax(S)	83 mm
Ls	80.60 mm
SW1	22 mm
Z (Stroke)	9 mm

Note: Acceptable dimensional tolerances for elastomer parts concerning to DIN ISO 3302-1 M3

Technical Data

Attribute	Value
Suction force (-600mbar)	65 N
Pull-off force	131.70 N
Lateral force	152.80 N
Lateral force (oily surface)	73.60 N
Volume	21.80 cm ³

Contact Schmalz

J. Schmalz GmbH | Johannes-Schmalz-Str.1, 72293 Glatten, Germany | +49 7443 2403-102 | customercenter@schmalz.de

Bellows suction cup (oval)

SAOB 80x40 NBR-60 G3/8-IG

Part no...:10.01.06.00906

<https://www.schmalz.com/10.01.06.00906>

Curve radius (min) (convex)	25 mm
Hose diameter (empf.) d	6 mm
Dimensions (LxB)	80 x 40
Suction cup material	Nitrile rubber NBR
Material hardness [Shore A]	60 Shore A
Number of folds	1.50
Weight	36.30 g
Product family	SAOB

Note: Suction force: The specified suction forces are theoretical values at a vacuum of -0.6 bar and with a dry, smooth and flat workpiece surface - they do not include a safety factor Lateral force: The specified lateral forces are values measured at a vacuum of -0.6 bar with a dry or oily, smooth, flat workpiece surface. Depending on the workpiece surface and its quality, the actual values may deviate from these values Hose diameter: The recommended hose diameter refers to a hose length of approx. 2 m