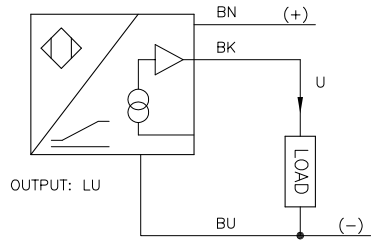
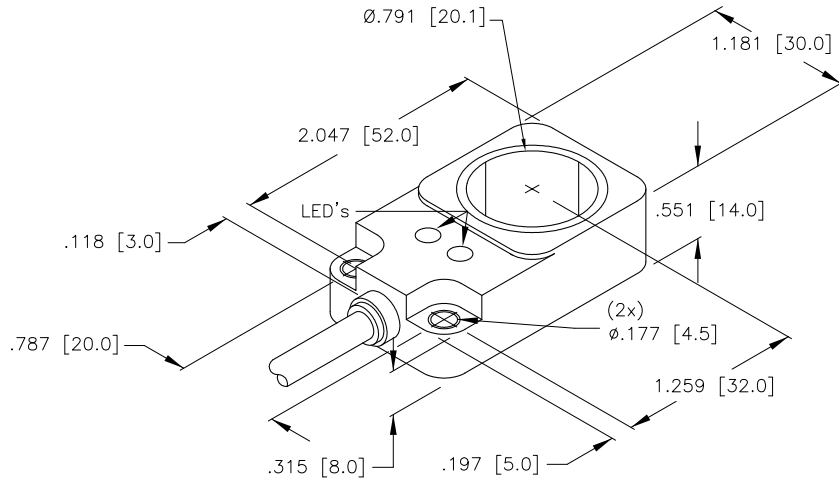


WIRING DIAGRAM



SHORT-CIRCUIT AND OVERLOAD PROTECTED



SPECIFICATIONS

MIN. REPEAT ACCURACY	≤1% OF MEASURING RANGE ≤0.5%, AFTER A HEATING PERIOD OF 0.5 H
REPRODUCIBILITY	≤10 μm ≤5 μm, AFTER A HEATING PERIOD OF 0.5 H
MAX. RELATIVE TEMPERATURE DRIFT	≤ ±0.06%/C°
OPERATING TEMPERATURE	-10°C to +70°C (-14°F to +158°F)
OPERATING VOLTAGE	15-30 VDC
RIPPLE	≤10%
NO-LOAD CURRENT	≤ 8 mA
RATED INSULATION VOLTAGE	≤ 0.5 kV
OUTPUT FUNCTION	3-WIRE, ANALOG
SHORT-CIRCUIT PROTECTED	YES
WIRE-BREAK PROTECTION	INCORPORATED
REVERSE POLARITY PROTECTION	INCORPORATED
VOLTAGE OUTPUT	0-10 V
VOLTAGE OUTPUT LOAD RESISTANCE	≥ 4.7 kΩ
READING RATE FREQUENCY	80 Hz
HOUSING MATERIAL	PLASTIC, PBT-GF30-VO
CABLE	ø5.2, Lifyy, PVC
CABLE LENGTH	2.0 METERS
VIBRATION RESISTANCE	55 Hz (IN ALL 3 PLANES)
SHOCK RESISTANCE	30 g, 11 ms
DEGREE OF PROTECTION	IP 67

RELATED DOCUMENTS 1. 2. 3. 4.	3RD ANGLE PROJECTION 	THIS DRAWING IS PROPERTY OF TURCK INC. USE OF THIS DOCUMENT WITHOUT WRITTEN PERMISSION IS PROHIBITED.		3000 CAMPUS DRIVE MINNEAPOLIS, MN 55441 1-800-544-7769 (763) 553-7300 (763) 553-0708 fax turck.com	
	MATERIAL PBT-GF30-VO PLASTIC HOUSING	ALL DIMENSIONS DISPLAYED ON THIS DRAWING ARE FOR REFERENCE ONLY CONTACT TURCK FOR MORE INFORMATION	DRFT RDS DSGN	DATE 10/06/03 SCALE NONE	DESCRIPTION B120R-Q14-LU
FINISH	UNIT OF MEASUREMENT INCH [MILLIMETER]		IDENTIFICATION NO. M1535546		REV A
DO NOT SCALE THIS DRAWING		FILE: M1535546		SHEET 1 OF 1	

A	DRAWING RELEASE	CBM	10/08/03	
REV	DESCRIPTION	BY	DATE	ECO NO.