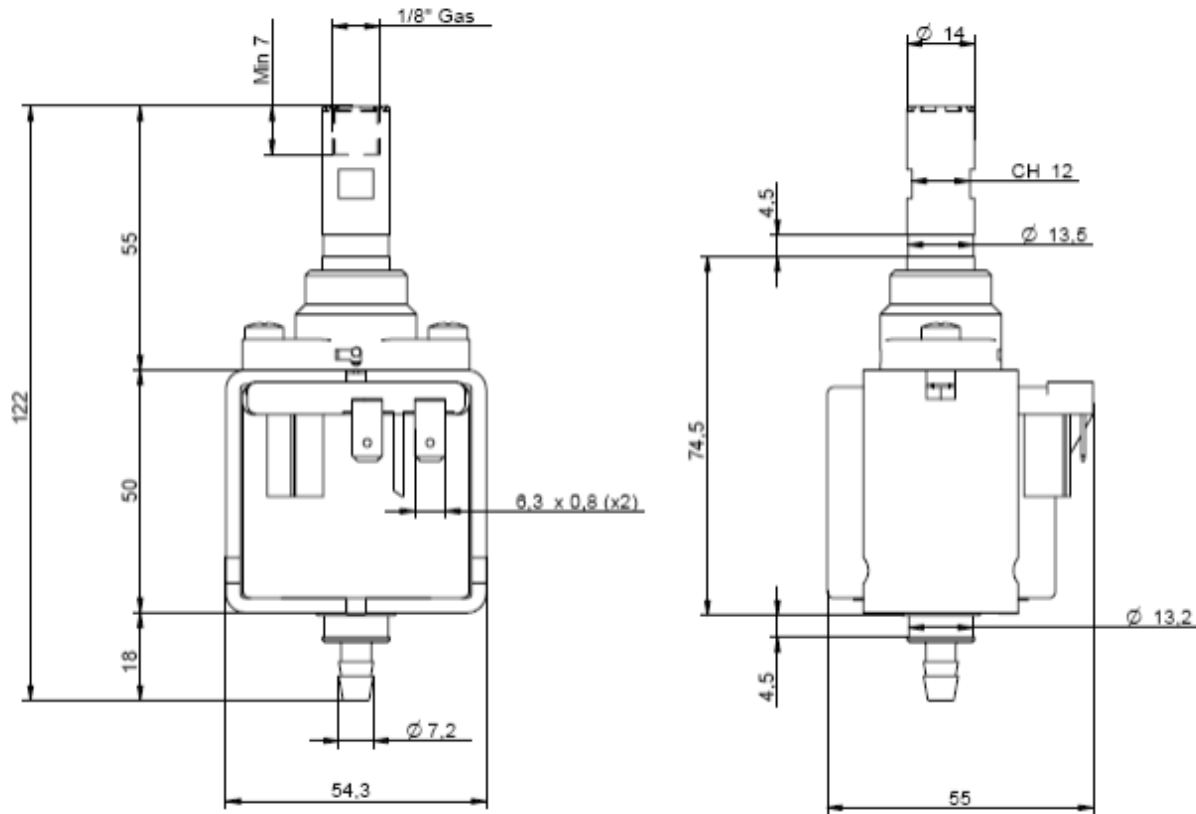


### Family Pump E – High Pressure



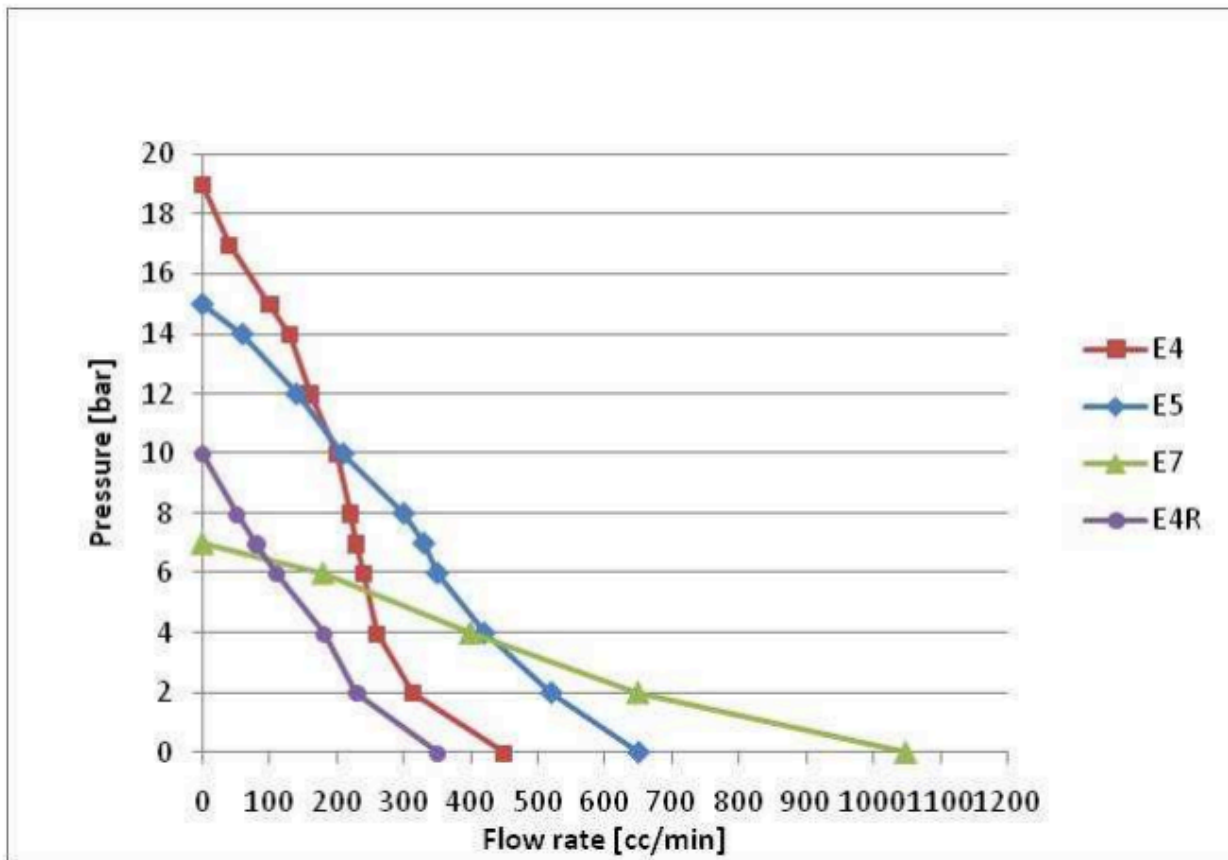
- Class: see table below
- Electrical insulation: Class II
- ED: see table below
- Diode Integrated (except for 24V)

Description	Technical Data	
	Body Material	PA66/POM
	Seal Material	NBR (OTHER MATERIAL AVAILABLE ON REQUEST)
	Electrical Connection	6,3 x 0,8 Fast-On Terminal
	Insulation Class	F

All types of pumps are designed and tested using water as the fluid. We do not recommend stocks long and/or high storage temperatures above pump without water inside: in these cases, we suggest that you contact our technical department for advice in this regard to prevent malfunction of the pump.

For the outlet fitting plastic (EP version), an indication of the thread G 1/8" is indicative and cannot be subjected to control according the UNI EN ISO 228/2; the seal is not guaranteed by the thread, but by the sealing.

Pressure [bar]	Average Flow Rate [cc/min]			
	E4	E5	E7	E4R
0	450	650	1050	350
2	315	520	650	230
4	260	420	400	180
6	240	350	180	110
7	230	330	0	80
8	220	300	---	50
10	200	210	---	0
12	160	140	---	---
14	130	60	---	---
15	100	0	---	---
17	40	---	---	---
19	0	---	---	---



Type E					
Model	Voltages	ON/OFF	Class	W	Certificates
EP4, EP5, EP7, EX4, EX5, EX7, EP4GW, EP5GW, EP7GW, EX4GW, EX5GW, EX7GW	240V~50Hz	2/1	F	48	IMQ
	230V~50Hz	2/1	F	48	IMQ/VDE
	220V~50Hz	2/1	F	48	IMQ
	200V~50-60Hz	2/1	F	48	
EAP4, EAP5, EAP7, EAX4, EAX5, EAX7	220V~60Hz	1/2	A	64	c-UL
	120V~60Hz	1/1,5	A	52	c-UL
EFP4, EFP5, EFP7, EFX4, EFX5, EFX7	120V~60Hz	2/1	F	52	c-UL
EP4, EP5, EP7, EX4, EX5, EX7	120V~60Hz	1/1	A	41	c-UL
EP4, EP5, EP7, EX4, EX5, EX7, EP4GW, EP5GW, EP7GW, EX4GW, EX5GW, EX7GW	100V~50-60Hz	2/1	F	55	
	24V~50-60Hz	2/1	F	48	