

TA 80 series

Steel filler plug and air filter up to 550 l/min



TA 80 GENERAL INFORMATION

Technical data

Air breathers & Filler plugs

Steel filler plug and air filter Flow rates up to 550 l/min

TA80 is a range of metal air breathers and filler caps for protection of the tank against the solid contamination contained into the air and filling of the fluid into the systems during the commissioning and maintenance procedures.

They are directly fitted on the tank. The robust design allows the use of these filters in any heavy-duty application.

Available features:

- Male threaded connections up to 3/4" and flanged connection with bayonet, for a maximum flow rate of 550 l/min
- Fine cellulose filtration, to get a good cleanliness level into the reservoir
- Pressurization valve with different setting, to guarantee a positive pressure into the tank in any application with metal or plastic tanks
- Padlock tab, to secure the air breather to the tank
- Filling basket, to hold the coarse contamination contained into the fluid and to diffuse the fluid flow into the tank

Common applications:

- Hydraulic systems
- Mobile machines
- Industrial equipment

Flow rate Δp 0.02 bar

| TA80 | Flow rate [l/min] | |
|------|----------------------|-----|
| | Filtration rating 03 | 10 |
| | 450 | 550 |

Materials

- Cover: Chrome Plated steel
- Filter element: Resin impregnated paper, Polyurethane
- Pressurization valve: Polyamide (bodies), Galvanized steel (end cap - disk), Steel (spring), NBR (seals)
- Flange and anti-splash feature: Galvanized steel
- Seals: NBR
- Screws, Flange: Galvanized steel
- Chain, Ring: Brass
- Basket (only TA80B): Galvanized steel

Temperature

From -25 °C to +100 °C

Weight

L 80 mm 0.33 kg
L 100 mm 0.35 kg

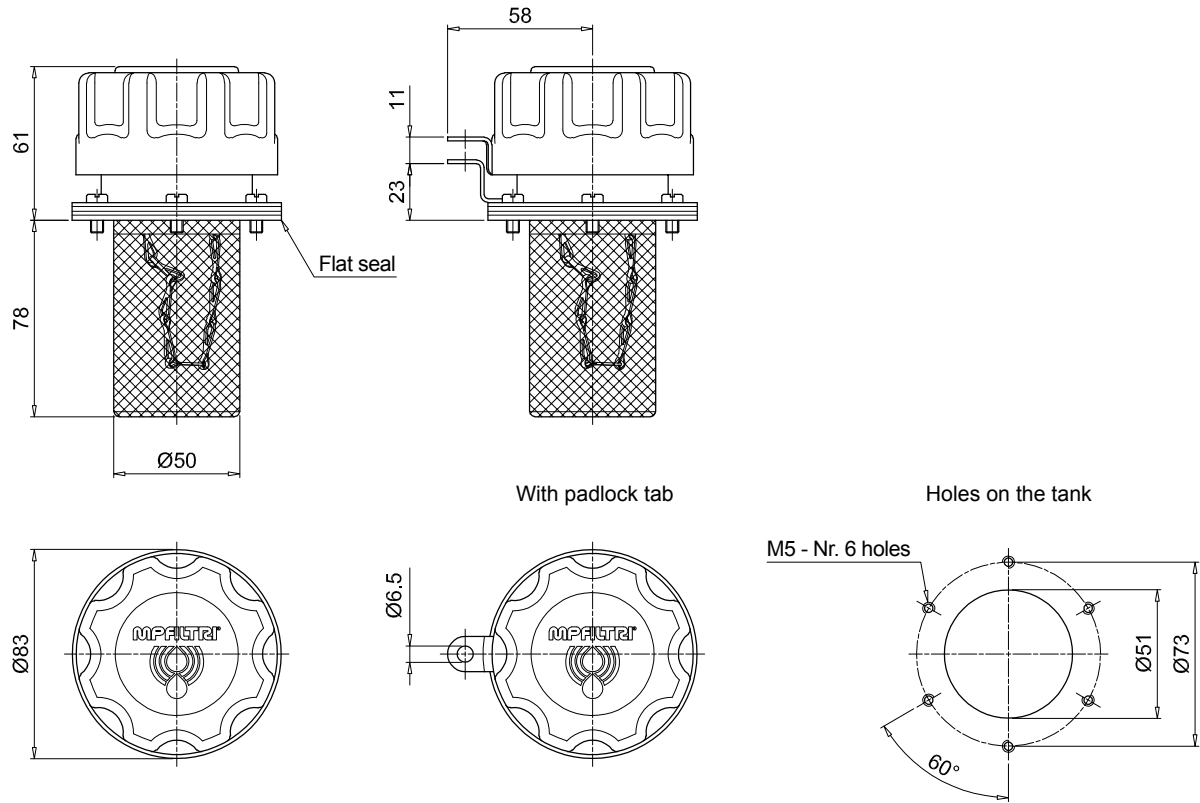


Designation & Ordering code

COMPLETE FILLER PLUG / COMPLETE AIR FILTER

| Serie | Configuration example 1: TA80 B 03 A 0 L 1 P01 | | | | | | | | |
|--|--|----|----|----|---|--|--|--|--|
| TA80 | Configuration example 2: TA80 G 10 A 2 P01 | | | | | | | | |
| Connections | | | | | | | | | |
| B Screwed flange with bayonet mount | G G 3/4" | | | | | | | | |
| D Weld flange with bayonet mount | N 3/4" NPT | | | | | | | | |
| Filtration rating | Connection: | B | D | G | N | | | | |
| 00 Without filter (blind filler plug) | | • | • | | | | | | |
| 03 Resin impregnated paper 3 µm | | • | • | • | • | | | | |
| 10 Polyurethane 10 µm | | • | • | • | • | | | | |
| Seals | | | | | | | | | |
| A NBR | | | | | | | | | |
| Valve | Filtration rating: | 00 | 03 | 10 | | | | | |
| 0 Without valve | | • | • | • | | | | | |
| 1 0.3 bar pressurization valve | | | • | • | | | | | |
| 2 0.7 bar pressurization valve | | | • | • | | | | | |
| 9 With anti-splash feature | | | • | • | | | | | |
| Version | Connection: | B | D | G | N | | | | |
| 0 Standard | | • | • | | | | | | |
| L With padlock tab | | • | | | | | | | |
| Basket | Connection: | B | D | G | N | | | | |
| 0 Without basket | | • | • | | | | | | |
| 1 With basket 80 mm | | • | | | | | | | |
| 3 With basket 100 mm | | | • | | | | | | |
| Execution | | | | | | | | | |
| P01 MP Filtri standard | | | | | | | | | |
| Pxx Customized | | | | | | | | | |

TA80
Screwed flange



TA80
Weld flange
Threaded connection

