

**BES 516-325-G-E5-C-S4**  
**Order code: BES00PY**

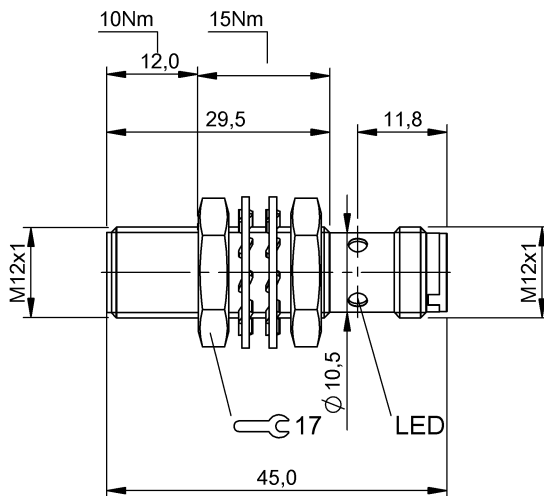
Inductive sensor

M12x1 x 45.0 mm

DC, direct current  
 PNP / Normally open (NO)  
 Sn = 4.00 mm  
 Flush (shielded) ■■

**BALLUFF**

sensors worldwide



**Sensing data**

Eff. operating distance Sr	4.00 mm
Tolerance Sr	±10 %
Assured operating distance Sa	3.20 mm
Hysteresis H max. (in % of Sr)	15.0 %
Repeat accur. R max. (% of Sr)	5.0 %
Ambient temperature Ta min.	-25 °C
Ambient temperature Ta max.	70 °C
Temp. drift max. (% of Sr)	10 %
Switching freq. f max. (at Ue)	2,000 Hz
Ready delay tv max.	21 ms
Utilization category	DC 13
Function indicator	Yes
Power indicator	No

**Electrical data**

Eff. operating voltage Ue DC	24.0 V
Operating voltage UB min. DC	10.0 V
Operating voltage UB max. DC	30.0 V
Ripple max. (% of Ue)	15 %
Voltage drop static max.	2.5 V
Rated insulation voltage Ui	250 VAC
Eff. operating current Ie	200 mA
Minimum operating current Im	0 mA
No-load current Io damped max.	6.0 mA
Max. no-load cur. Io undamped	3.0 mA
Off-state current Ir max.	10 µA
Short circuit protected	Yes

Protected against miswiring	Yes
Polarity reversal protected	Yes
Rated short circuit current	100 A
Output resistance Ra	33.0k + D
Load capacitance max. (at Ue)	0.500 µF

**Mechanical data**

Housing material	CuZn
Surface protection	Nickel-free coating
Tightening torque	10 Nm / 15 Nm
Sensing face material	LCP
Mounting length	30.0 mm
Connection type	Connector
Connector type	M12x1-S04
Degree of protec. per IEC60529	IP68 according to BWN PR 20
Protection Class	II
Shock rating	Shock, half-sinus, 30 gn, 11ms
Vibration rating	55 Hz, 1 mm ampl., 3x30 min
Degree of contamination	3

**Approval**

Approvals / Conformity	CE cULus
------------------------	-------------

**Remarks**

The sensor is functional again after the overload has been eliminated.

Basic standard	IEC 60947-5-2
----------------	---------------



IND. CONT. EQ  
 8102  
 for use in the secondary of  
 a class 2 source of supply  
 Environmental - Type 1 Enclosure

Definitions see general catalog

000000118078/2 18998/20140721

www.balluff.com

Balluff Germany: +49 7158 173-0, +49 7158 173-370  
 Balluff USA: +1-800-543-8390  
 Balluff China: +86 21 5089 9970

1 (2)  
 Print Date: 24.03.2015  
 Selection date: 24.03.2015

**BES 516-325-G-E5-C-S4**  
Order code: **BES00PY**

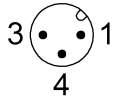
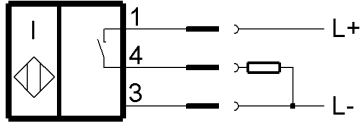
Inductive sensor

M12x1 x 45.0 mm

DC, direct current  
PNP / Normally open (NO)  
Sn = 4.00 mm  
Flush (shielded) ■■

**BALLUFF**  
*sensors worldwide*

Subject to change without notice.



000000118078/2 18998/20140721