

**PCA T8 ECO Ip xitec II, 18 – 58 W**

ECO T8

**Product description**

- \_ Processor-controlled ballast with xitec II inside
- \_ Highest possible energy class CELMA EEI = A1 BAT <sup>①</sup>
- \_ Noise-free precise control via DALI or DSI signal, switchDIM or corridorFUNCTION
- \_ Nominal life-time up to 100,000 h (at ta 50 °C with a failure rate ≤ 0.2 % per 1,000 h)
- \_ Multilamp management
- \_ OEM-specific reserved memory areas
- \_ 5-year guarantee

**Interfaces**

- \_ DALI
- \_ DSI
- \_ switchDIM (with memory function + selectable dimming rate)
- \_ corridorFUNCTION (3 preprogrammed profiles)
- \_ Integrated SMART interface for function with SMART Sensor 5D 19f and corridorFUNCTION plugs
- \_ SMART interface for SMART plug cF – for setting the corridorFUNCTION profiles
- \_ SMART interface for SMART sensor with daylight control

**Functions**

- \_ Intelligent Temperature Guard (overtemperature protection)
- \_ Intelligent Voltage Guard (overvoltage indication and undervoltage shutdown)
- \_ Optimum filament heating in any dimmer setting
- \_ Disconnection of filament heating from a dimming level of approx. 90 % for maximum energy efficiency (SMART-Heating concept)
- \_ corridorFUNCTION with ambient light control
- \_ Automatically triggered emergency lighting value in DC mode, 15 %
- \_ For emergency lighting systems as per EN 50172
- \_ Automatic start after replacement of defective lamps
- \_ Automatic shutdown if the lamp is faulty

<sup>①</sup> According to the EU directives on ecodesign requirements (EC) No. 245/2009 and (EC) No. 347/2010.

**Website**

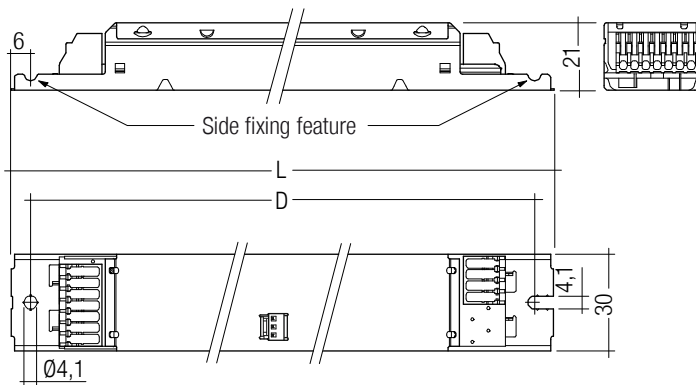
<http://www.tridonic.com/28000039>



## PCA T8 ECO Ip xitec II, 18 – 58 W

ECO T8

The complete data sheet for this product is available in the Downloads section.



## Ordering data

Type	Article number	Packaging, carton	Packaging, pallet	Weight per pc.
<b>For luminaires with 2 lamps</b>				
PCA 2x36 T8 ECO Ip Xitec II	28000039	10 pc(s).	760 pc(s).	0,256 kg

## Technical data

Mains voltage range	220 – 240 V
AC voltage range	198 – 264 V
DC voltage range	176 – 280 V (lamp start $\geq$ 198 V DC)
Mains frequency	0 / 50 / 60 Hz
Overvoltage protection	320 V AC, 1 h
Typ. power input on stand-by	< 0.2 W
Protective hot restart	0.5 s for AC / 0.2 s for DC
Dimming range	1 – 100 %
Lamp start possible from	1 %
Operating frequency	~ 40 – 130 kHz
Type of protection	IP20

## Approval marks



## Standards

EN 55015, EN 60929, EN 61000-3-2, EN 61347-2-3, EN 61547, Acc. to EN 50172 for emergency light installations, IEC 60929, IEC 61000-3-2, IEC 61347-2-3, IEC 61547, IEC 62386 (according to DALi standard V1)

## Specific technical data

Lamp wattage	Lamp type	Type	Article number	Dimensions L x W x H	Hole spacing D	Lamp power <sup>②</sup>	Circuit power <sup>②</sup>	EEL	Current at 230 V, 50 Hz <sup>③</sup>	$\lambda$ at 230 V, 50 Hz	t <sub>c</sub> point max.	Ambient temperature t <sub>a</sub> <sup>③</sup>
<b>For luminaires with 2 lamps</b>												
2 x 36 W	T26 (T8)	PCA 2x36 T8 ECO Ip Xitec II	28000039	360 x 30 x 21 mm	350 mm	64 W	70.0 W	A1 BAT	0.31 A	0.97	80 °C	-25 ... +60 °C

② Valid at 100 % dimming level.

③ +10 °C to t<sub>a</sub> max: unrestricted dimming. -25 °C to +10 °C: unrestricted dimming from 100 % to 30 %. -25 °C to +10 °C, dimming below 30 %: malfunction possible but no damage to ECG. This applies to AC and DC operation.