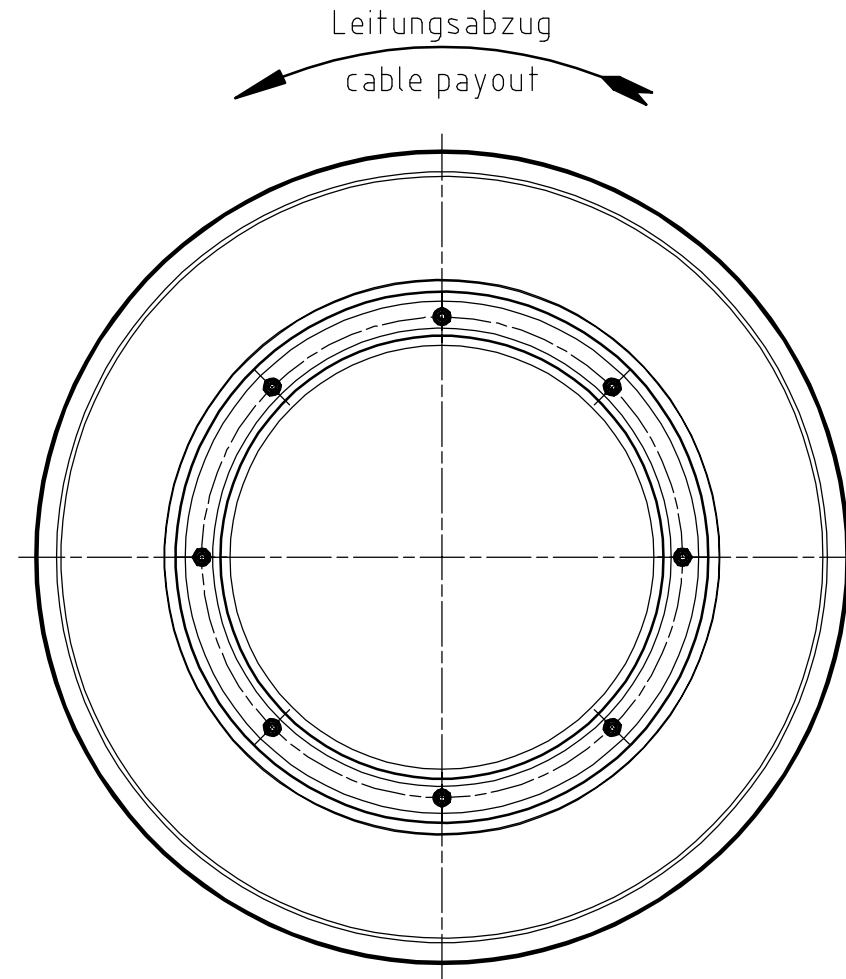
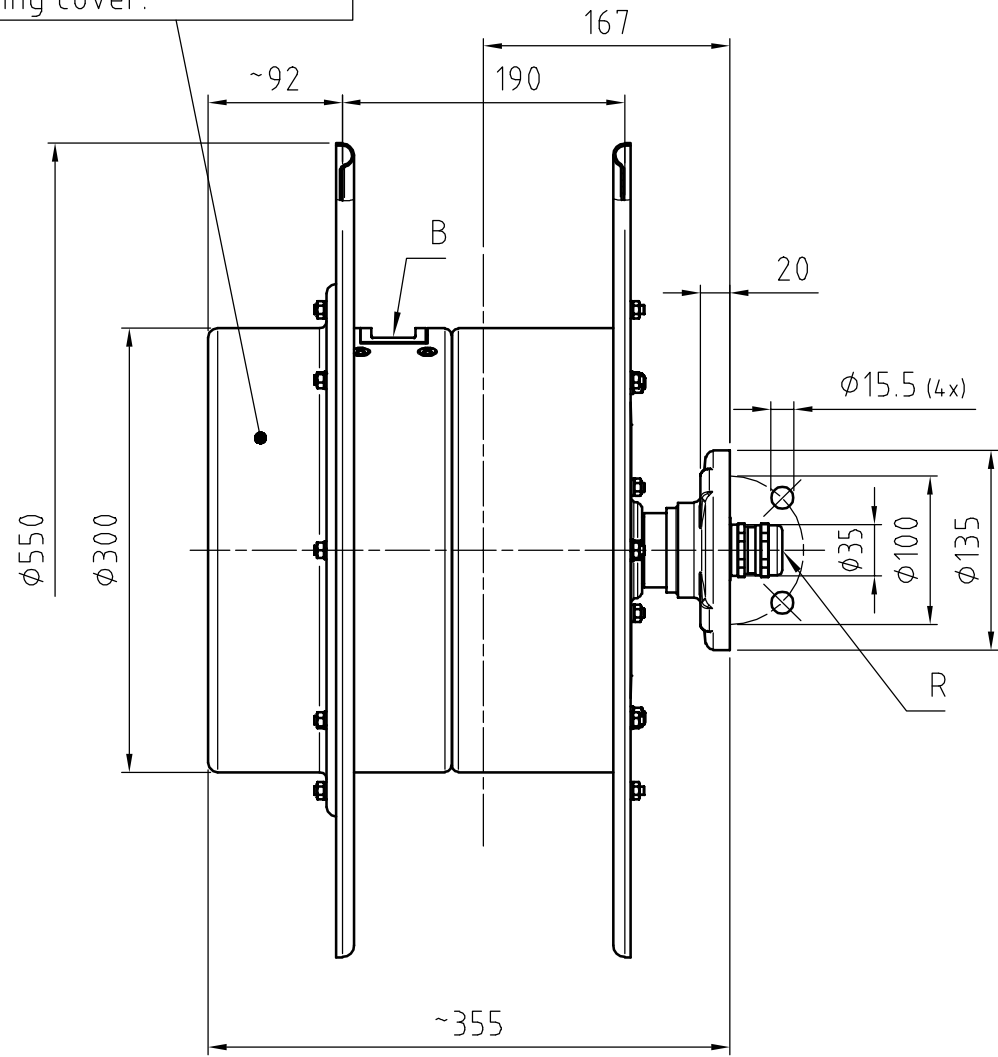


Achtung!  
 Platz zum Abnehmen der  
 Schleifringabdeckung beachten.  
 Attention!  
 Needed space for removing  
 the slip ring cover.



R= Leitungseinführung zu den Ringen  
 B= Leitungseinführung zu den Bürsten  
 R= Cable entry to the rings  
 B= Cable entry to the brushes  
 3 Pole + PE 60A, 500V

Revision		Date		Attention! Proprietary notice pursuant to ISO 16016		Scale: 1:5	Weight:
01		15.02.2010		Seitz		Ref.-No.:	Project- / Com.-No.
Edit		15.02.2010		Petermann		Description	
Reviewed		15.02.2010		Petermann		Federleitungstrommel / cable reeling drum	
Cond.		Revision		Date		Name	
Dimensionen without tolerances DIN ISO 2768-1 m		Surface data - Rz in $\mu\text{m}$		Signification		Drawing no	
0,5 up to 6 $\pm 0,1$		unrated		old		V902312	
above 6 up to 30 $\pm 0,2$		roughing		new		sheet dimension	
above 30 up to 120 $\pm 0,3$		smoothing		Rz100		DIN	
above 120 up to 400 $\pm 0,5$		hone		Rz25		A3	
above 400 up to 1000 $\pm 0,8$				Rz6,3		Replacem. for:	
above 1000 up to 2000 $\pm 1,2$						Replaced through:	
above 2000 up to 4000 $\pm 2,0$							

