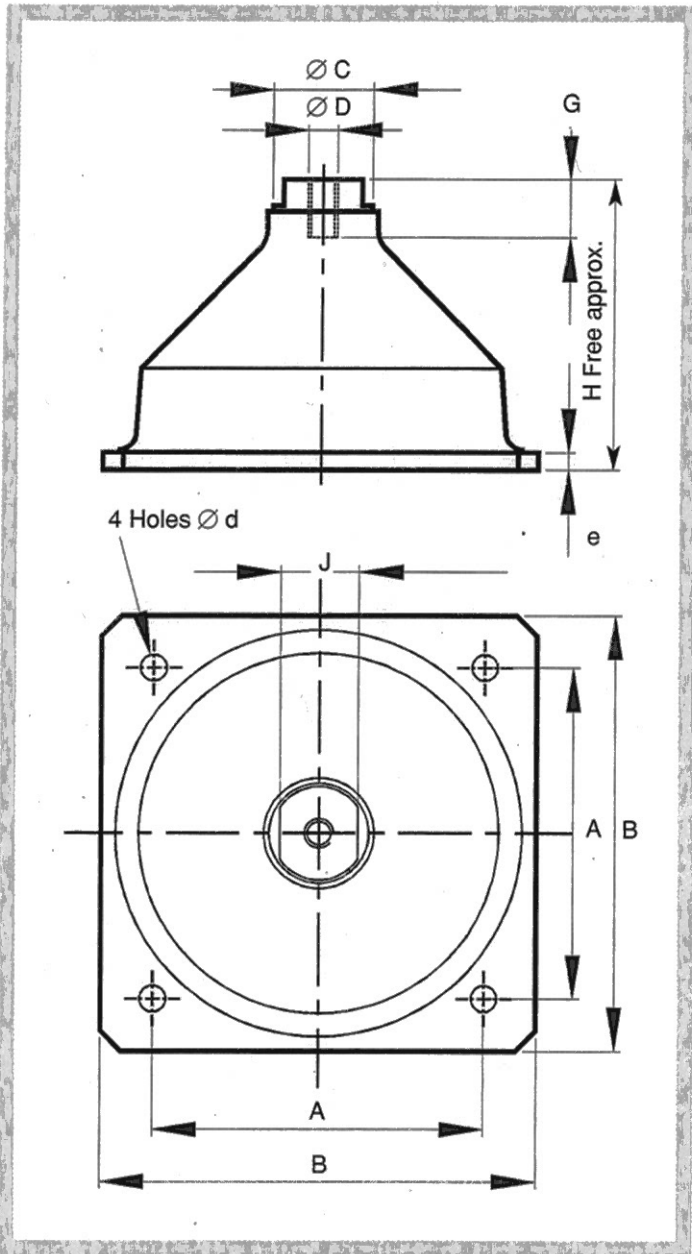


# E1N 3341



Elastomer isolator with excellent mechanical performances.

## DESCRIPTION:

- elastomer bonded to a non magnetic stainless steel base and centre boss;
- protection : against ozone;
- isolator weight : approx. 3.3 kg ( 7.275 lb).

## PRINCIPAL CHARACTERISTICS:

- maximum sinusoidal input amplitude at resonance frequency  $\pm 5$  mm;
- resonance frequencies for this maximum input at ambient temperature :
  - . axial : 5 to 15 Hz depending on load
  - . radial : 4 to 12 Hz depending on load
- damping : good;
- maximum displacement in shock condition :
  - . axial and radial : 45 mm (1.77 in)
- structural strength corresponding to a continuous acceleration of 5 g at maximum load;
- operating temperature : - 20°C to + 70°C  
( - 4°F to + 158°F )

## APPLICATIONS:

- isolation of marine propulsion engines and auxiliaires;
- isolation of marine and land generator sets;
- protection of electrical or electronic equipment on board or on land.

	A	B	ØC	Ød	e	G	H	J
mm	114	150	34	9	5	20	100	27
in	4.49	5.91	1.34	0.35	0.2	0.78	3.94	1.06

PART NUMBERS		LOAD RANGE	Ø D
E1N - 3341 - 01	kg lb	15 - 60 33.07 - 132.28	M10
E1N - 3341 - 11	kg lb	15 - 60 33.07 - 132.28	M12
E1N - 3341 - 02	kg lb	25 - 100 55.12 - 220.45	M10
E1N - 3340 - 12	kg lb	35 - 140 77.16 - 308.65	M12

# STOP-CHOC



## Last-Weg-Diagramm

Dämpfer E1N 3341-02

stat. Belastung: Zug, vertikal

$\frac{F}{\text{daN}}$

400

300

200

100

50

0

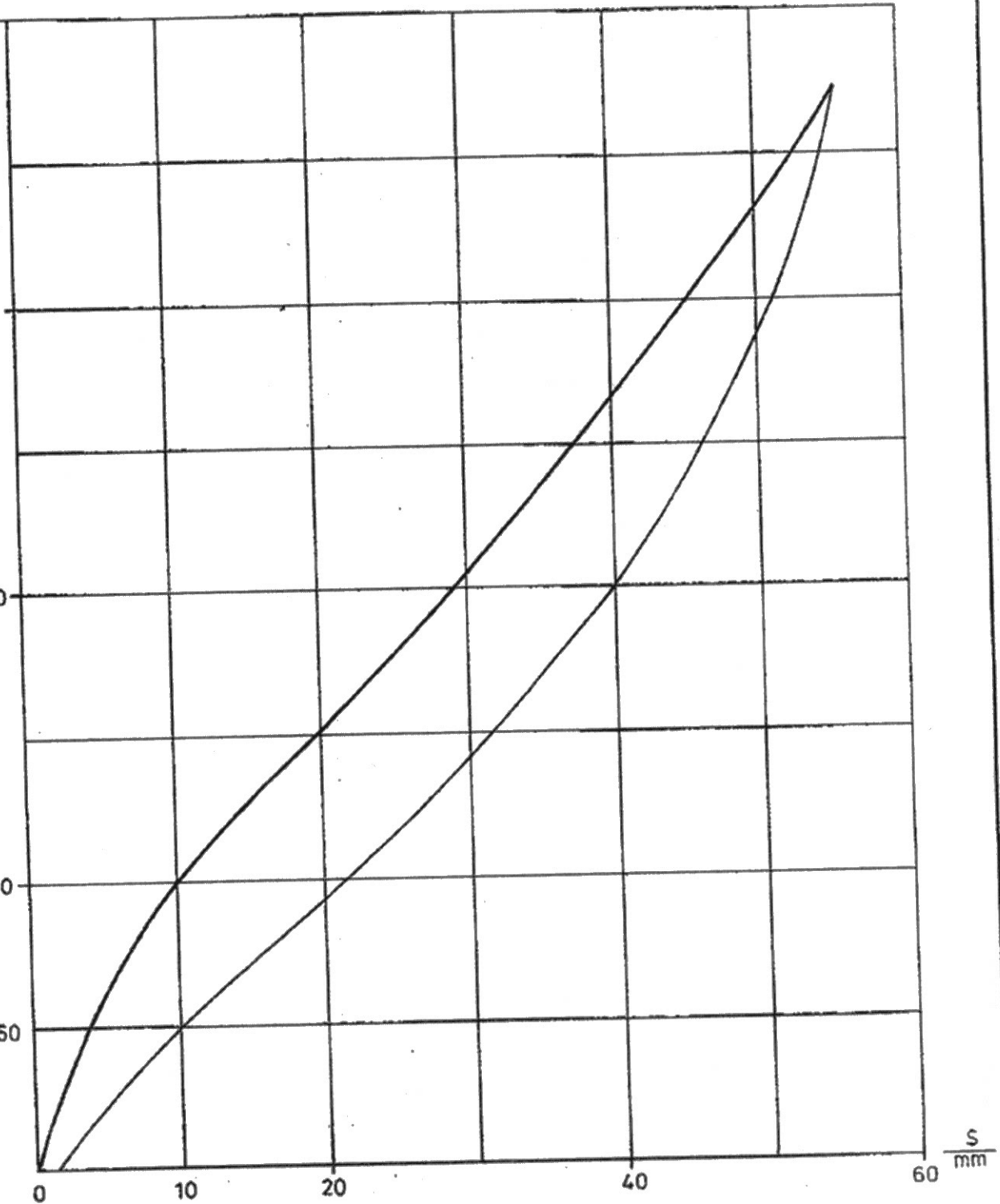
10

20

40

60

$\frac{s}{\text{mm}}$



Stop-choc Schwingungstechnik GmbH & Co. KG · Postfach 1265 · D-71265 Heiningen · Telefon (0 71 59) 92 19-0 · Telefax (0 71 59) 92 19-19

14-05

29.01.99 11:48

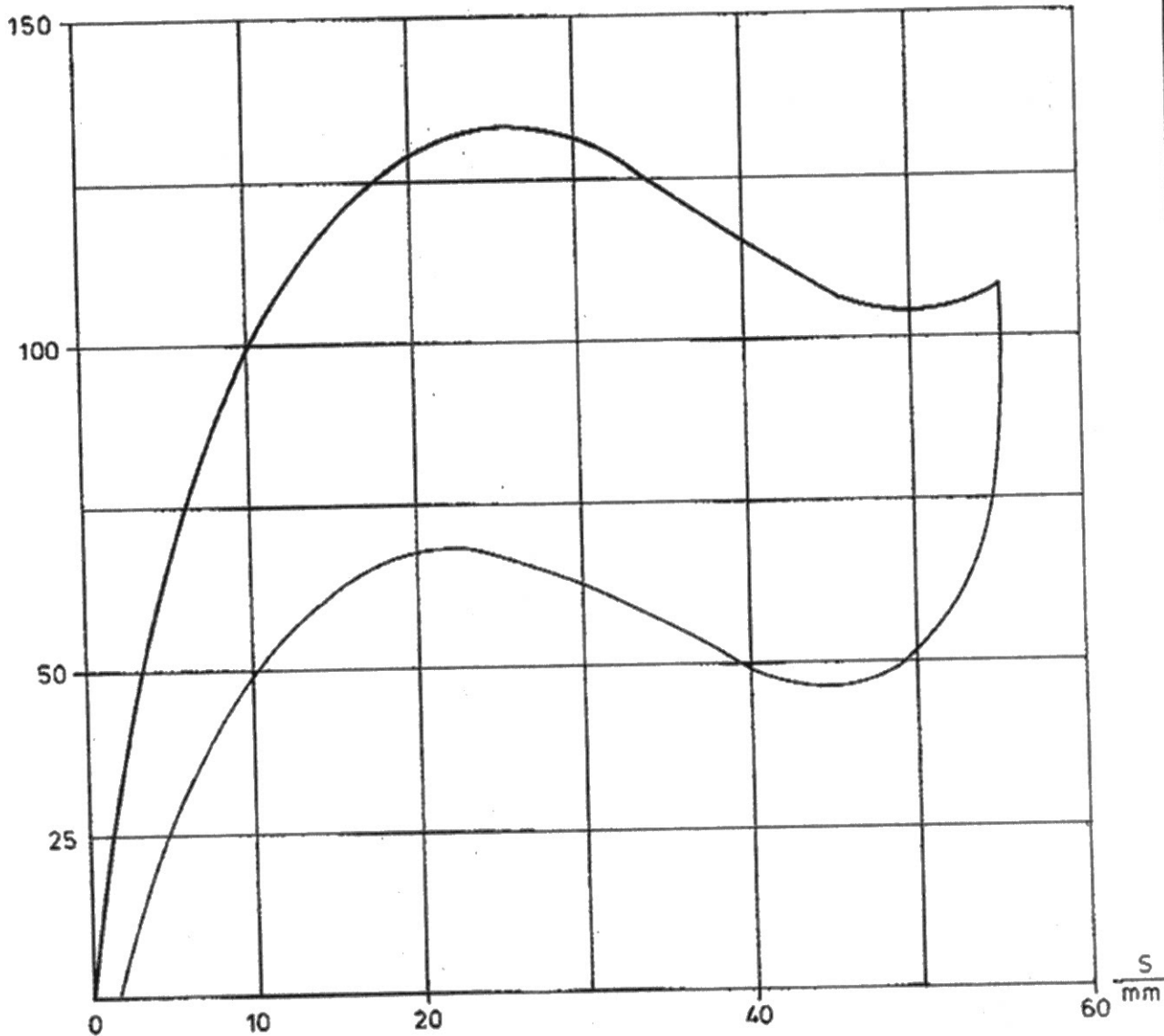
918 P05

49 7159 921919 STOP-CHOC SCHWINGUNGSTECHNIK



stat. Belastung: Druck, vertikal

$\frac{F}{\text{daN}}$



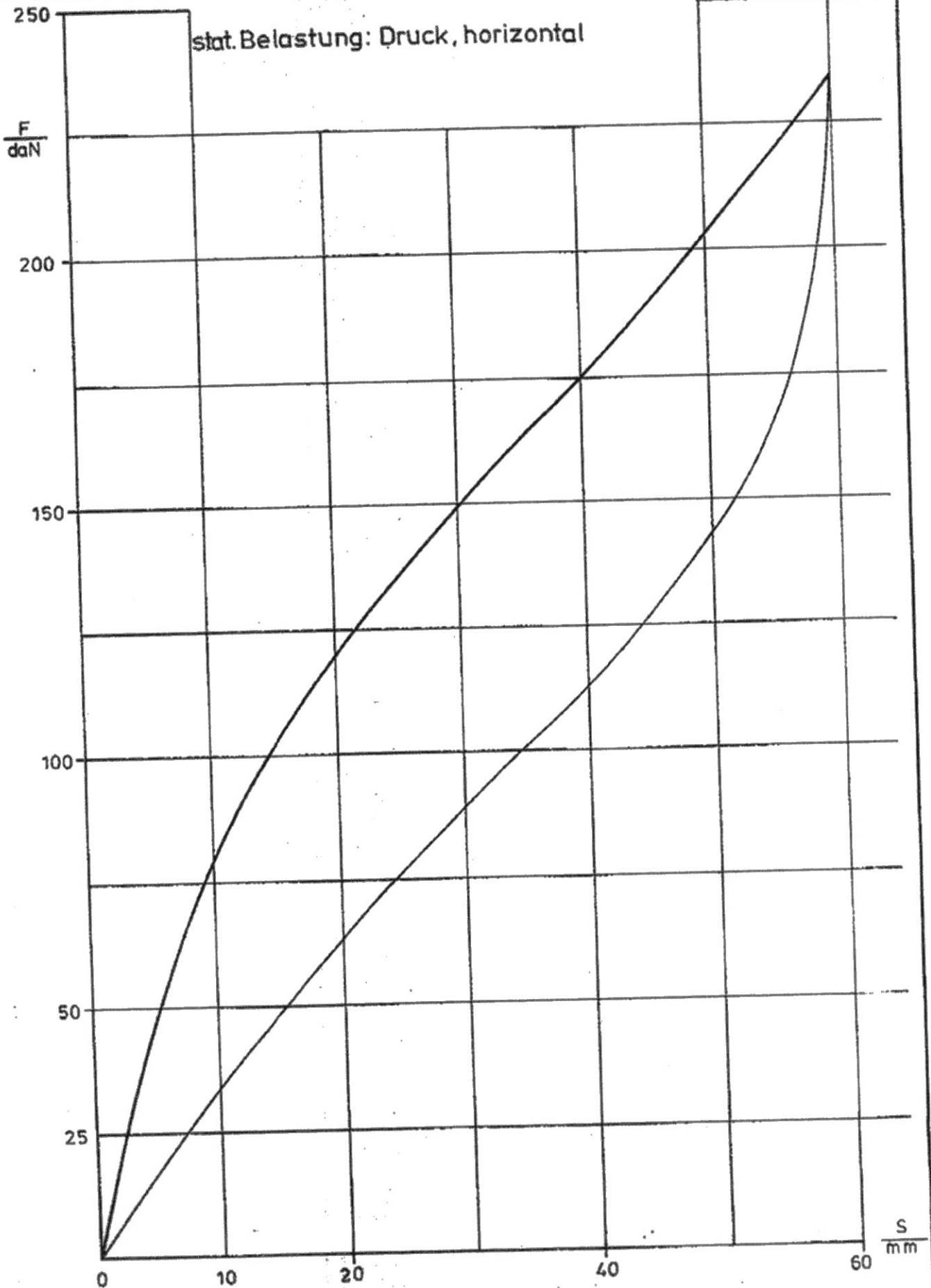
# STOP-CHOC



## Last - Weg - Diagramm

Dämpfer E1N 3341-02

stat. Belastung: Druck, horizontal



Stop-choc Schwingungstechnik GmbH & Co. KG · Postfach 1265 · D-71265 Remlingen · Telefon (0 71 59) 92 19-0 · Telefax (0 71 59) 92 19-19

11:49

29.01.99

918 P07

49 7159 921919 STOP-CHOC SCHWINGUNGSTECHNIK