

Basic features

Approval/Conformity	CE EAC cURus cULus WEEE
Basic standard	EN 61204
Series	Standard
Short description	Switching power supply
Version	DIN rail

Electrical connection

Connection	0.25...2.5 mm ²
-------------------	----------------------------

Electrical data

Derating	-1.0%/°C -10°C to 20°C -1.67 %/°C +40 °C / 115 V AC -2.5 %/°C +50 °C / 230 V AC
Efficiency typ.	89 %
Hold-up time	≥ 16 ms typ. at 115 V AC ≥ 60 ms typ. at 230 V AC
Input fuse	F 5 AH
Input voltage	100...240 V AC, 1-phase
Input voltage	85...264 V AC
Input/output insulation voltage	3000 V AC
Inrush current	≤ 50 A at 230 V AC
Isolation resistance	≥ 100 MOhm
Output power max.	75 W
Output voltage	24 VDC
Output voltage, tolerance	+1 %
Protection class	I
Rated input current	1.4 A at 115 V AC 0.9 A at 230 V AC
Rated output current	3.12 A
Setting range	21.6...26 V DC
Settling time	2 ms
Turn-on time max.	1 s
Working frequency	47...63 Hz

Switching Power Supplies
BAE PS-XA-1W-24-025-016
Order Code: BAE0111

BALLUFF

Environmental conditions

Ambient temperature	-20...70 °C
Contamination scale	2
Cooling	Free convection
EN 60068-2-27, Shock	Half-sinus waves: 11 ms (10 G), x-axis
EN 60068-2-6, Vibration	Sine-wave: 10Hz till 500Hz, acceleration 19,6m/s ² (2g top) 10 min/cycle, 60 min., X-axis
Over temperature	protected
Protection degree	IP20

Relative humidity	20...95 %, non-condensing
Storage temperature	-40...85 °C
Temperature coefficient max.	±0.03 %/K

Material

Housing material	Plastic
------------------	---------

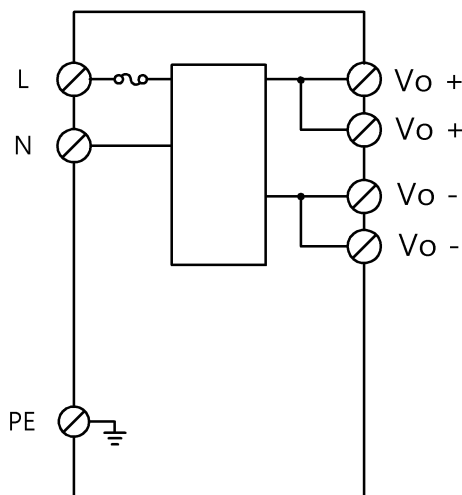
Mechanical data

Dimension	27 x 123.6 x 102 mm
Mounting	DIN rail mount
Weight	0.22 kg

Remarks

Values measured at +25 °C and full load.

Wiring Diagrams



L