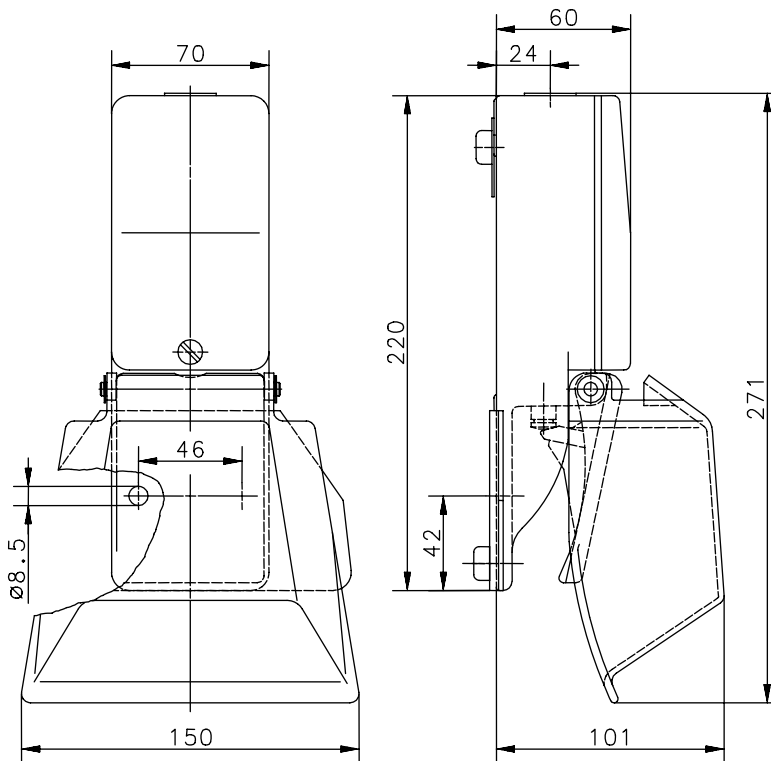
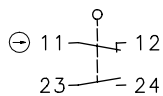


### Series F1

Description **F1-U1Z UK**

Article number **6161600071**

#### Switching symbol



#### Electrical data

Rated insulation voltage	$U_i$	400 VAC
Conv. thermal current	$I_{the}$	10 A
Rated operational voltage	$U_e$	240 V
Utilization category		AC-15, $U_e/I_e$ 240 V / 3 A
Direct opening action	$\ominus$	acc. to IEC/EN 60947-5-1, Annex K
Short-circuit protective device		Fuse 10 A gL/gG
Protection class		I

This document will not become the contractual basis; the details included herein do not constitute any descriptions of expected conditions, so that warranties/claims for defects on account of possible variations of the actual qualities from the qualities described herein are explicitly excluded. All rights reserved. Specifications subject to change without notice!

Date of issue: 21.09.2007 / Page 1 of 2  
 Document: 6161600071\_en / Status: 1 / 2632-07

<b>Mechanical data</b>	
Enclosure	AL, die-cast
Cover	AL, die-cast, colour RAL 3016
Protective guard	AL, chill casting
Actuator	Foot lever (PA)
Ambient air temperature	-30 °C to +80 °C
Contact type	1 N.C, 1 N.O. (Zb)
Operating force – Pedal	approx. 10 N (pedal centre)
Mechanical life	10 x10 <sup>6</sup> operating cycles
Switching frequency	max. 50/min
Assembly	2 x M8
Connection	screw connections (M3,5)
Number of connections	4
Protection ground	2 x M4
Conductor cross-sections	Solid: 0,5 – 1,5 mm <sup>2</sup> Litz wire with or without ferrules: 0,5 – 1,5 mm <sup>2</sup>
Cable entrance	1 x M20x1,5
Weight	approx. 1,0 kg
Protection type	IP67 in accordance with IEC/EN 60529
<b>Regulations</b>	
	VDE 0660 T100, DIN EN 60947-1, IEC 60947-1 VDE 0660 T200, DIN EN 60947-5-1, IEC 60947-5-1
<b>EU Conformity</b>	
	<b>CE</b>
<b>Zulassungen</b>	
	BG

### Notes

The degree of protection specified (IP code) applies only to a properly closed cover and the use of an equivalent cable gland with adequate cable.