

Technical Data

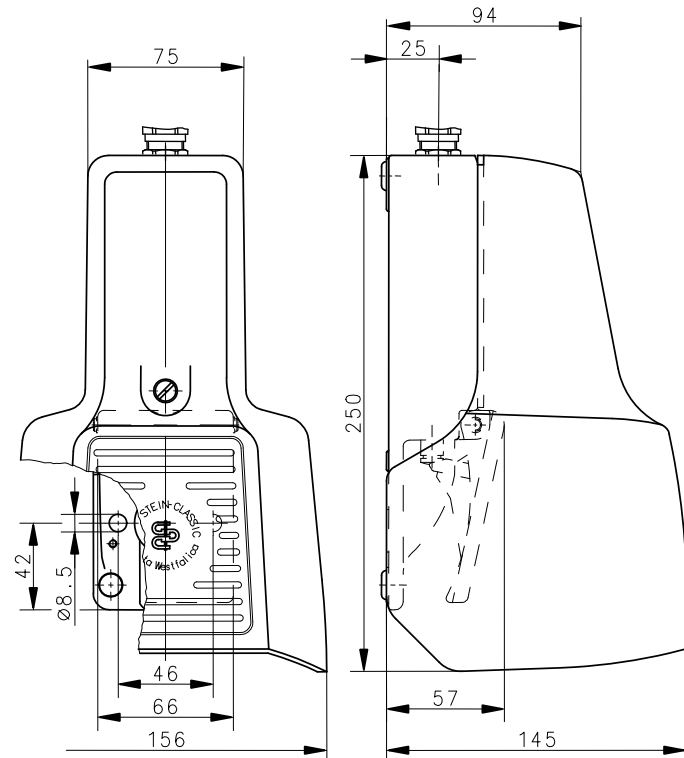
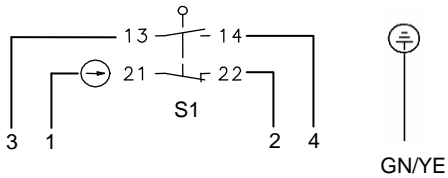
Foot-switch

Series F1 UN

Description **F1-SU1Z UN**

Article number **6161800739**

Switching symbol



Electrical data

| | | |
|---------------------------------|-----------|------------------------------|
| Rated insulation voltage | U_i | 400 V AC |
| Conv. thermal current | I_{the} | 10 A |
| Rated operational voltage | U_e | 240 V |
| Utilization category | | AC-15, U_e/I_e 240 V / 3 A |
| Positive opening NC contact | \ominus | IEC/EN 60947-5-1, Annex K |
| Short-circuit protective device | | Fuse 10 A gG |
| Protection class | | I |

This document will not become the contractual basis; the details included herein do not constitute any descriptions of expected conditions, so that warranties/claims for defects on account of possible variations of the actual qualities from the qualities described herein are explicitly excluded. All rights reserved. Specifications subject to change without notice!

Date of issue: 13.03.2013 / Page 1 of 2
Document: 6161800739_en / Last update: 1 / 2187-13

Technical Data

Foot-switch



| Mechanical data | |
|----------------------------------|---|
| Enclosure | AL, die-cast |
| Cover | AL, die-cast |
| Actuator | Foot lever (PA) |
| Ambient air temperature | -10 °C ... +80 °C |
| Contact type | 1 N.C., 1 N.O. (Zb) |
| Operating force | approx. 10N (pedal centre) |
| Mechanical life | 10 x10 ⁶ operating cycles |
| Switching frequency | Max. 50/min |
| Assembly | 2 x M8 |
| Connection | screw connections M3,5 |
| Number of connections | 8 (see switching symbol) |
| Protection ground | 2 x M4 |
| Conductor cross-sections | Solid: 0,5 – 1,5 mm ² Litz wire with or without ferrules: 0,5 – 1,5 mm ² |
| Cable entrance | M20 x 1,5 cable protective tube gland with 2 m PVC-cable protective tube and cable Lapp Ölflex 110, 10G0,5mm ² , 10 m long |
| Weight | approx. 2,1 kg |
| Protection type | IP65 in accordance with IEC/EN 60529 |
| ID for safety engineering | |
| B10d | 20 x 10 ⁶ switching cycles |
| Regulations | |
| | VDE 0660 T100, DIN EN 60947-1, IEC 60947-1 VDE 0660 T200, DIN EN 60947-5-1, IEC 60947-5-1 DIN EN 13849-1 |
| EU Conformity | |
| | acc. to directive 2006/42/EC |

Notes

The rated protection class (IP-Code) is valid only at closed protection guard and the use of an equivalent sealing of the cable protective tube and cable.

This document will not become the contractual basis; the details included herein do not constitute any descriptions of expected conditions, so that warranties/claims for defects on account of possible variations of the actual qualities from the qualities described herein are explicitly excluded. All rights reserved. Specifications subject to change without notice!

Date of issue: 13.03.2013 / Page 2 of 2
Document: 6161800739_en / Last update: 1 / 2187-13