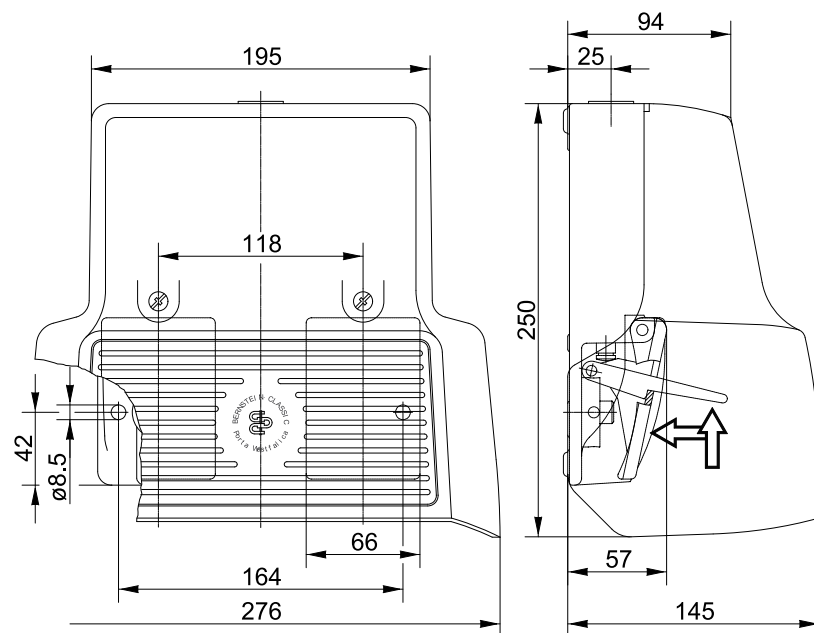


Foot-switch Series F2

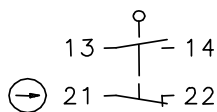
Description **F2-SU1ZAT/SU2ZDAT UN**

Article number **6162930689**

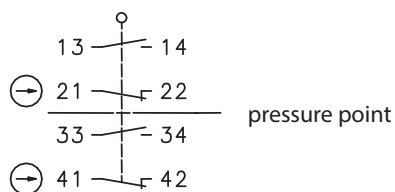


Operating symbol

Pedal left



Pedal right



Electrical data

Rated insulation voltage	U_i	400 V AC
Conv. thermal current	I_{the}	10 A
Rated operational voltage	U_e	240 V
Utilization category		AC-15, U_e 240 V / I_e 3 A
Direct opening action	\ominus	acc. to IEC/EN 60947-5-1, Annex K
Short-circuit protective device		Fuse 2 A gG
Protection class		I

Mechanical Data	
Enclosure	AL, die-cast
Cover	AL, die-cast
Actuator	Foot lever (PA)
AT (Pedal lock function)	Protection against unintentional actuation
Ambient air temperature	-30 °C ... +80 °C
Contact type	3 N.C. / 3 N.O. (Zb)
Operating force	≈ 10 N (pedal centre)
Pressure point	≈ 30 N
Mechanical life	
without actuating the pressure point	10 x 10 ⁶ switching cycles
with actuating the pressure point	1 x 10 ⁶ switching cycles
Switching frequency	≤ 50/min
Assembly	2 x M8
Connection	screw terminals (M3,5)
Number of connections	12 (see operating symbol)
Protection ground	2 x M4
Conductor cross-sections	Solid: 0,5 – 1,5 mm ² Litz wire with or without ferrules: 0,5 – 1,5 mm ²
Cable entry size	1 x M20 x 1,5
Weight including cover	≈ 2,8 kg
Protection type	IP 65 acc. to IEC/EN 60529

Standards
VDE 0660 T100, DIN EN 60947-1, IEC 60947-1
VDE 0660 T200, DIN EN 60947-5-1, IEC 60947-5-1

EU Conformity
acc. to directive 2006 / 95 / EC

Notes
The specified protection classification (IP code) applies only when the cover is closed and the appropriate cable is used, in accordance with the clamping range of the above mentioned cable gland.