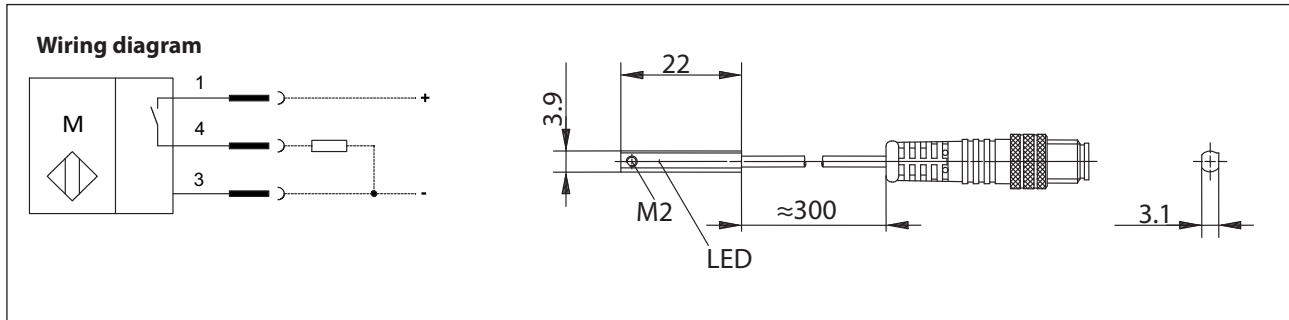


Electronic Magnetic Sensors Series E22

Description **MEK-E22PS/HP1-KL0,3S8**

Article number **6372281178**



Identifying characteristics in accordance with EN 60947-5-2

Electrical data	
Magnetic sensitivity	Factory setting 3 mT (south activated) adjustable 0,8 mT ... 27 mT (north / south activated)
Switching element function	DC, N.O., open collector
Repeat accuracy	R $\leq 0,1$ mT (constant U_B and ambient air temperature)
Differential travel (hysteresis)	H 0,8 mT
Operational voltage range	U_B 10 – 30 V DC
Rated insulation voltage	U_i 75 V DC
Voltage drop	U_d < 2 V @ 50 mA
Utilization category	DC-12
Rated operational current	I_e ≤ 50 mA
Leakage current	< 25 μ A
No-load supply current	I_o < 10 mA (not actuated)
Switching element	Hall
Short-circuit protection	pulsed
Mounting	from side or top into a C-Groove
False polarity protection	yes

Electromagnetic compatibility (EMC)	
Electromagnetic field test	IEC 61000-4-3
Electrostatic discharge test	IEC 61000-4-2
Electrical fast transient immunity test (Burst)	IEC 61000-4-4
Conducted disturbances, inducted by high frequency electromagnetic fields	IEC 61000-4-6
Radiated disturbance field strength	EN 55011

Mechanical data	
Enclosure	PA12, topaz
Ambient air temperature	-20 °C ... +80 °C (cable fixed mounted)
Type of protection	IP 67 acc. to IEC 529, EN 60529 (only in fully locked position with it's plugs)
Function indication	LED yellow, output indication / output activated
Termination type	Cable 0,3 m ± 5 %, PUR - Outer jacket, with plug connector M8
Attachment	1 x setscrew M2 x 3, DIN913
	1 x allen wrench
	1 x magnetic programming tool

EU Conformity	
	acc. to directive 2004 / 108 / EC