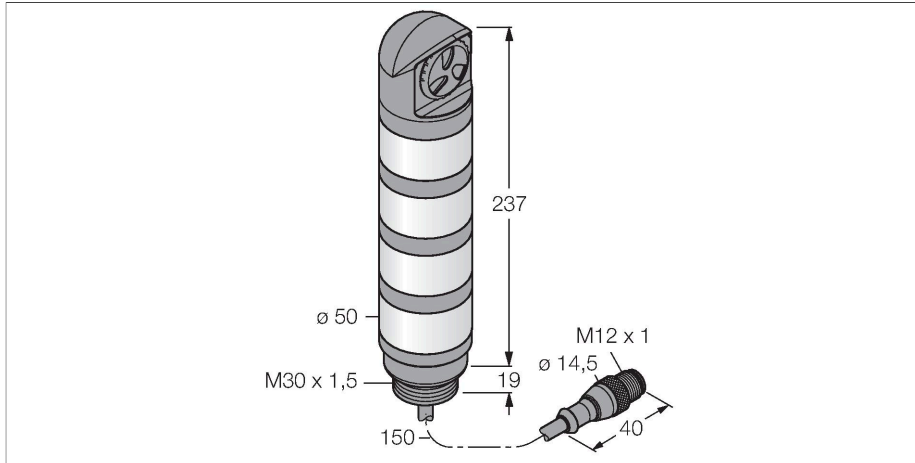


TL50GYRBALSCQP

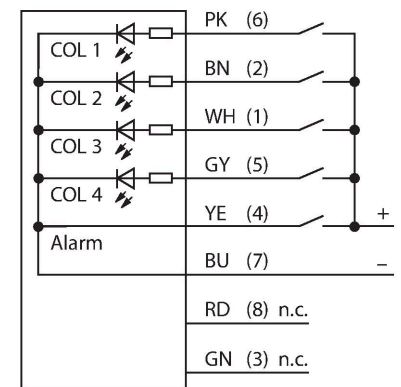
LED Indicator – Tower Light



Features

- Beeper
- Grey plastic housing
- EMI and RFI immune
- Protection class IP67
- Cable with male end M12 x 1, 150 mm
- Multicolor: Green (COL 1) / Yellow (COL 2) / Red (COL 3) / Blue (COL 4)
- Operating voltage: 18...30 VDC or 24 VAC with 45 mA per LED color
- Inputs: PNP/NPN
- Beeper: Sealed, continuous tone max. 94 dB

Wiring diagram



Functional principle

The TL50 tower lights provide highly visible status indicators and a clear user guidance within the entire system. They can be assembled from varicolored LEDs and are available with or without beeper. You can mount them directly on machines, in the cabinet or in locations to be monitored within the production lines.

The wiring diagram shows a PNP pin assignment.

There are 10 colors available blue (B), green (G), red (R), yellow (Y), white (W), turquoise (T), orange (O), violet (V), sky blue (S) and magenta (M), which specify the light sequence from bottom to top in the type code of the tower light. Example: TL50GYRQ, colors green, yellow and red arranged from bottom to top.

Technical data

Type	TL50GYRBALSCQP
ID	3025228
Signal and display data	
Purpose	LED indicator light
Function	Tower light
Light type	Green Yellow Red Blue
Dimmable	no
Features of color 1	Green, Permanently on, 23 lm
Features of color 2	Yellow, Permanently on, 5 lm
Features of color 3	Red, Permanently on, 7.5 lm
Features of color 4	Blue, Permanently on, 4.5 lm
acoustic signal	Continuous tone, 94 dB
Electrical data	
Operating voltage	18...30 VDC
DC rated operational current	≤ 45 mA
Operating voltage	21...27 VAC
Max. current consumption per color	45 mA
Max. current consumption of beeper	35 mA
Input type	Bipolar (PNP/NPN)
Response time typical	< 10 ms
Mechanical data	
Cascadable	No
Design	Smooth barrel, TL50
Dimensions	Ø 50 x 256.2 x 256.2 mm

Technical data

Housing material	Plastic, ABS, Grey
Window material	Polycarbonate, diffuse
Electrical connection	Cable with connector, M12 × 1, 0.15 m, PVC
Number of cores	8
Ambient temperature	-20...+50 °C
Relative humidity	0...95 %
Protection class	IP67
Tests/approvals	
Approvals	CE, UL listed

Accessories

Dimension drawing	Type	ID	
	RKC8T-2/TEL	6625130	Connection cable, M12 female, straight, 8-pin, cable length: 2 m, jacket material: PVC, black; cULus approval; other cable lengths and qualities available, see www.turck.com
	WKC8T-2/TEL	6625133	Connection cable, M12 female connector, angled, 8-pin, cable length: 2 m, jacket material: PVC, black; cULus approval; other cable lengths and qualities available, see www.turck.com