

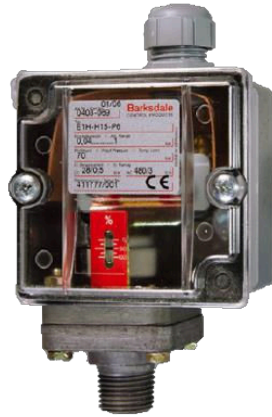


Teddington

Teddington DBG obsolete

From Q1 2018

NEW



Pressure Ranges

* Designed for 70 bar proof pressure, for practical production reasons, however, the standard proofing pressure is 30 bar.

Pressure range code	Adjustment range [bar]		Max. operating pressure [bar]	Proof pressure [bar] * (short term)	Max. hysteresis of switch types in bar (end of range)	
	Increasing press.	Decreasing press.			H, GH [bar]	M, [bar]
Pressure switches						
15	0.10 ... 1.0	0.04 ... 1.0	46	30 / 70	0.08	0.080
90	0.80 ... 6.0	0.20 ... 5.0	46	30 / 70	0.55	0.680
250	2.10 ... 17.0	0.70 ... 16.0	46	30 / 70	1.37	1.440
500	3.70 ... 34.0	1.72... 32.0	46	30 / 70	1.93	2.750

Electrical Ratings

Micro switch	Special features	Volt AC 50/60 Hz	Ind. load A	Res. load A	Volt DC	Ind. load A	Res. load A	Comments
H	Micro switch with silver contacts	125 250	10 10	10 10	6 to 24	0.50	0.5	Small hysteresis; High AC / low DC loads
M	Micro switch with silver contacts	125 250	10 10	10 10	12 24 250	5.00 1.00 0.25	15.0 2.0 0.4	Medium hysteresis; High AC and DC loads



Technical Details

Pressure Safety Only (Single Switch with Setting Scale)

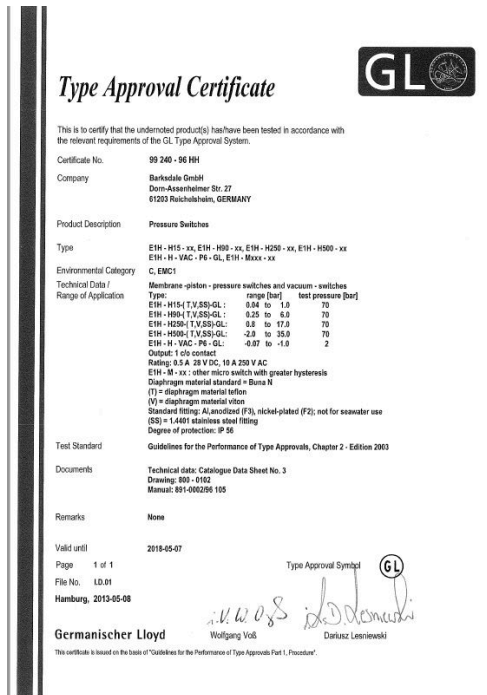
Model	Range Bar	Mid Range Differential Bar Nominal	Max Pressure Bar	Pressure Connection
TB1	0.2 – 3.5	0.5	25	1/4" BSPF
TB3	10 – 32	3.2	50	
TB4	30 – 52	5.5	80	
TB5	2 – 18	2.0	35	

Switch Ratings (Single pole double throw changeover)

Volts	DC Amps		AC Amps	
	Res	Ind	Volts	Res
12	15	15	12	15
24	10	10	24	10
125	0.5	0.05	125	0.5
250	0.25	0.03	250	0.25

Replacement part number and pricing

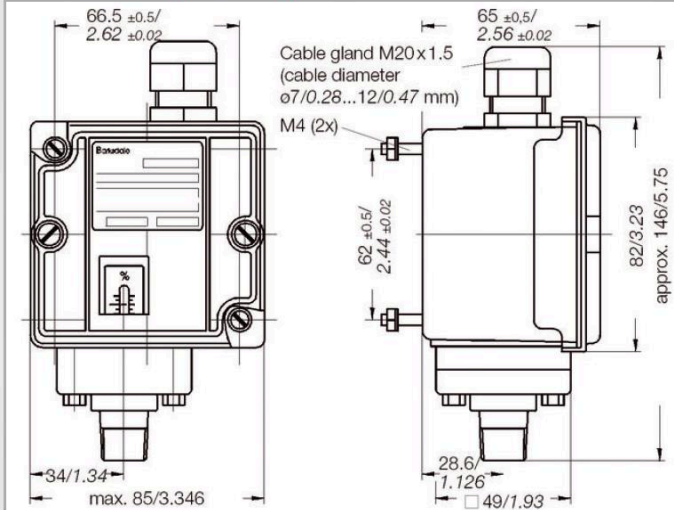
TEDDINGTON	BARKSDALE	Info Barksdale	New part no
DBG/TB/1	E1H-M90-GL	0,8-6 bar, NBR seal, female G1/4,	50-E1H-TB1
DBG/TB/3	E1H-M500-GL	3,7-34 bar, NBR seal, female G1/4,	50-E1H-TB3
DBG/TB/5	E1H-M250-GL	2,1-17 bar, NBR seal, female G1/4,	50-E1H-TB5



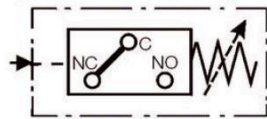
- Ships approval GL
- Nickel plated fitting
- Process connection G1/4 female
- High AC and DC loads
- Repeatability ±1%
- Switching rate max 20/min
- Temperature range -30...+70°C+
- Protection class IP65
- Weight approx 0,7 kg
- On stock for immediate delivery!!

NEW

Dimensions (mm / inch)



Switching code (contact status at atmospheric pressure)



C=brown
NC=orange
NO=black

Pressure Models

