

Cable Glands, Plastic

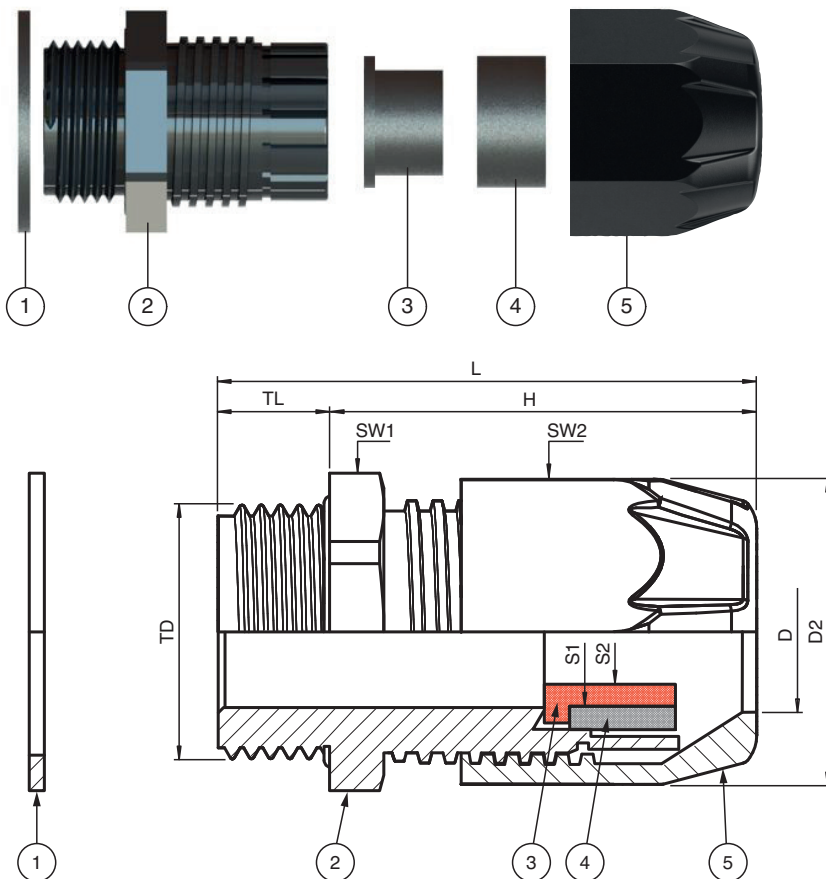
CG.PEDS1.M50.PA.C.18.K05



- For cables without armor
- Thread M50
- Thread length 18 mm
- Ex eb and Ex tb certified
- High impact-resistant polyamide material
- Seal chloroprene
- Suitable for operation in Zone 1, Zone 2, Zone 21 and Zone 22
- Very large clamping range due to double sealing insert
- Full impact resistance of 7 J according to IEC/EN 60079-0 for the full range without limitations
- Packaging unit: 5 pieces, without accessories



Dimensions



Release date: 2022-06-08 Date of issue: 2022-06-08 Filename: 291353_eng.pdf

Refer to "General Notes Relating to Pepperl+Fuchs Product Information".

Pepperl+Fuchs Group
www.pepperl-fuchs.com

USA: +1 330 486 0002
pa-info@us.pepperl-fuchs.com

Germany: +49 621 776 2222
pa-info@de.pepperl-fuchs.com

Singapore: +65 6779 9091
pa-info@sg.pepperl-fuchs.com

PF PEPPERL+FUCHS

Dimensions

Details see data table

| Legend | |
|--------|--|
| 1 | Flat gasket |
| 2 | Gland body basis |
| 3 | Seal insert S3 |
| 4 | Seal insert S2 |
| 5 | Cap nut |
| | |
| D | Clamping range, cable sheath diameter |
| D2 | Width across corners |
| H | Length outside enclosure |
| L | Total length |
| S* | Clamping range, seal insert combinations |
| SW* | Width across flats |
| TD | Thread size |
| TL | Thread length |

Technical Data

Mechanical specifications

| | |
|-------------------------------------|---------------------------------|
| Cable type | non-armored cables |
| Clamping range (D) | 22 ... 38 mm |
| Seal combination S1 | 31 ... 38 mm |
| Seal combination S1+S2 | 22 ... 31 mm |
| Thread type | metric ISO pitch 1.5 mm |
| Thread size (TD) | M50 |
| Degree of protection | IP66 / IP68 |
| Material | |
| Endcaps | black |
| Finish | inherent color black |
| Cable gland | high impact-resistant polyamide |
| Washer gasket | flat chloroprene gasket |
| Seal insert | chloroprene |
| Mass | |
| Individual component | approx. 93 g |
| Packing unit | approx. 465 g |
| Dimensions | |
| Width across corners (D2) | 67.8 mm |
| Diameter thru-hole (DT) | 50 ... 50.3 mm |
| Length outside enclosure (H) | 60.1 mm |
| Width across flats (SW1) | 60 mm |
| Width across flats (SW2) | 60 mm |
| Thread length (TL) | 18 mm |
| Total length (L) | 78.1 mm |
| Tightening torque | |
| Nut torque at enclosure (SW1) | 8 Nm |
| Nut torque 2 with seal S1 (SW2) | 22 Nm |
| Nut torque 2 with seals S1+S2 (SW2) | 18 Nm |
| Ambient conditions | |
| Ambient temperature | -40 ... 70 °C (-40 ... 158 °F) |

Data for application in connection with hazardous areas

Release date: 2022-06-08 Date of issue: 2022-06-08 Filename: 291353_eng.pdf

Refer to "General Notes Relating to Pepperl+Fuchs Product Information".

Pepperl+Fuchs Group
www.pepperl-fuchs.com

USA: +1 330 486 0002
pa-info@us.pepperl-fuchs.com

Germany: +49 621 776 2222
pa-info@de.pepperl-fuchs.com

Singapore: +65 6779 9091
pa-info@sg.pepperl-fuchs.com

 PEPPERL+FUCHS

Technical Data

| | |
|---------------------------------|--|
| EU-type examination certificate | IMQ 15 ATEX 006X |
| Marking | Ⓜ II 2 GD Ex eb IIC Gb Ex tb IIC Db |
| International approvals | |
| IECEX approval | IECEX IMQ 15.0001X |
| UKCA approval | CML 21 UKEX 31379X |
| INMETRO approval | DNV 20.0030 X |
| EAC approval | RU C-DE.AA87.B.00459/20 |
| CCC approval | 2021312313000450 |
| Conformity | |
| Degree of protection | EN 60529 |
| General information | |
| Delivery quantity | 5 |
| Scope of delivery | Cable glands brief instructions (1 copy) |
| Supplementary information | EC-Type Examination Certificate, Statement of Conformity, Declaration of Conformity, Attestation of Conformity and instructions have to be observed where applicable. For information see www.pepperl-fuchs.com . |
| Accessories | |
| Sealing plugs | BP.PDS.M50.PA |